

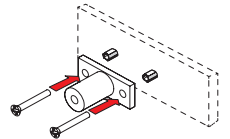
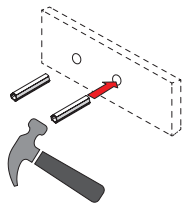
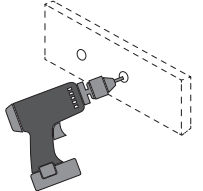
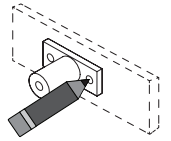
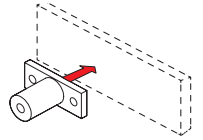
## Accessories

### Installation Guide

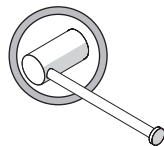
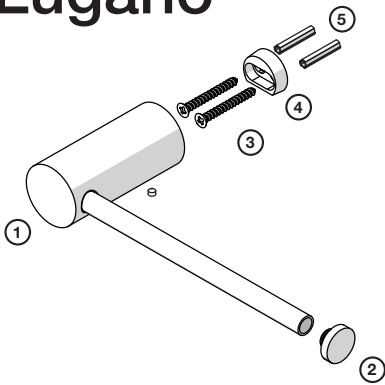
Ver 26.1

# Mounting Guide

- ① If there is no mounting bracket supplied for your accessory, skip to step 2. If a bracket is supplied, position it on the wall in the desired mounting location, preferably where a wall noggin is located.
- ② Mark the intended mounting points. If a bracket is supplied, do so using the bracket holes as a template. Ensure it is positioned straight and level on the wall.
- ③ Drill the mounting holes to suit the plastic plugs provided.
- ④ Tap plastic plugs into place and fit the accessory bracket over them through the appropriate holes.
- ⑤ Install screws through the plastic plugs into the wall. When appropriate, fit locking rings or collars over plastic plugs before installing screws. Install and tighten any grub screws supplied.

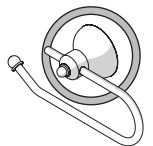
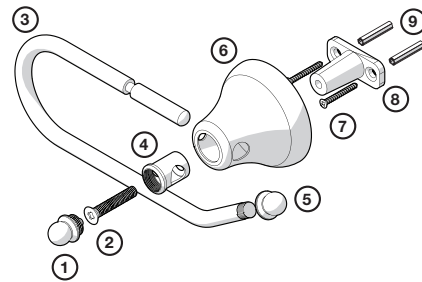


## Lugano



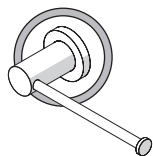
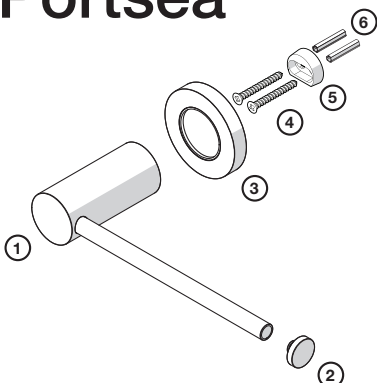
- ① Roll Holder Arm
- ② Arm End Cap
- ③ Wall Screws
- ④ Fixing Ring
- ⑤ Wall Plugs

## Bell



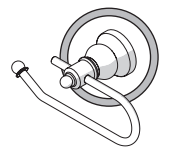
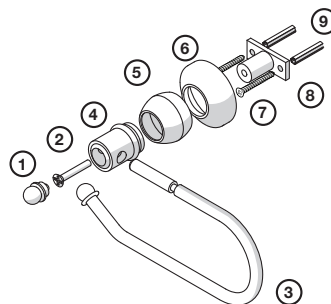
- ① Button
- ② Main Screw
- ③ Roll Holder Arm
- ④ Fixing Sleeve
- ⑤ Arm End Button
- ⑥ Wall Flange
- ⑦ Wall Screws
- ⑧ Wall Bracket
- ⑨ Wall Plugs

## Portsea



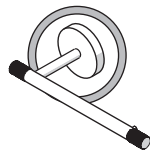
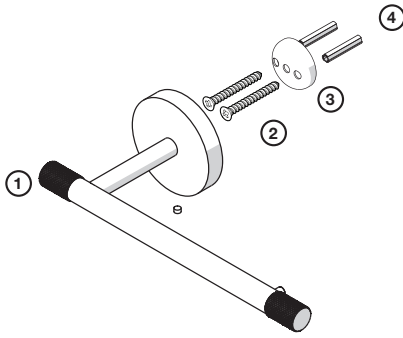
- ① Roll Holder Arm
- ② Arm End Cap
- ③ Wall Flange
- ④ Wall Screws
- ⑤ Fixing Ring
- ⑥ Wall Plugs

## Tudor



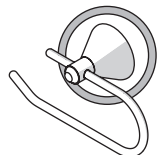
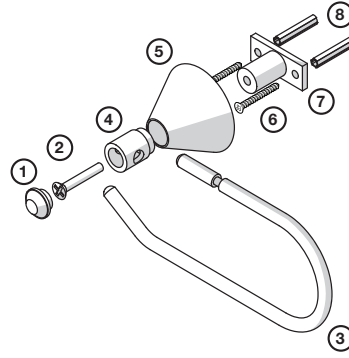
- ① Button
- ② Main Screw
- ③ Roll Holder Arm
- ④ Fixing Sleeve
- ⑤ Flange Barrel
- ⑥ Wall Flange
- ⑦ Wall Screws
- ⑧ Wall Bracket
- ⑨ Wall Plugs

# Elm



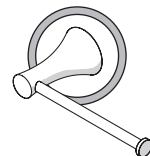
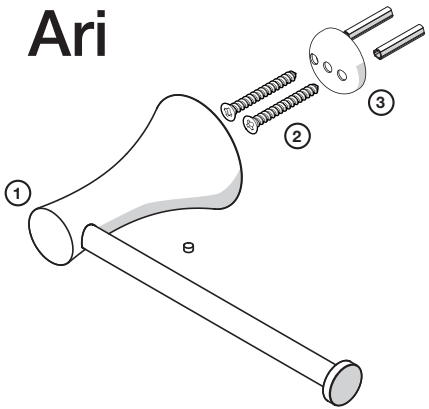
- ① Toilet Roll Holder
- ② Wall Screws
- ③ Fixing Ring
- ④ Wall Plug

# Forme



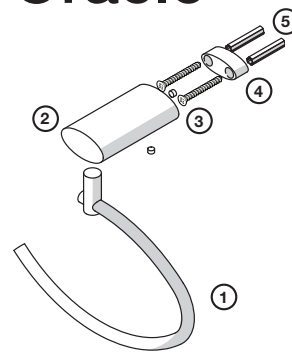
- ① Button
- ② Main Screw
- ③ Roll Holder Arm
- ④ Fixing Sleeve
- ⑤ Wall Flange
- ⑥ Wall Screws
- ⑦ Wall Bracket
- ⑧ Wall Plugs

# Ari



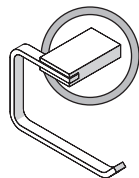
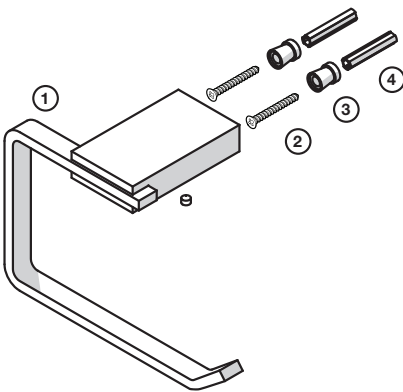
- ① Toilet Roll Holder
- ② Wall Screws
- ③ Fixing Ring
- ④ Wall Plug

# Oracle



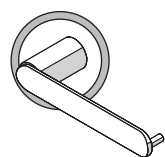
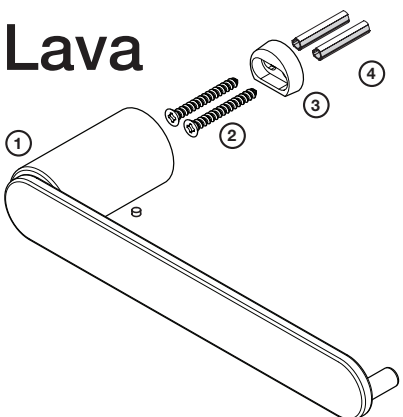
- ① Roll Holder Arm
- ② Cover Sleeve
- ③ Wall Screws
- ④ Screw Bracket
- ⑤ Wall Plugs

# Burj



- ① Toilet Roll Holder
- ② Wall Screws
- ③ Screw Bracket
- ④ Wall Plug

# Lava



- ① Toilet Roll Holder
- ② Wall Screws
- ③ Fixing Ring
- ④ Wall Plug



PAR  
TAPS

Note: This guide applies to all Accessory products within each depicted range.



[www.partaps.com](http://www.partaps.com)



[/ParTapsPtyLtd](https://www.facebook.com/ParTapsPtyLtd)



[@par\\_taps](https://www.instagram.com/par_taps)