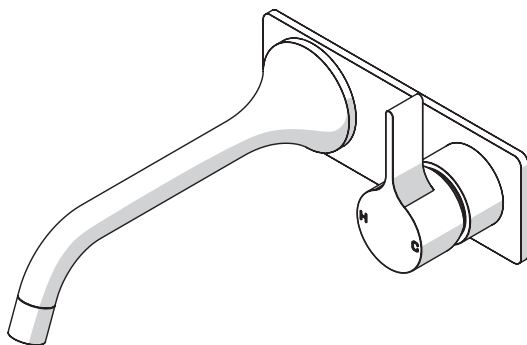
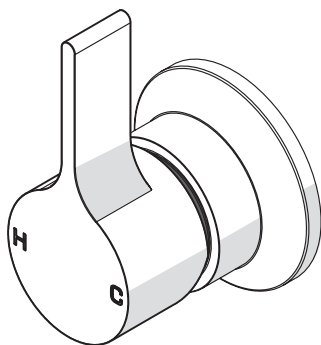




P A R
TAPS



Ari Wall Mixers Collection

Rough in Guide & Installation Guide

Important Information



Prior to Installation:

- Please read these instructions completely.
- All instructions serve as a guide only and must be installed by a licensed plumber in accordance with AS/NZS 3500.1. Installation carried out by unlicensed individuals will void all warranties.
- Supply lines must be flushed prior to installation to remove any foreign matter.
- All products are suitable for use with most instantaneous hot water heaters, however are not compatible with gravity-fed water systems.

Water Pressure & Temperature:

This Par Taps products are to be installed by a Licensed Plumber in accordance with AS/NZS 3500.1

Maximum Water Temperature — — — — — 80° Celcius

Regulatory Maximum Water Pressure — — — — — 500kPa

Note: In areas where the recommended maximum water pressure is exceeded, pressure-limiting valves must be installed.

Rough-In Guide

Wall Cut-out Profile, Sizes and Clearances for Wall Mixers and Wall Mixer Sets on Plate

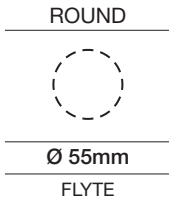
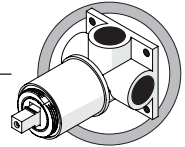


Fig 1

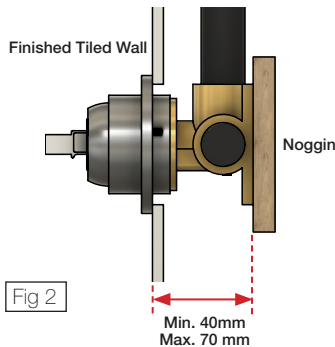


Fig 2

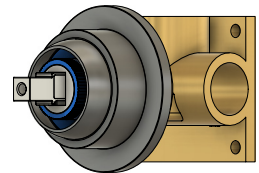


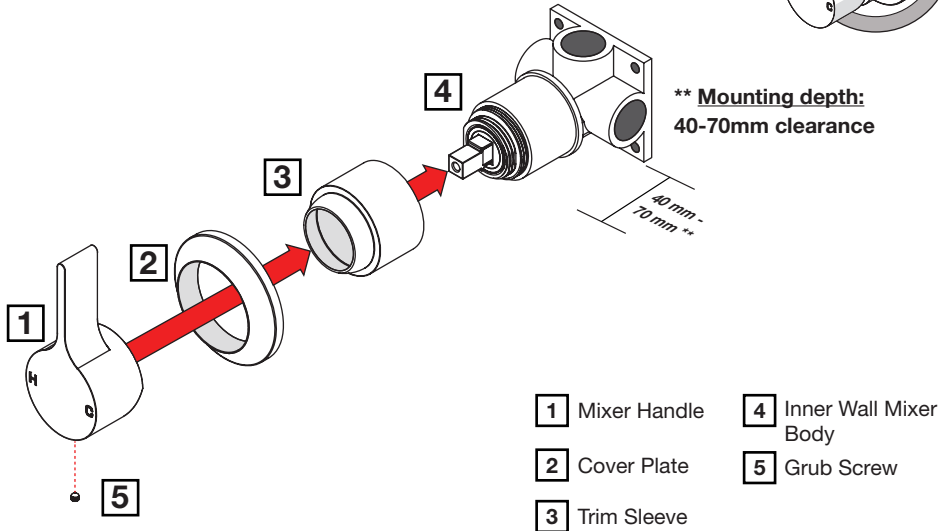
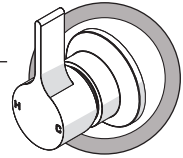
Fig 3

Rough-In Notes:

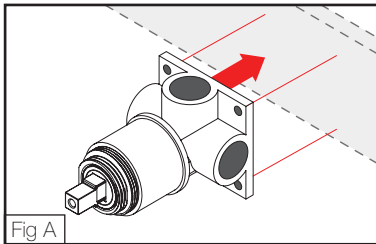
The hole sizing chart above (Fig 1) depicts the ideal profile and dimensions for wall cut out. This is to ensure the mixer Trim Sleeve (3) fits within the void over the mixer body without any interference.

Prior to installing, calculate the finished wall thickness to ensure the Cover Plate and Handle will fit the final assembly. **Recommended clearances indicated above** (Fig 2).

Wall Mixer

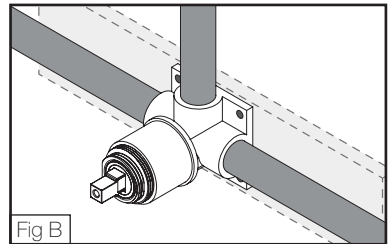


1. Screw the Inner Wall Mixer Body (4) to the noggin (Fig A) or mounting plate (where fitted).
Use a spirit-level to ensure mixer is straight.

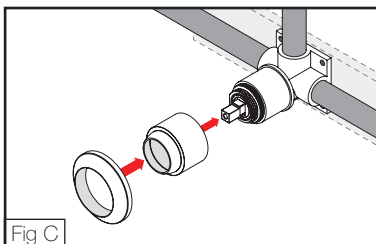


2. Connect the water supply lines to the Inner Wall Mixer Body (4) (Fig B), then connect the water outlet. Test for any signs of leaks.

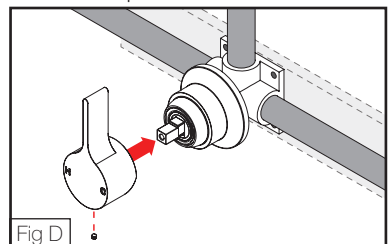
Finish tiled wall before next step



3. Push fit the Mixer Trim Sleeve (3) over the Inner Wall Mixer Body (Fig C).

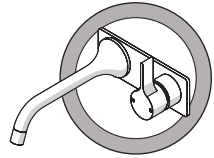


4. Insert and tighten the Grub Screws (5) provided to secure Mixer Handle (1). Then screw on the pin lever handle

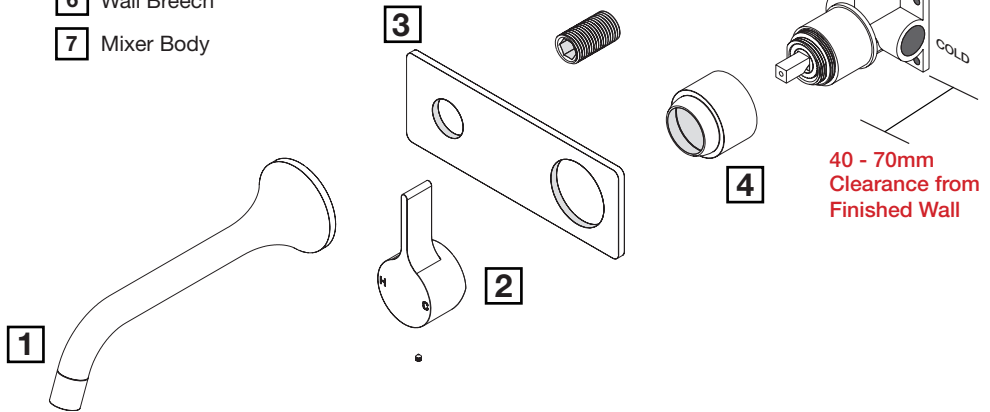


Please Note: In the diagrams above, for clarity the tile wall face has not been depicted.

Wall Mixer on Plate



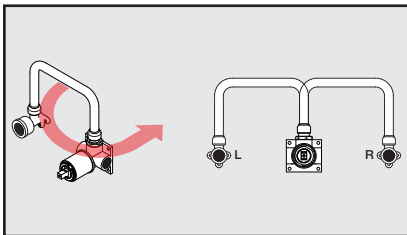
- 1** Basin / Bath Outlet Grub Screw
- 2** Mixer Handle with Grub Screw
- 3** Backplate
- 4** Mixer Sleeve Grub Screw
- 5** 1/2 inch Outlet Thread
- 6** Wall Breech
- 7** Mixer Body



New Innovation Mixer on Plate breach

Par Taps designed. This breach allows you to select which side you would like your outlet on.

NOTE: Most applications, the outlet is on the left of the wall mixer.

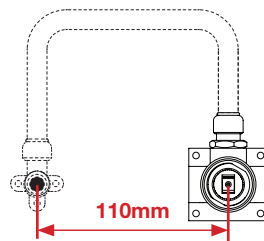


Note: Please ensure that the noggin depth behind the face of the wall is within specification

(40mm to 70mm from Finished Wall, See above Drawing)

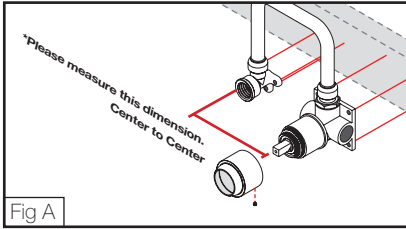
Fit-off

Prior to installation of Wall mixer on plate, measure the **center-to-center** distance between Mixer Body and Outlet nipple to **130mm** (adjust if necessary).



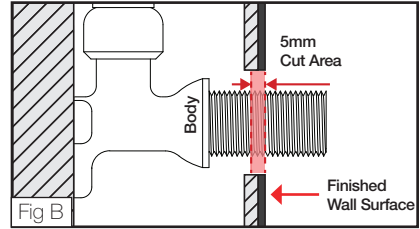
Note: Please ensure center of outlet and center of mixer cartridge are level.

1. Fit the Wall Breech (6) to the noggin. Use a spirit-level to ensure the body is straight.
Please insert the Mixer Sleeve (4) in to the Mixer Body (7) and tighten the grub screw to secure
Cap off and test for any leaks. **Finish tiled wall before next step**

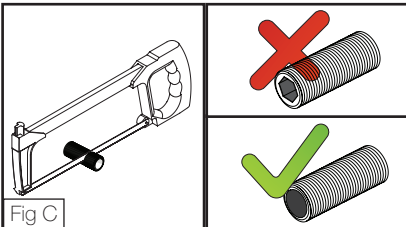


2. For correct fitment, please ensure that the 1/2 Inch Outlet Thread (5) is cut either to the face of the finished wall or up to 5mm behind the finished wall.

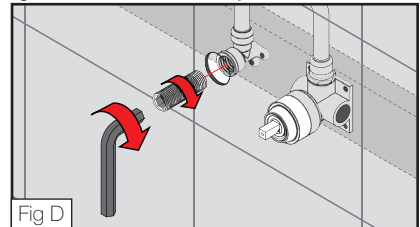
NIPPLE CANNOT SIT PROUD



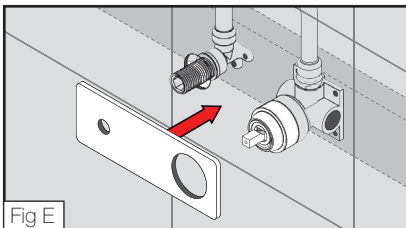
3. Cut the **non-hex** end of the thread to enable ease of fitment.



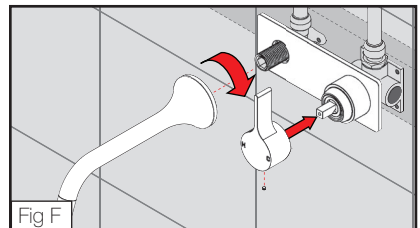
4. Fit the 1/2 Inch Outlet Thread (5) into the Wall Breech (6). Ensure a thread sealer has been applied and tighten with a 12mm Allen Key.



5. Slide the Backplate (2) over the assembly until flush with wall surface.



6. Push-fit the Outlet (1), ensure it is firmly pushed onto the nipple and use the locator pin to align the outlet.
Fit the Mixer Handle (2) to the main body by firmly pushing it onto the mixer cartridge.
Tighten all the grub screws for the outlet and handle to secure. Installation Complete!



This page is left intentionally blank

This page is left intentionally blank



P A R
TAPS



www.partaps.com



[/ParTapsPtyLtd](https://www.facebook.com/ParTapsPtyLtd)



[@par_taps](https://www.instagram.com/par_taps)