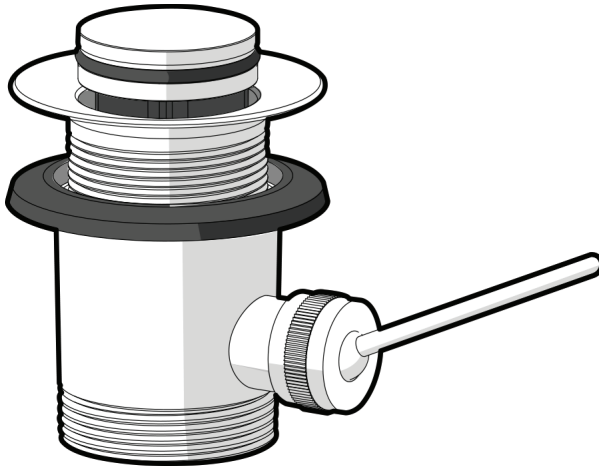


Bidet Waste Collection

Installation Guide



P A R
TAPS



www.partaps.com

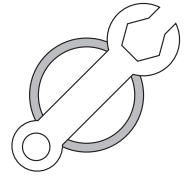


[/ParTapsPtyLtd](https://www.facebook.com/ParTapsPtyLtd)



[@par_taps](https://www.instagram.com/par_taps)

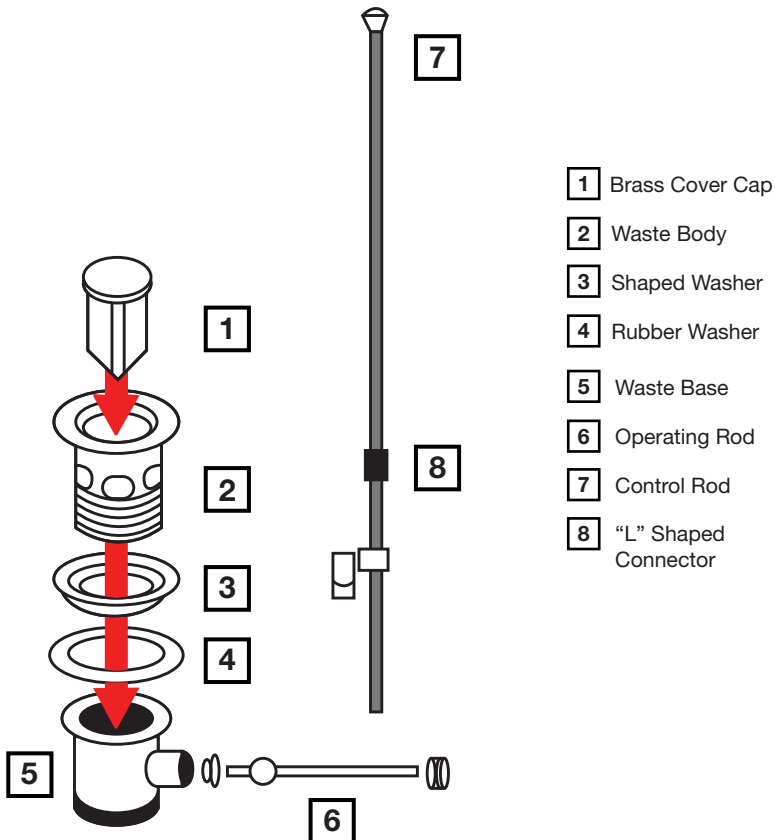
Important Information



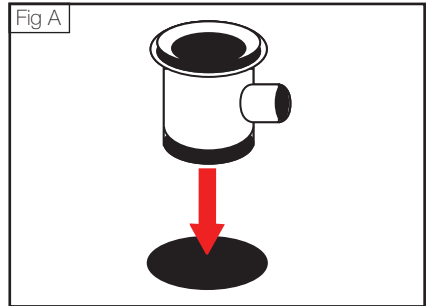
Prior to Installation:

- Please read these instructions completely.
- All instructions serve as a guide only and must be installed by a licensed plumber in accordance with AS/NZS 3500.1. Installation carried out by unlicensed individuals will void all warranties.
- Supply lines must be flushed prior to installation to remove any foreign matter.
- Installations must comply in accordance with Australian Standards
- All products are suitable for use with most instantaneous hot water heaters, however are not compatible with gravity-fed water systems.

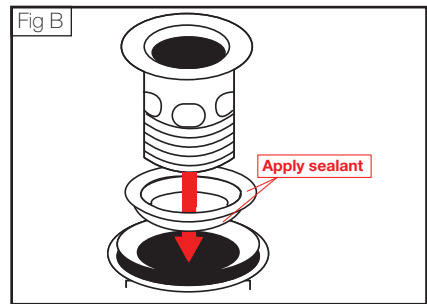
Bidet Waste



1. Fit the pop-up waste outlet into the bidet bowl (Fig A).
Insert the pop-up waste body (2), ensuring the shaped washer (3) beneath is seated correctly.

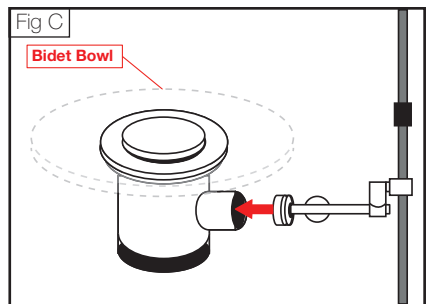


2. It is recommended to apply a sealant to both faces of the shaped washer before installation (Fig G). Put the rubber washer (4) (flat side up) on the pop up waste body under the shaped washer. The waste base (5) is then screwed onto the pop up waste body.



3. Insert the operating rod (6) with ball into the waste base (5) and tighten the nut.
Using the "L" Shaped connector (8) on the lower end of the control rod (7), connect the two rods together to enable pop-up action (Fig C).

The plug height can be set by adjusting the operating rod and the control rod.





P A R
TAPS