



P A R  
TAPS

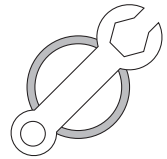
---



## Elm Hob Tapware

Installation Guide

# Important Information



## Prior to Installation:

- Please read these instructions completely.
- All instructions serve as a guide only and must be installed by a licensed plumber in accordance with AS/NZS 3500.1. Installation carried out by unlicensed individuals will void all warranties.
- Supply lines must be flushed prior to installation to remove any foreign matter.
- All products are suitable for use with most instantaneous hot water heaters, however are not compatible with gravity-fed water systems.

---

## Water Pressure & Temperature:

This Par Taps products are to be installed by a Licensed Plumber in accordance with AS/NZS 3500.1

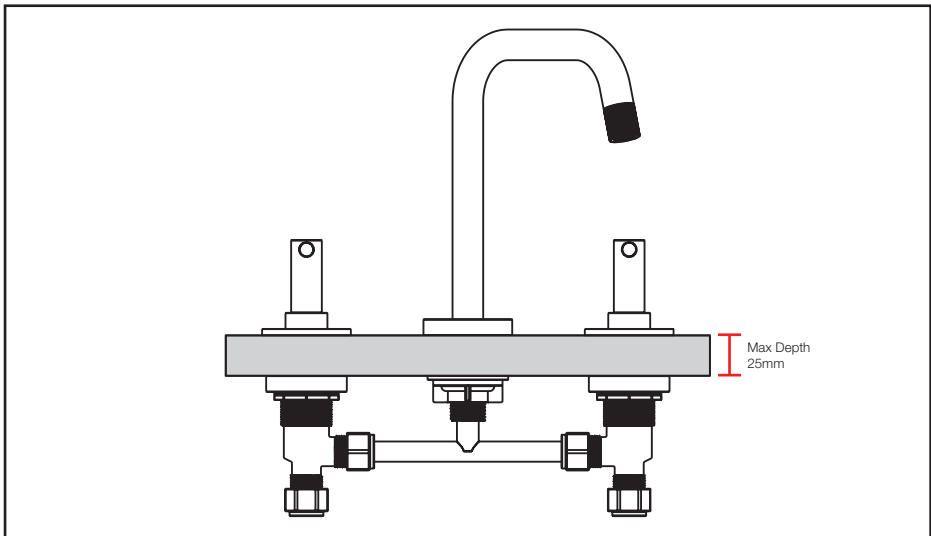
Maximum Water Temperature — — — — — — — — — — 80° Celcius

Regulatory Maximum Water Pressure — — — — — — — — — — 500kPa

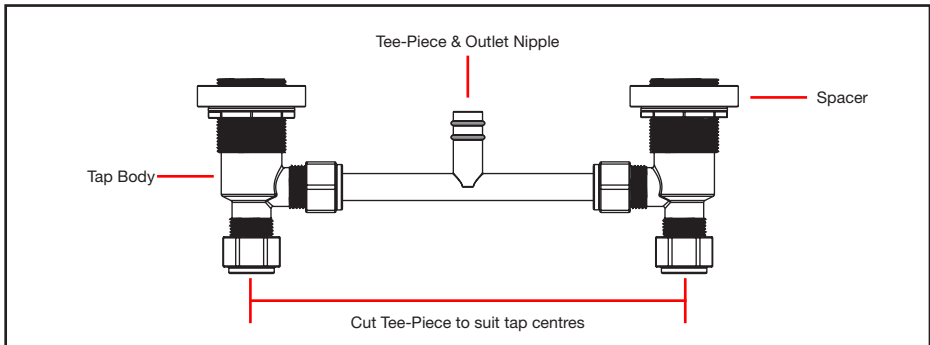
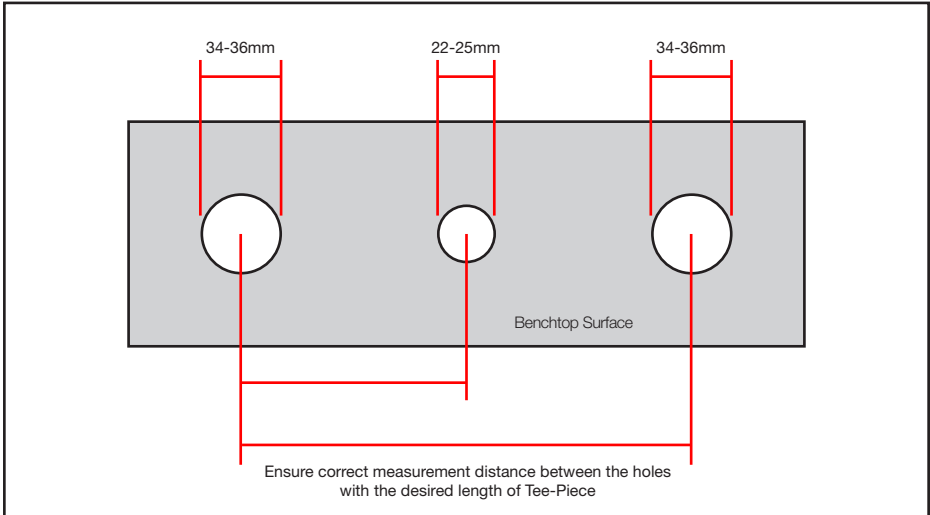
**Note:** In areas where the recommended maximum water pressure is exceeded, pressure-limiting valves must be installed.

# Before Installation

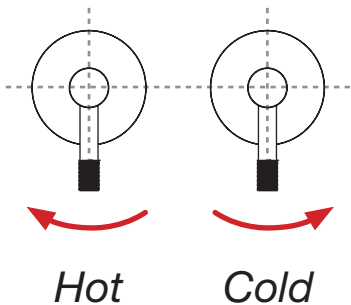
Prior to installation, ensure the finished benchtop thickness is no larger than 25mm



# Hole Sizes and Distances



# Handle Direction



Safety Note:  
Elm spindles are **Contra Rotation**  
The hot handle is turned clockwise  
The cold handle is turned counterclockwise

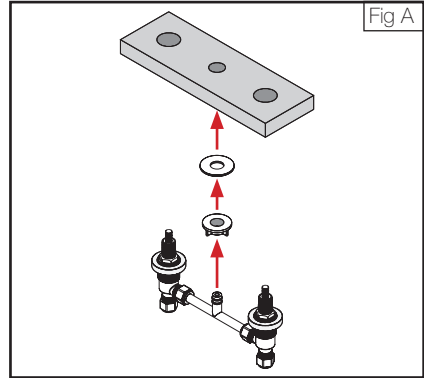
# Hob Basin Tapware

1. Important - Flush water lines on new installations before fitment to avoid damage to valve and blocking of filter or aerator

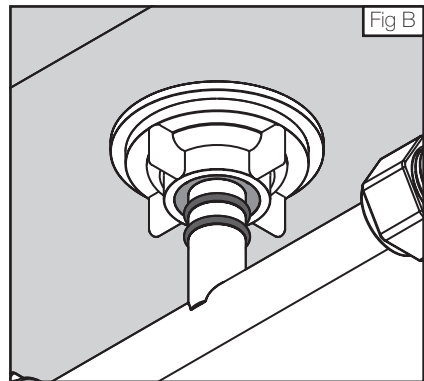
Align the plastic washers below the outlet hole of the benchtop surface (Fig A).

Place the washers at the center hole underneath the benchtop.

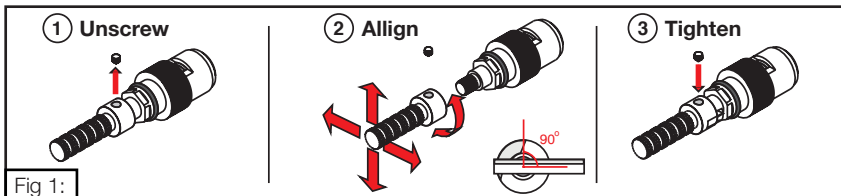
Then place the tee-piece underneath the washers (Fig B).



2. Align the plastic washers below the outlet hole of the benchtop surface. Then insert the tee-piece (Fig B).



## Handle Alignment for Lever Handles



Firstly ensure that the disc is in the closed position and then fit handle to align.

\*Fig 1: To align the handle, loosen grub screw from the extension using 2mm allen key, then rotate the position of the extension and ceramic disc cartridge until the desired handle position is achieved.

3. Remove handles and flanges from the tapware sets

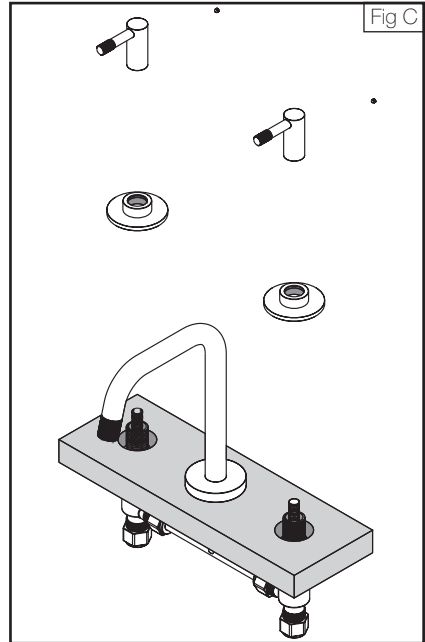
Install centre outlet

Connect the tee-piece to the bodies and tighten the nuts.

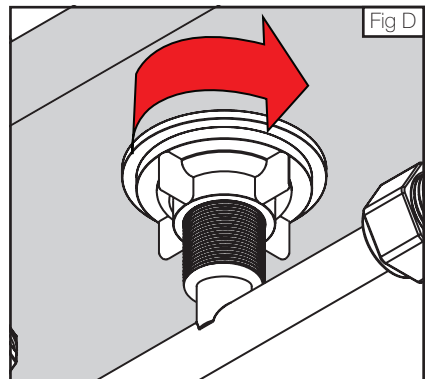
Push the assembly into position connecting the tee-piece to the centre outlet

Fit top locknut and washer so that it is flushed on top of the tap body

Fit flange and handle bodies (Fig C).



4. Screw and tighten the washers for the centre outlet to complete the assembly (Fig D).





P A R  
TAPS



[www.partaps.com](http://www.partaps.com)



[/ParTapsPtyLtd](https://www.facebook.com/ParTapsPtyLtd)



[@par\\_taps](https://www.instagram.com/par_taps)