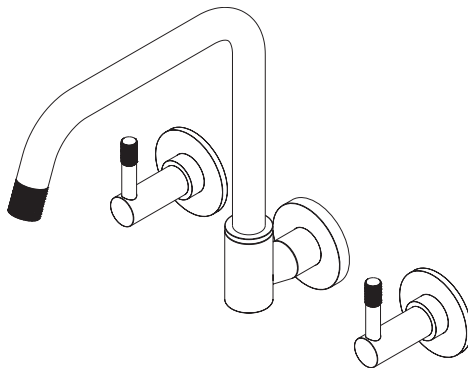
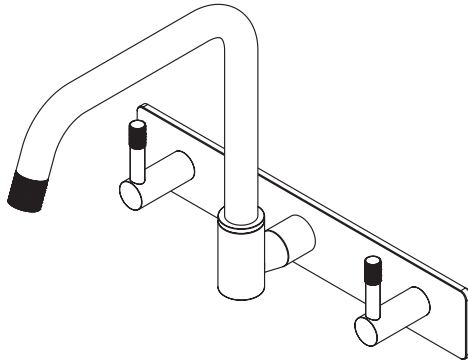




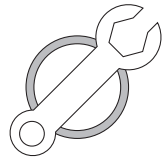
P A R
TAPS



Elm Wall Sink & Spa Tapware

Rough in Guide & Installation Guide

Important Information



Prior to Installation:

- All instructions serve as a guide only and must be installed by a licensed plumber in accordance with AS/NZS 3500.1. Installation carried out by unlicensed individuals will void all warranties.
- Supply lines must be flushed prior to installation to remove any foreign matter.
- All products are suitable for use with most instantaneous hot water heaters, however are not compatible with gravity-fed water systems.

Water Pressure & Temperature:

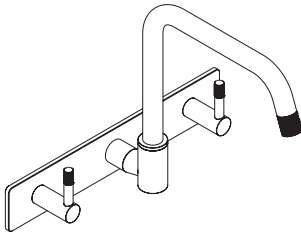
This Par Taps products are to be installed by a Licensed Plumber in accordance with AS/NZS 3500.1

Maximum Water Temperature — — — — — 80° Celcius

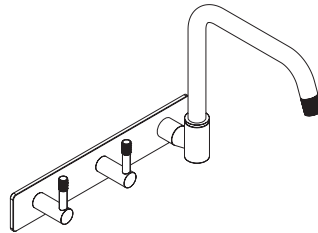
Regulatory Maximum Water Pressure — — — — — 500kPa

Note: In areas where the recommended maximum water pressure is exceeded, pressure-limiting valves must be installed.

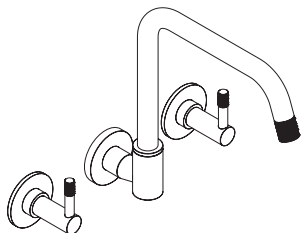
Wall Tapware Sets Range



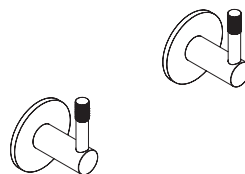
WALL SET ON PLATE



WALL SET ON PLATE - OFFSET

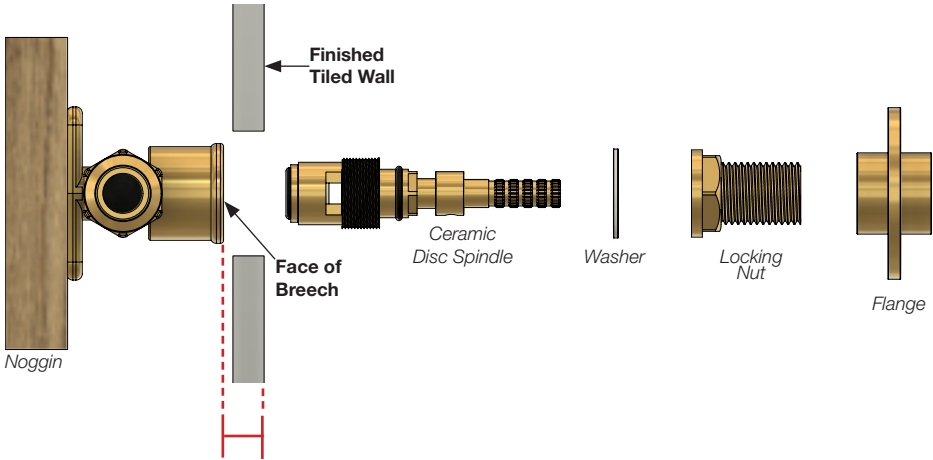


3 PIECE SET



TOP ASSEMBLIES

Rough-in Set Up

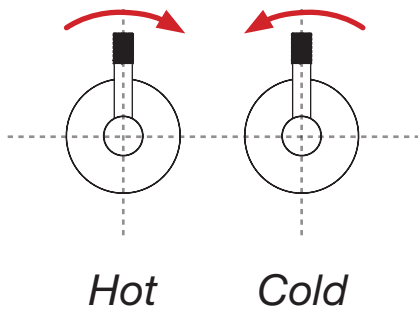


25-32mm: **Standard Set** - Face of Breech to Finished Tiled Wall

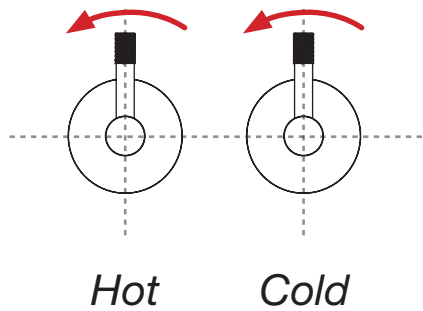
33-39mm: **Optional Kit Required** - G11.061.1 Elm Large Locking Nut Kit

Handle Direction

Normal



Offset



Safety Note:

Elm spindles are **Contra Rotation**

The hot handle is turned clockwise

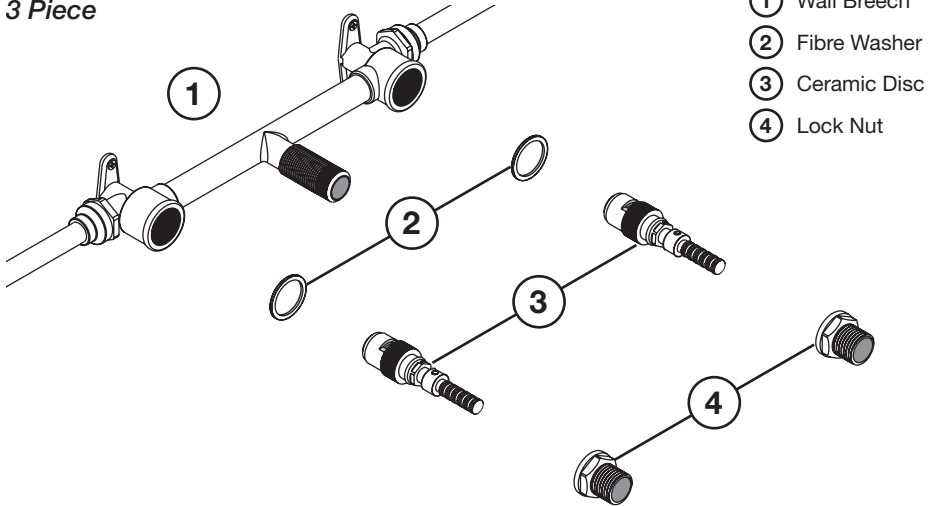
The cold handle is turned counterclockwise

Safety Note:

Elm Offset spindles are **Counterclockwise Rotation**

Wall Set

3 Piece



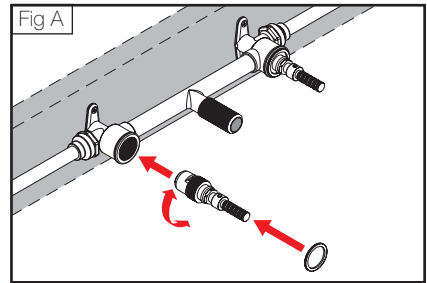
- ① Wall Breech
- ② Fibre Washer
- ③ Ceramic Disc
- ④ Lock Nut

1. Prior to installing ceramic disc assembly make sure the seat surface is clean and smooth otherwise reseal and recheck. Also ensure that lines have been flushed.

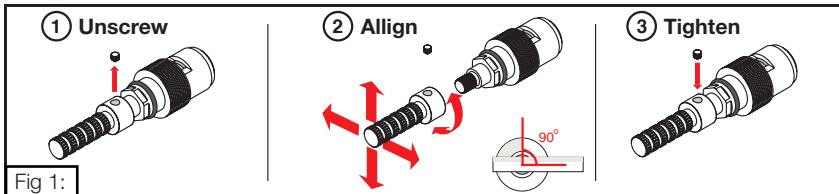
Ensure that the hot and cold indicators located on the bottom of the Ceramic Disc Assembly (3) are placed in the corresponding side of the breach.

2. Insert ceramic disc assembly (3) into Wall breach. Tighten ceramic disc assembly (3) firmly using a 14mm Deep tube socket (not supplied). Then place the fibre washer (2) over the ceramic disc assembly (3) and onto the face of the Wall breach (1).

Align handle. Please refer to Fig 1 below.

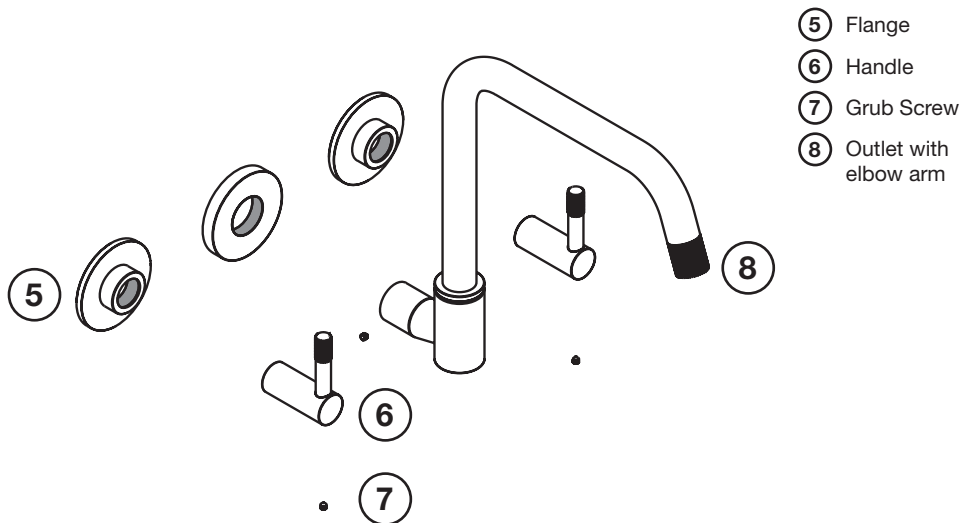


Handle Alignment for Lever Handles



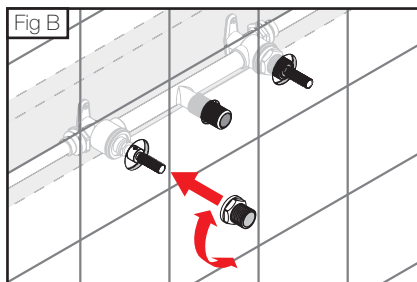
Firstly ensure that the disc is in the closed position and then fit handle to align.

*Fig 1: To align the handle, loosen grub screw from the extension using 2mm allen key, then rotate the position of the extension and ceramic disc cartridge until the desired handle position is achieved.

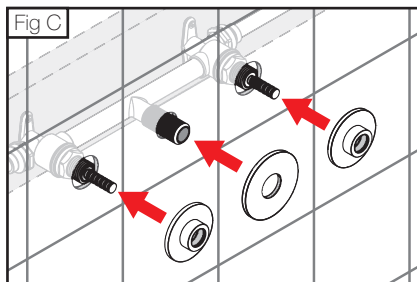


3. After the handle has been aligned, screw the brass lock nut (4) onto the ceramic disc assembly (3) and tighten firmly using a 25mm deep tube socket.

Apply thread tape to the outlet male thread on the wall

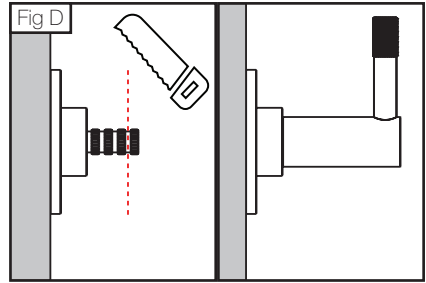


4. Trial fit the flange (5) and handle (8) over the ceramic disc assembly (3) onto the finished wall. If the spline or locknuts are too long, remove them, trim them to the required length, and then refit them



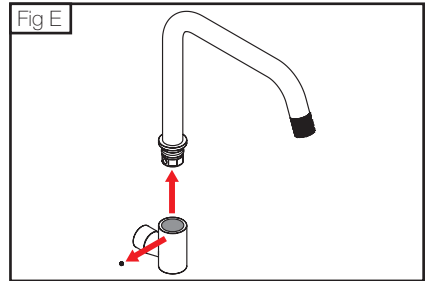
5. DO NOT CUT DOWN THE SPLINES WHILST STILL IN THE BREECH ASSEMBLY

Here is the illustrated example of trimming the spline



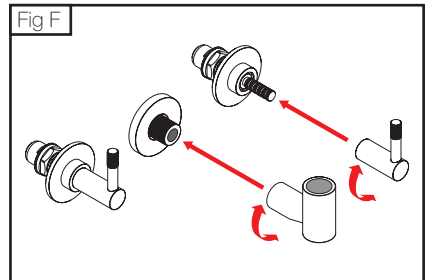
6. Disassemble the wall outlet (8) by first unscrewing the grub screw (7) with an Allen key from the elbow arm.

Then pull out the outlet from the elbow arm



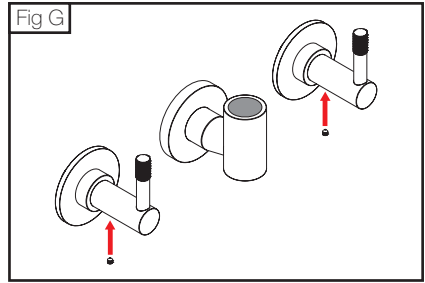
7. Install the elbow arm (8) prior to the handles (6) to secure the flanges (5) to wall surface.

Please ensure that the circle plates are level before tightening.

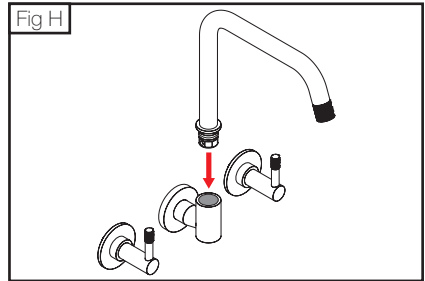


Please Note: In the diagrams above (Fig E, F), for clarity the tile wall face has not been depicted.

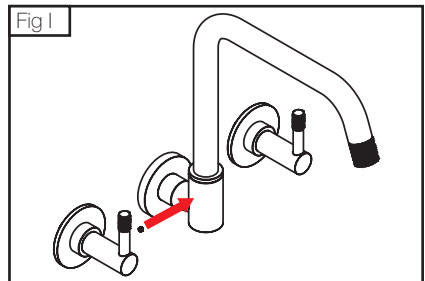
8. Firmly push the handles (6) to the main body (Fig F).
Tighten the grub screw (7) to secure



9. Re-insert the outlet back into the elbow arm (8).
Ensure the holes are realigned before inserting the grub screw (7)



10. Use the Allen key to tighten the grub screw (7) back into the elbow arm.
Ensure the elbow arm and outlet (8) are fitted firmly and able to swivel

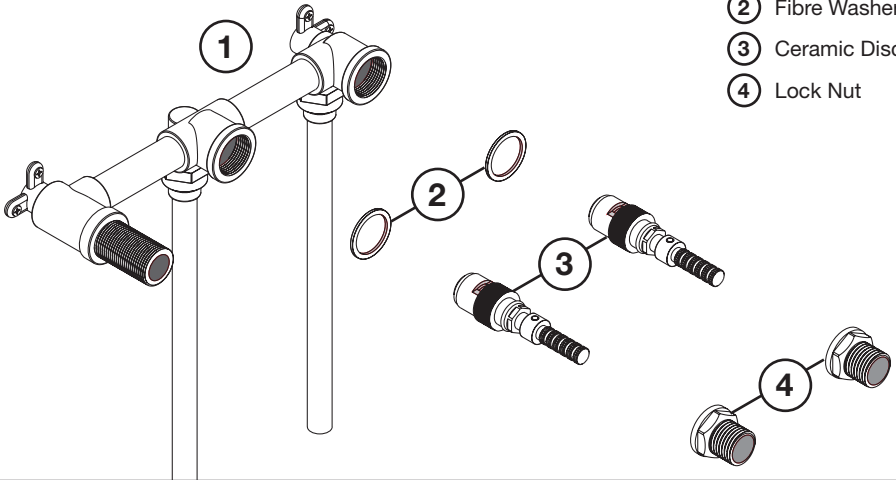


Please Note: In the diagrams above (Fig G, H, I), for clarity the tile wall face has not been depicted.

Wall Sets on Plate

Normal & Offset

- ① Wall Breech
- ② Fibre Washer
- ③ Ceramic Disc
- ④ Lock Nut

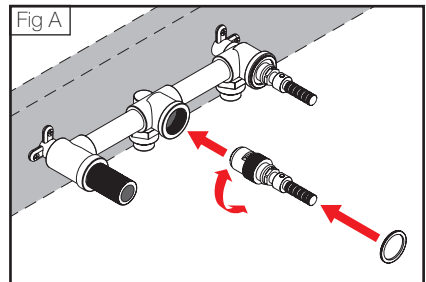


1. Prior to installing ceramic disc assembly make sure the seat surface is clean and smooth otherwise reseal and recheck. Also ensure that lines have been flushed.

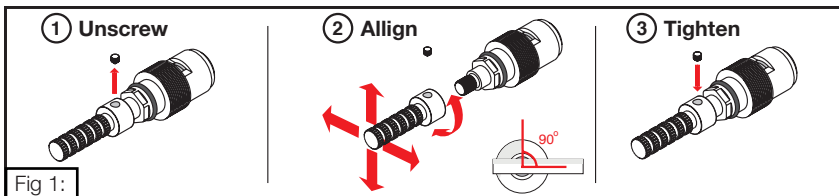
Ensure that the hot and cold indicators located on the bottom of the Ceramic Disc Assembly (3) are placed in the corresponding side of the breach.

2. Insert ceramic disc assembly (3) into Wall breach. Tighten ceramic disc assembly (3) firmly using a 14mm Deep tube socket (not supplied). Then place the fibre washer (2) over the ceramic disc assembly (3) and onto the face of the Wall breach (1).

Align handle. Please refer to Fig 1 below.

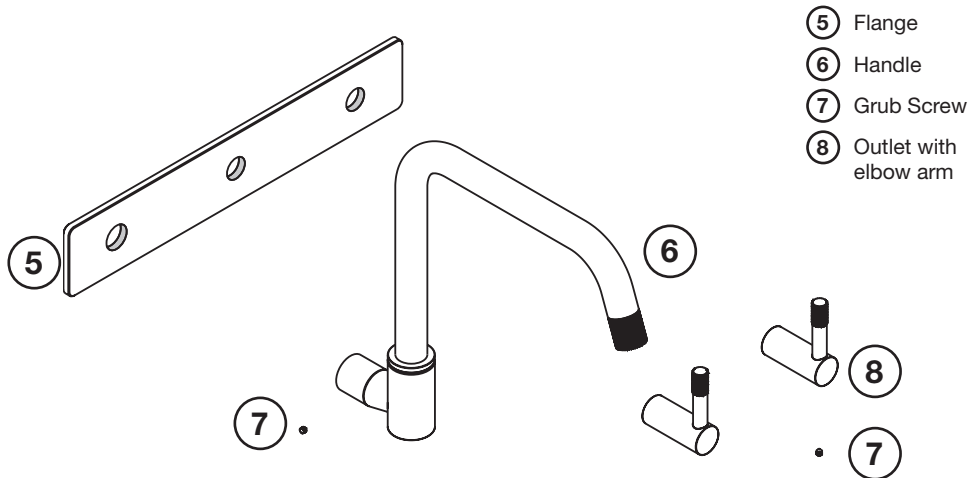


Handle Alignment for Lever Handles



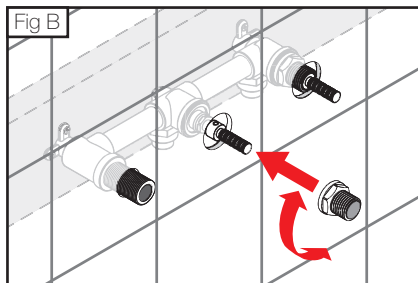
Firstly ensure that the disc is in the closed position and then fit handle to align.

*Fig 1: To align the handle, loosen grub screw from the extension using 2mm allen key, then rotate the position of the extension and ceramic disc cartridge until the desired handle position is achieved.

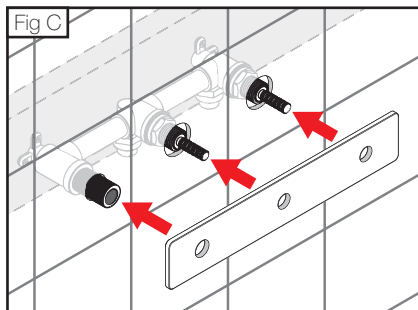


3. After the handle has been aligned, screw the brass lock nut (4) onto the ceramic disc assembly (3) and tighten firmly using a 25mm deep tube socket.

Apply thread tape to the outlet male thread on the wall

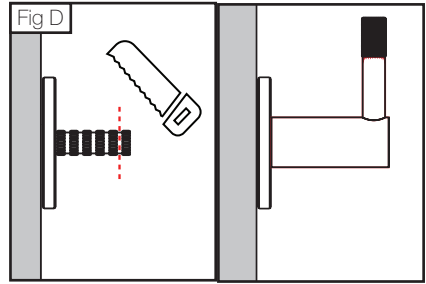


4. Trial fit the backplate (5) and handle (8) over the ceramic disc assembly (3) onto the finished wall. If the spline or locknuts are too long, remove them, trim them to the required length, and then refit them



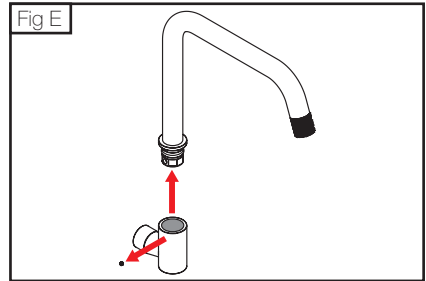
5. DO NOT CUT DOWN THE SPLINES WHILST STILL IN THE BREECH ASSEMBLY

Here is the illustrated example of trimming the spline



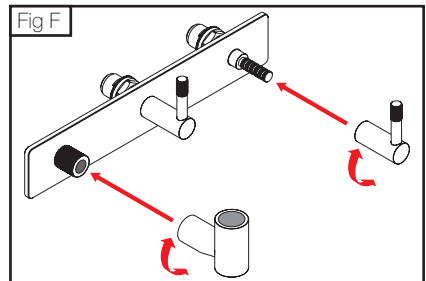
6. Disassemble the wall outlet (8) by first unscrewing the grub screw (7) with an Allen key from the elbow arm.

Then pull out the outlet from the elbow arm



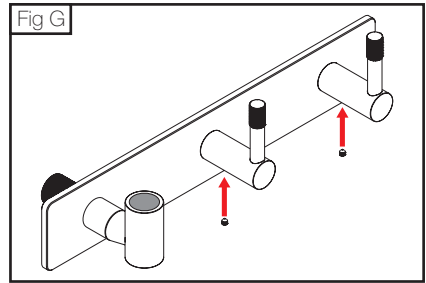
7. Install the elbow arm (8) prior to the handles (6) to secure the backplate (5) to wall surface.

Please ensure that the circle plates are level before tightening.

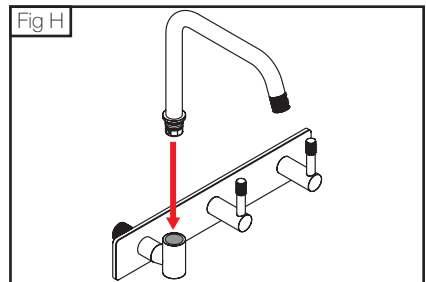


Please Note: In the diagrams above (Fig E, F), for clarity the tile wall face has not been depicted.

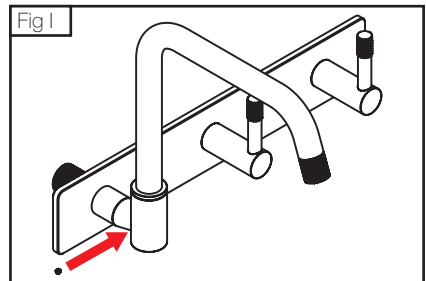
8. Firmly push the handles (6) to the main body (Fig F).
Tighten the grub screw (7) to secure



9. Re-insert the outlet back into the elbow arm (8).
Ensure the holes are realigned before inserting the grub screw (7)



10. Use the Allen key to tighten the grub screw (7) back into the elbow arm.
Ensure the elbow arm and outlet (8) are fitted firmly and able to swivel



Please Note: In the diagrams above (Fig G, H, I), for clarity the tile wall face has not been depicted.



P A R
TAPS



www.partaps.com



[/ParTapsPtyLtd](https://www.facebook.com/ParTapsPtyLtd)



[@par_taps](https://www.instagram.com/par_taps)