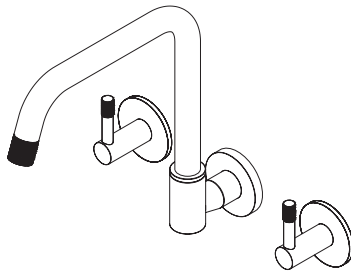
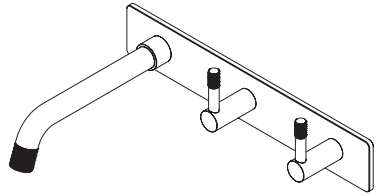
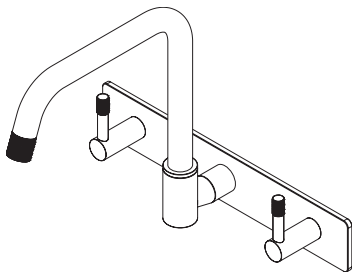


Elm Wall Tapware Sink & Spa Collection

Installation Guide



P A R
TAPS



www.partaps.com

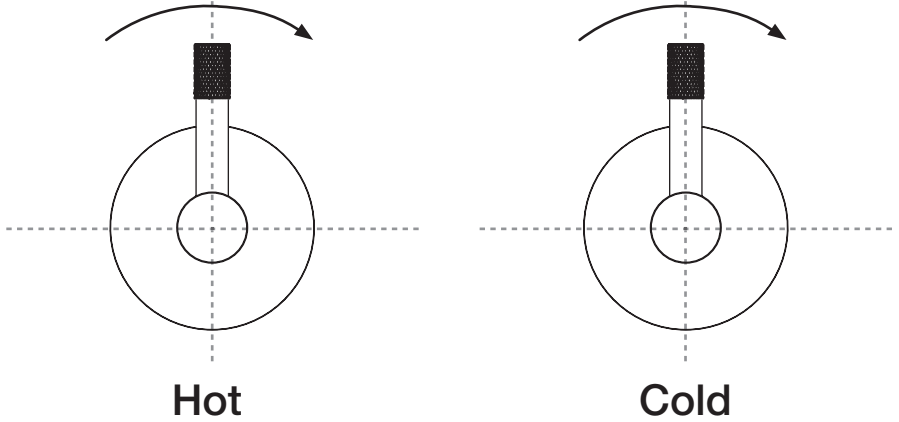


[/ParTapsPtyLtd](https://www.facebook.com/ParTapsPtyLtd)



[@par_taps](https://www.instagram.com/par_taps)

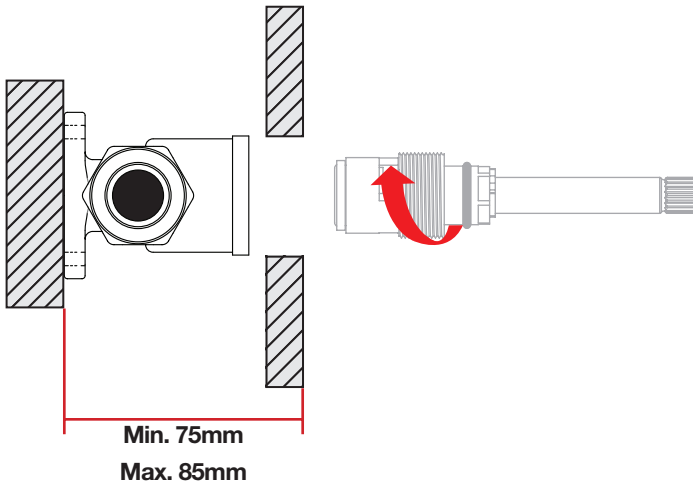
Handle Direction



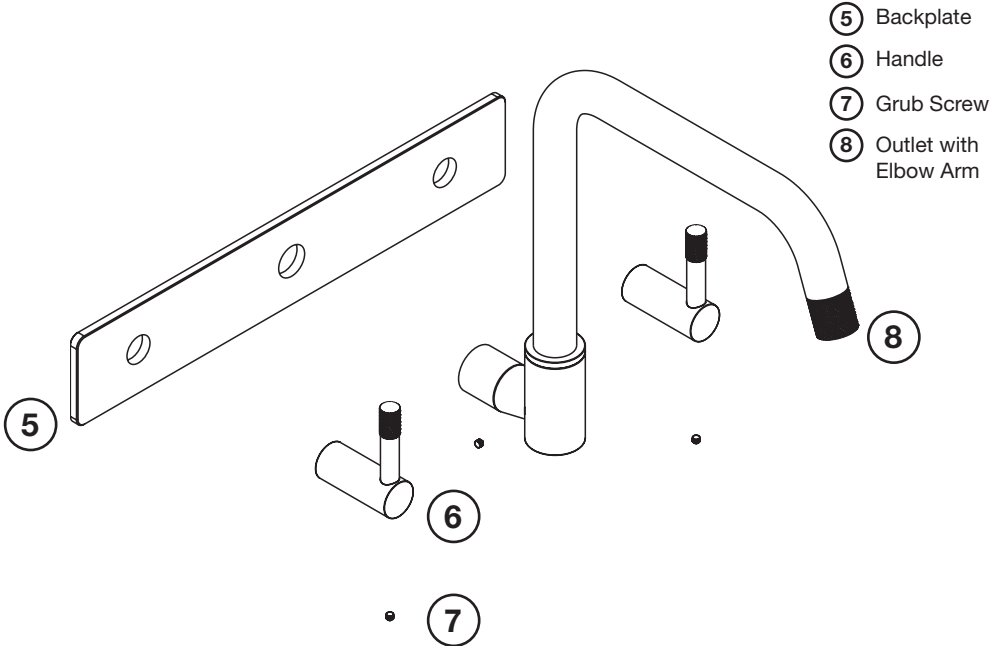
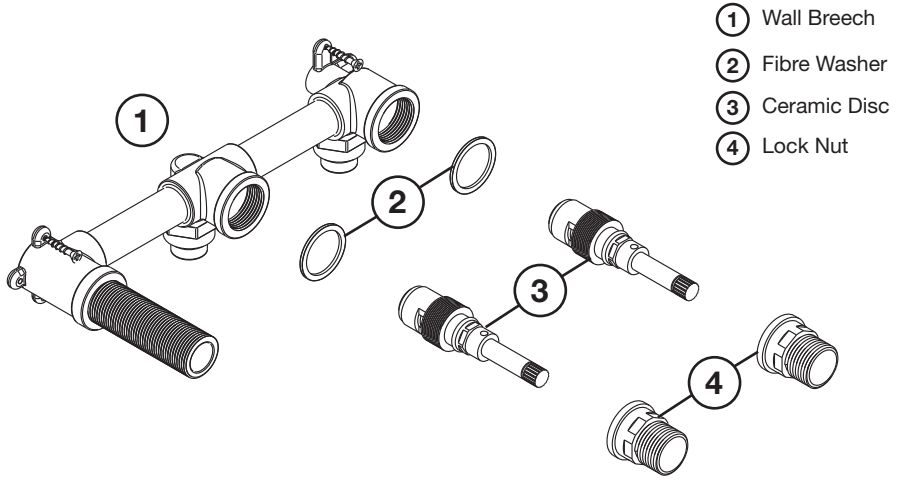
Safety Note:

For your safety, Par Taps spindles are 'Contra Turn' designed. Handles should be fitted to turn/open towards the outlet thus preventing potential accidents such as scalding.

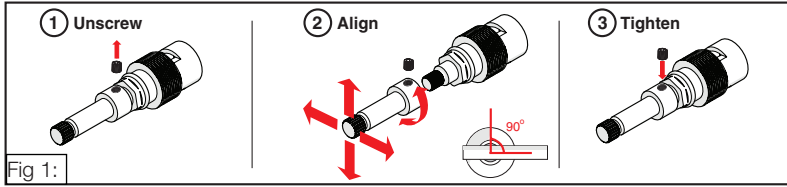
Wall Offset



Wall Set on Plate



Handle Alignment



Firstly ensure that the disc is in the closed position and then fit handle to align.

*Fig 1: To align the handle, loosen grub screw from the extension using 2mm allen key, then rotate the position of the extension and ceramic disc cartridge until the desired handle position is achieved.

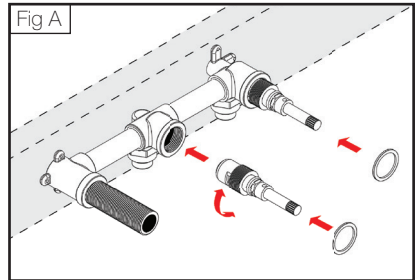
1. Prior to installing ceramic disc assembly (3) make sure the seat surface is clean and smooth otherwise reseal and recheck. Also ensure that lines have been flushed.

Ensure that the hot and cold indicators located on the bottom of the Ceramic Disc Assembly (3) are placed in the corresponding side of the breach.

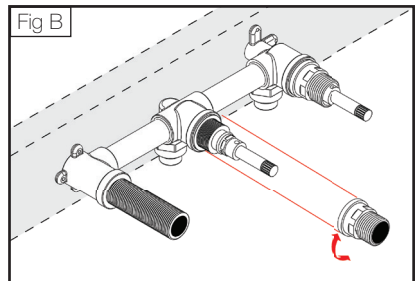
2. Insert ceramic disc assembly (3) into Wall breach. Tighten ceramic disc assembly (3) firmly using a 14mm Deep tube socket (not supplied).

Then place the fibre washer (2) over the ceramic disc assembly (3) and onto the face of the Wall breach (1).

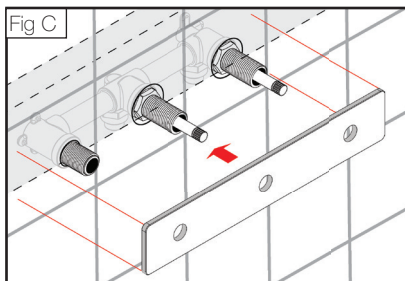
Align handle. Please refer to Fig 1.



3. After the handle has been aligned, screw the Brass lock nut (4) onto the ceramic disc assembly (3) and tighten firmly using a 25mm deep tube socket.

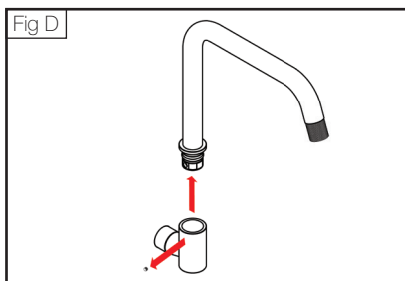


4. Slide the Backplate (6) over the ceramic disc assembly (3) onto the finished wall.

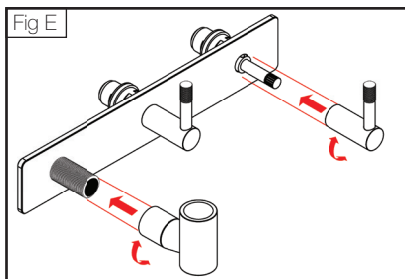


5. Disassemble the wall outlet (8) by first unscrewing the grub screw (7) with an Allen key from the elbow arm.

Then pull out the outlet from the elbow arm

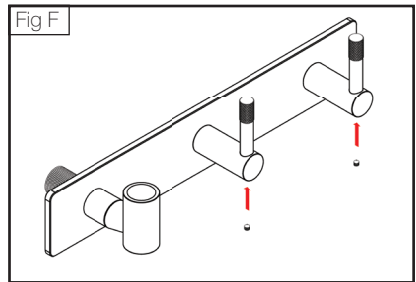


6. Install the elbow arm (8) prior to the handles (6) to secure the backplate (5) to wall surface. Please ensure that the backplate is level before tightening.

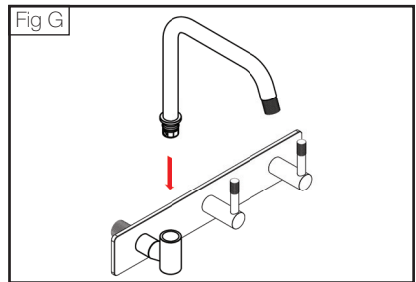


Please Note: In the diagrams above (Fig E), for clarity the tile wall face has not been depicted.

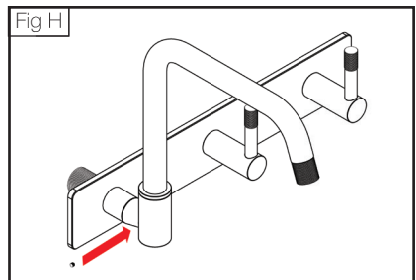
7. Firmly push the handles (6) to the main body (Fig F). Tighten the grub screw (7) to secure



8. Re-insert the outlet back into the elbow arm (8). Ensure the holes are realigned before inserting the grub screw (7)

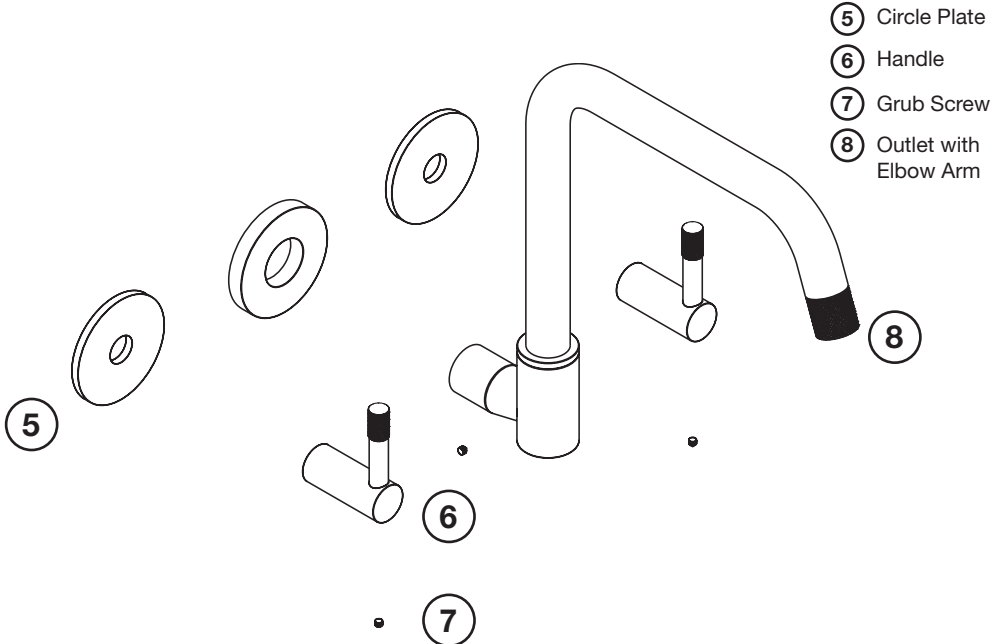
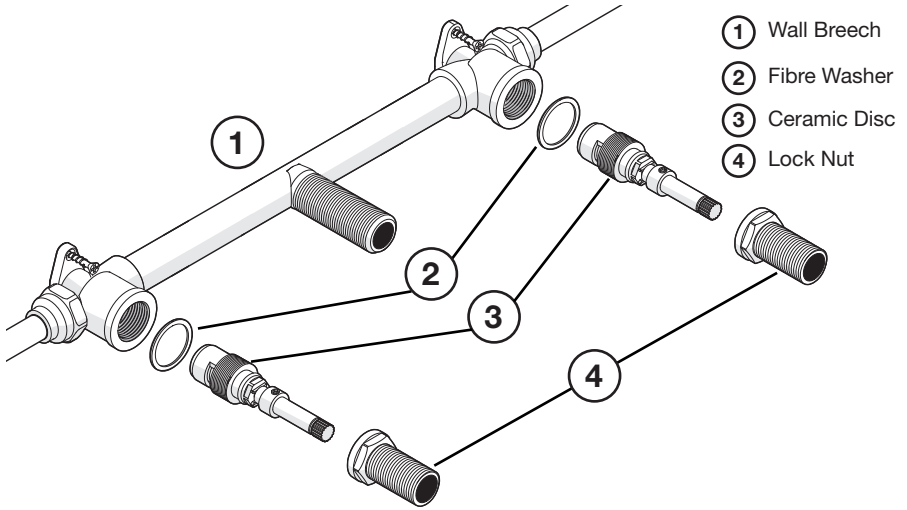


9. Use the Allen key to tighten the grub screw (7) back into the elbow arm. Ensure the elbow arm and outlet (8) are fitted firmly and able to swivel

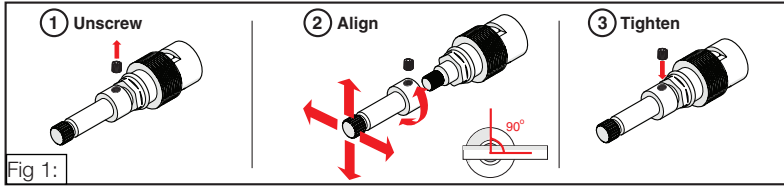


Please Note: In the diagrams above (Fig F, G, H), for clarity the tile wall face has not been depicted.

Wall Set



Handle Alignment



Firstly ensure that the disc is in the closed position and then fit handle to align.

*Fig 1: To align the handle, loosen grub screw from the extension using 2mm allen key, then rotate the position of the extension and ceramic disc cartridge until the desired handle position is achieved.

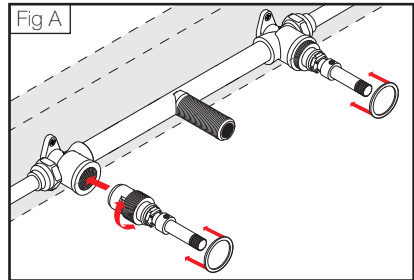
1. Prior to installing ceramic disc assembly make sure the seat surface is clean and smooth otherwise reseal and recheck. Also ensure that lines have been flushed.

Ensure that the hot and cold indicators located on the bottom of the Ceramic Disc Assembly (3) are placed in the corresponding side of the breach.

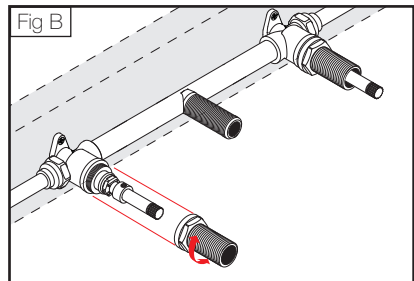
2. Insert ceramic disc assembly (3) into Wall breach. Tighten ceramic disc assembly (3) firmly using a 14mm Deep tube socket (not supplied).

Then place the fibre washer (2) over the ceramic disc assembly (3) and onto the face of the Wall breach (1).

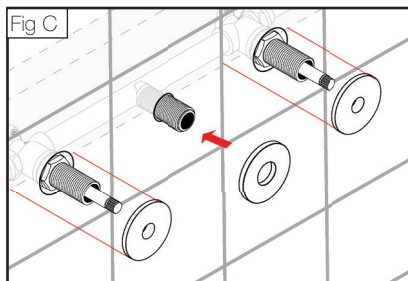
Align handle. Please refer to Fig 1.



3. After the handle has been aligned, screw the Brass lock nut (4) onto the ceramic disc assembly (3) and tighten firmly using a 25mm deep tube socket.

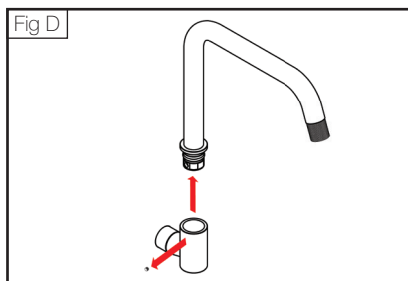


4. Slide the circle plates (5) over the ceramic disc assembly (3) onto the finished wall.

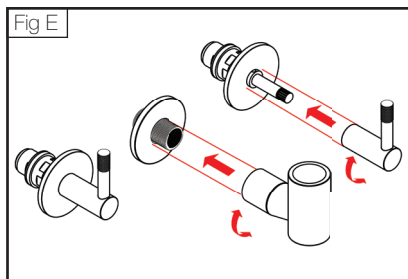


5. Disassemble the wall outlet (8) by first unscrewing the grub screw (7) with an Allen key from the elbow arm.

Then pull out the outlet from the elbow arm

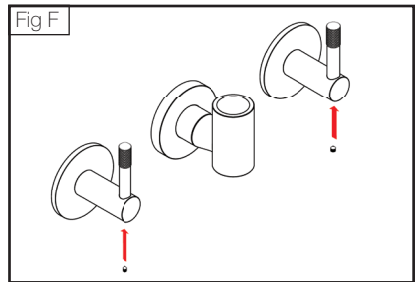


6. Install the elbow arm (8) prior to the handles (6) to secure the backplate (5) to wall surface. Please ensure that the circle plates are level before tightening.

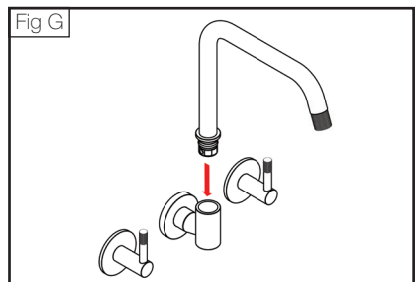


Please Note: In the diagrams above (Fig E), for clarity the tile wall face has not been depicted.

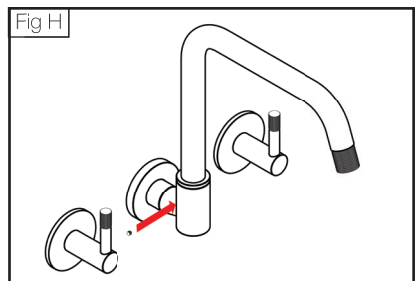
7. Firmly push the handles (6) to the main body (Fig F). Tighten the grub screw (7) to secure



8. Re-insert the outlet back into the elbow arm (8). Ensure the holes are realigned before inserting the grub screw (7)



9. Use the Allen key to tighten the grub screw (7) back into the elbow arm. Ensure the elbow arm and outlet (8) are fitted firmly and able to swivel



Please Note: In the diagrams above (Fig F, G, H), for clarity the tile wall face has not been depicted.



P A R
TAPS