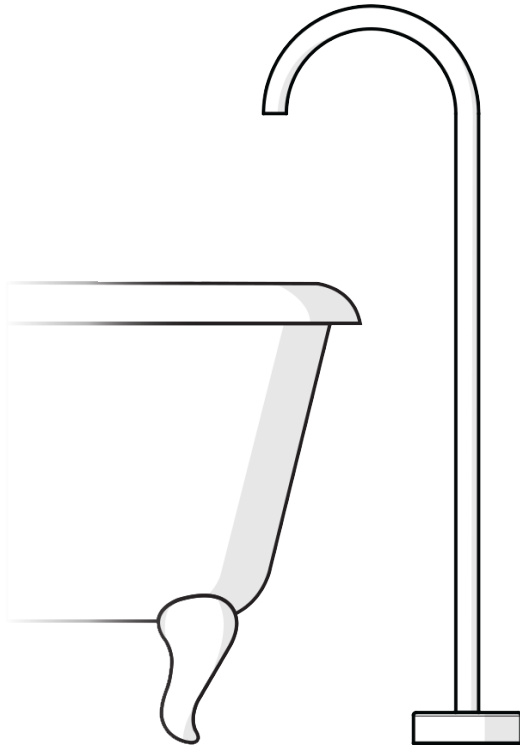




P A R
TAPS



Floor Bath Filler

Installation Guide

Important Information



Prior to Installation:

- Please read these instructions completely.
- All instructions serve as a guide only and must be installed by a licensed plumber in accordance with AS/NZS 3500.1. Installation carried out by unlicensed individuals will void all warranties.
- Supply lines must be flushed prior to installation to remove any foreign matter.
- Installations must comply in accordance with Australian Standards
- All products are suitable for use with most instantaneous hot water heaters, however are not compatible with gravity-fed water systems.

Water Pressure & Temperature:

This Par Taps products are to be installed by a Licensed Plumber in accordance with AS/NZS 3500.1

Maximum Water Temperature - - - - - 80° Celcius

Maximum Water Pressure - - - - - 1600kPa

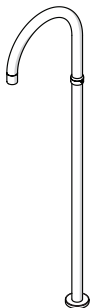
Regulatory Maxumim Water Pressure - - - - - 500kPa

Note: In areas where the recommended maximum water pressure is exceeded, pressure-limiting valves must be installed.

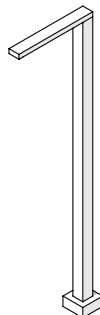
Cleaning

To maintain your Par Taps products and keep them looking new, we recommend using only mild soap and water, or a damp soft cloth to wipe tapware. Under no circumstances should any harsh detergents or abrasive cleaners be used.

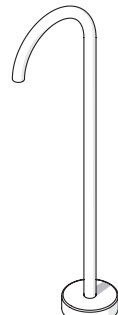
Range



Lugano (Swivel)



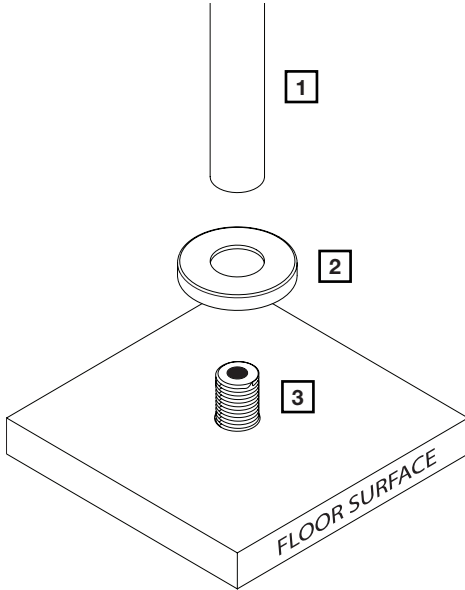
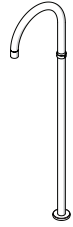
Burj



Lugano (Fixed)

Lugano

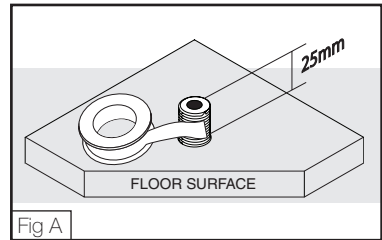
Swivel



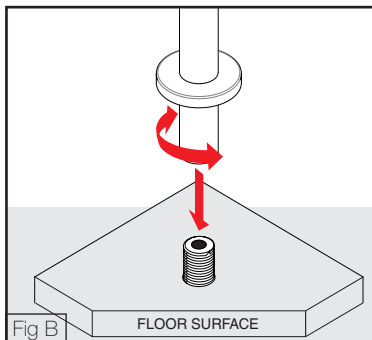
- 1 LUGANO Spa Outlet
- 2 Cover Flange
- 3 Brass Male Thread

Please Note: Prior to installation ensure 1/2 inch Brass male thread (6) is protruding a maximum of 25mm from surface finish.

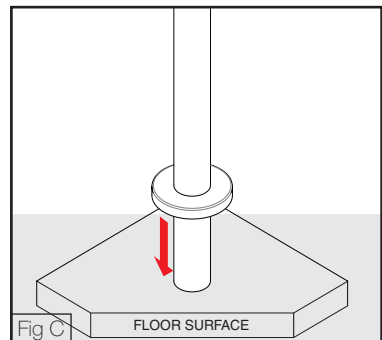
1. Wrap nylon tape around Male thread (3) before screwing the Spa Outlet (1)



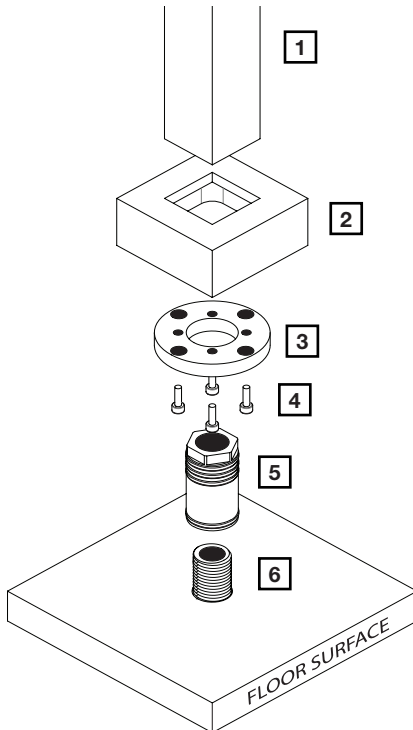
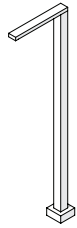
2. Screw Spa Outlet (1) onto Male thread (3) until flush with floor surface. (FIG B)



3. Push Spa outlet flange (2) to be flush with floor surface. (FIG C)



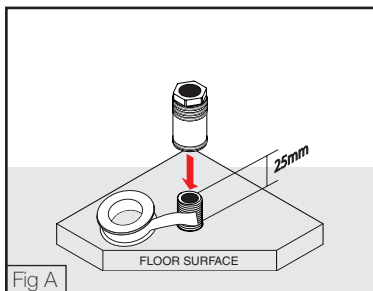
Burj



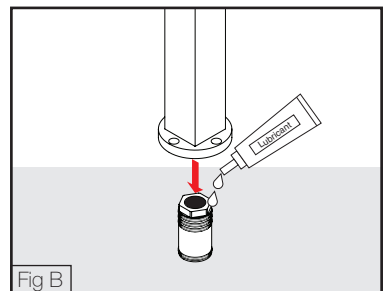
- 1** BURJ Spa Outlet
- 2** Cover Flange
- 3** Brass Cover Plate
- 4** Screws
- 5** Brass Female Nipple
- 6** Brass Male Thread

Please Note: Prior to installation ensure 1/2 inch Brass male thread (6) is protruding a maximum of 25mm from surface finish.

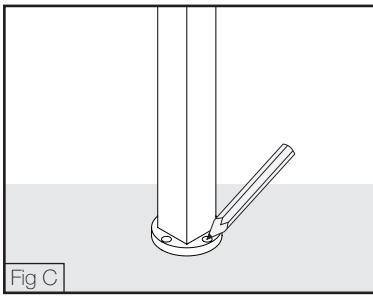
1. Wrap nylon tape around Male thread (6) before screwing the Brass female nipple (5) (FIG A)



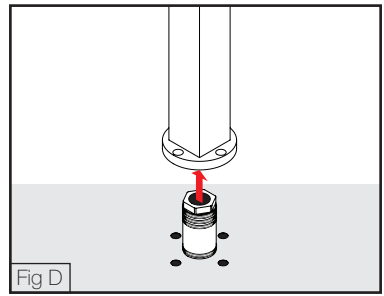
2. Lubricate the Brass female nipple (5), then push fit spa outlet. (FIG B)



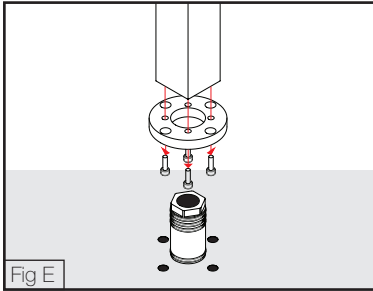
3. Align spa outlet (1) to desired position, then mark holes on floor surface. (FIG C)



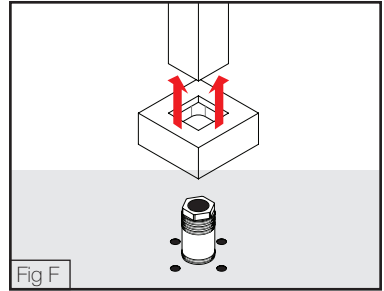
4. Lift and remove spa outlet (1) from floor surface so holes may be drilled. (FIG D)



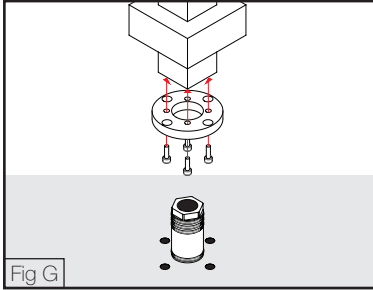
5. Using a 3mm Allen key, unscrew and remove the Brass cover plate (3) from the Spa outlet base (1). (FIG E)



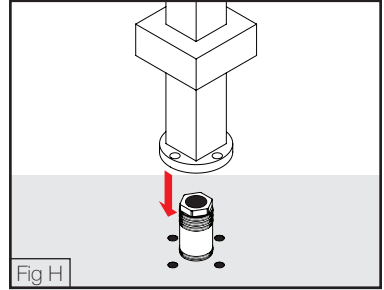
6. Slide the Chrome cover flange (2) onto the Spa outlet (1). (FIG F)



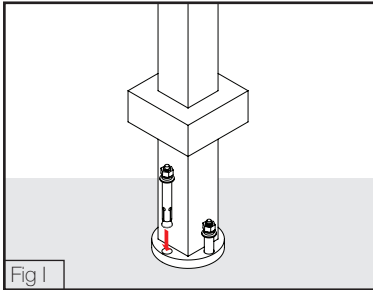
7. Secure the Brass cover plate (3) back under the Spa outlet (1) making sure to match the existing holes. (FIG G)



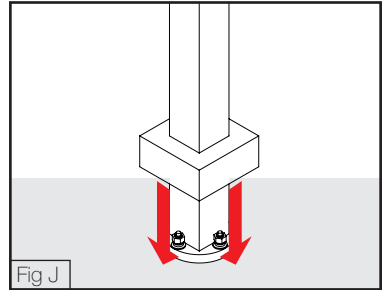
8. Push fit Spa outlet (1) onto the Brass female nipple (5). (FIG H)



9. Use the optional Dyna-bolts to mount Spa outlet (1) to floor. (FIG I)

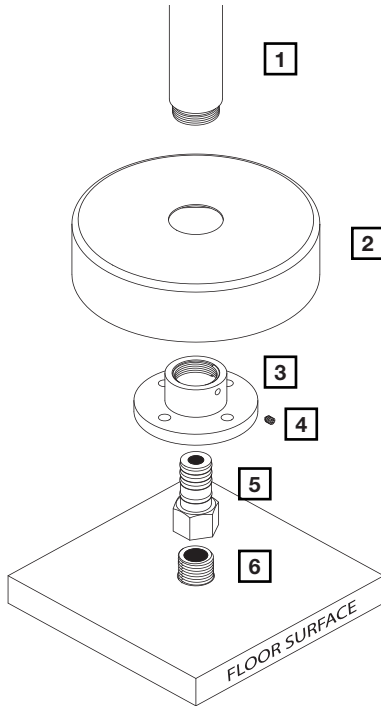
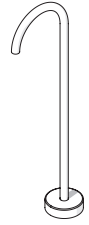


10. Slide Chrome cover flange (2) to floor surface to complete installation. (FIG J)



Lugano

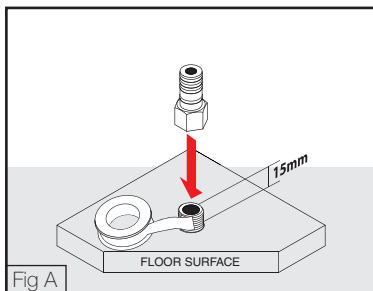
Fixed



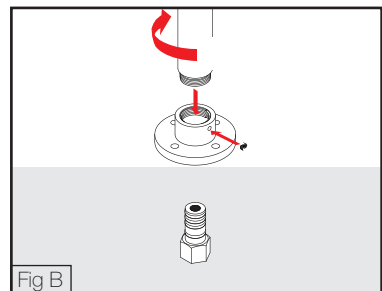
- 1** LUGANO Spa Outlet
- 2** Cover Flange
- 3** Brass Base
- 4** Grub Screw
- 5** Brass Female Nipple
- 6** Brass Male Thread

Please Note: Prior to installation ensure 1/2 inch Brass male thread (6) is protruding a maximum of 15mm from surface finish.

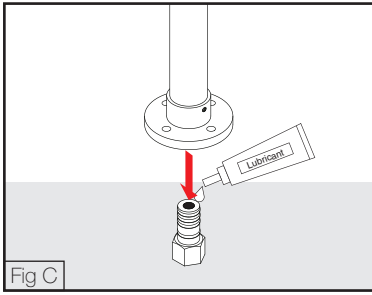
1. Wrap nylon tape around Male thread (6) before screwing the Brass female nipple (5). (FIG A)



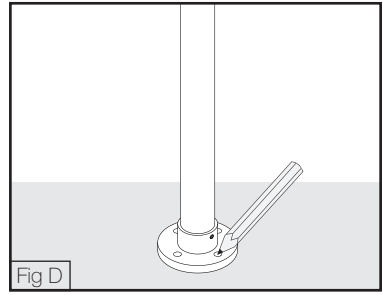
2. Screw Spa outlet (1) onto Brass base (3), then tighten grub screw (4) with 2mm Allen Key. (FIG B)



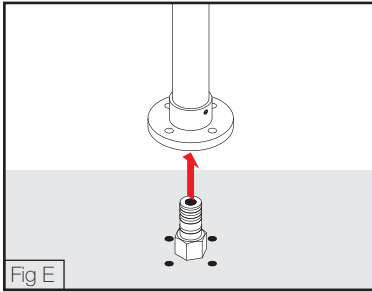
3. Lubricate the Brass female nipple (5), then push fit spa outlet. (FIG C)



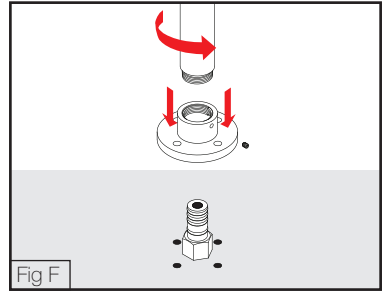
4. Align spa outlet to desired position, then mark holes on floor surface. (FIG D)



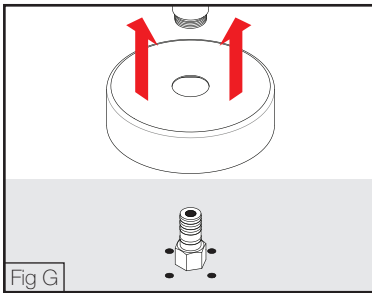
5. Lift and remove spa outlet (1)(3) from floor surface so holes may be drilled. (FIG E)



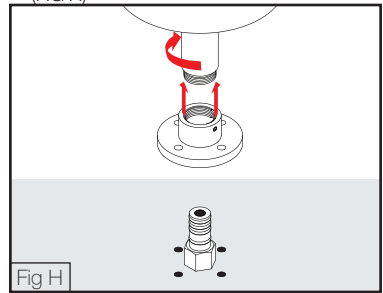
6. Unscrew and remove Brass base (3) from the Spa outlet (1). (FIG F)



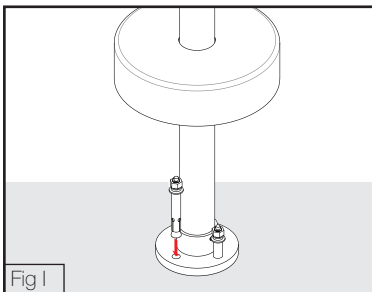
7. Slide the Chrome cover flange (2) onto the outlet (1) (FIG G)



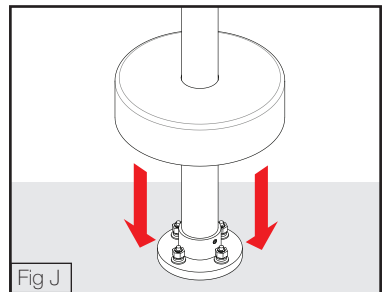
8. Screw Spa outlet (1) onto Brass base (3), then tighten grub screw with 2mm Allen Key (FIG H)



9. Use the optional Dyna-bolts to mount Spa outlet (1) to floor. (FIG I)



10. Slide Chrome cover flange (2) to floor surface to complete installation. (FIG J)





P A R
TAPS



www.partaps.com



[/ParTapsPtyLtd](https://www.facebook.com/ParTapsPtyLtd)



[@par_taps](https://www.instagram.com/par_taps)