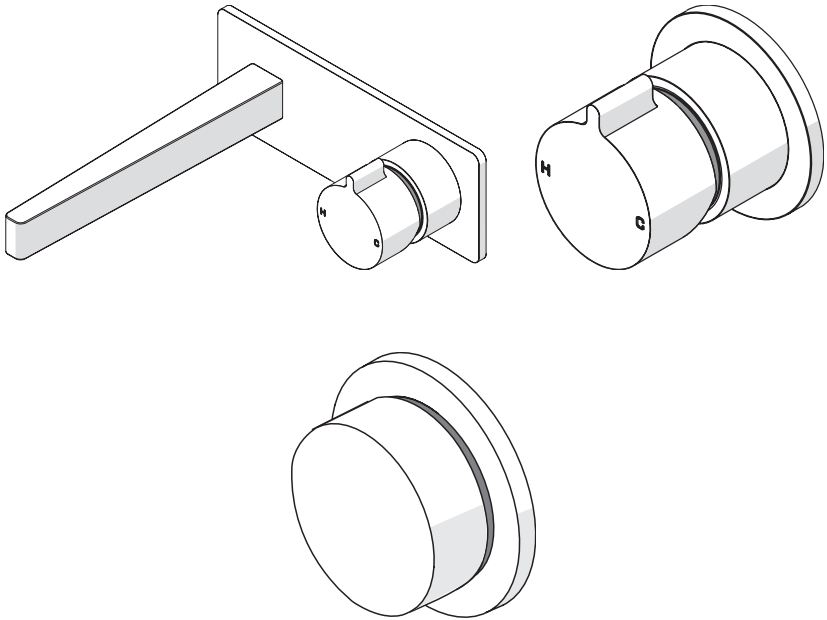


Flyte Wall Mixer Wall Mixer on Plate Remote Divertor

Installation Guide



P A R
TAPS



www.partaps.com

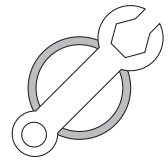


[/ParTapsPtyLtd](https://www.facebook.com/ParTapsPtyLtd)



[@par_taps](https://www.instagram.com/par_taps)

Important Information



Prior to Installation:

- Please read these instructions completely.
- All instructions serve as a guide only and must be installed by a licensed plumber in accordance with AS/NZS 3500.1. Installation carried out by unlicensed individuals will void all warranties.
- Supply lines must be flushed prior to installation to remove any foreign matter.
- All products are suitable for use with most instantaneous hot water heaters, however are not compatible with gravity-fed water systems.

Water Pressure & Temperature:

This Par Taps products are to be installed by a Licensed Plumber in accordance with AS/NZS 3500.1

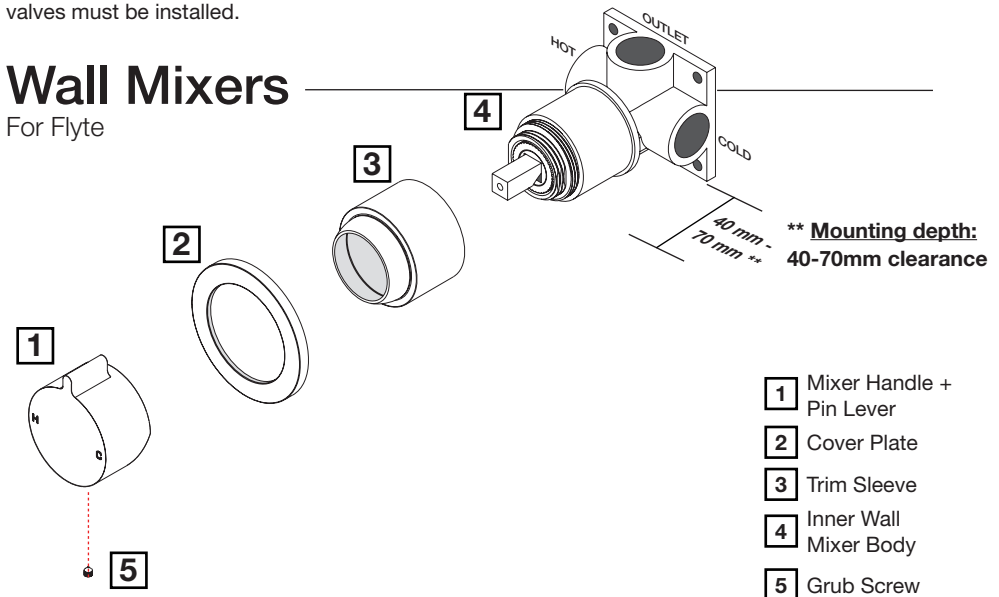
Maximum Water Temperature — — — — — 80° Celcius

Regulatory Maximum Water Pressure — — — — — 500kPa

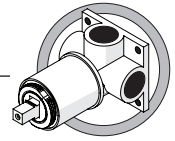
Note: In areas where the recommended maximum water pressure is exceeded, pressure-limiting valves must be installed.

Wall Mixers

For Flyte



Rough-In



Wall Cut-out Profile, Sizes and Clearances

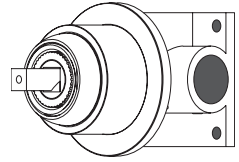
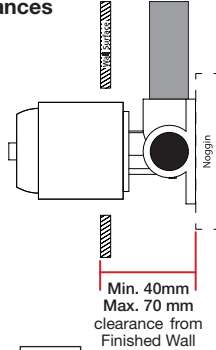
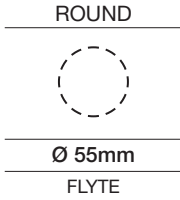


Fig 1

Fig 2

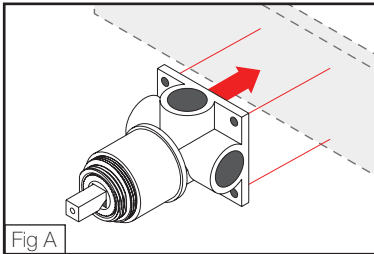
Fig 3

Rough-In Notes:

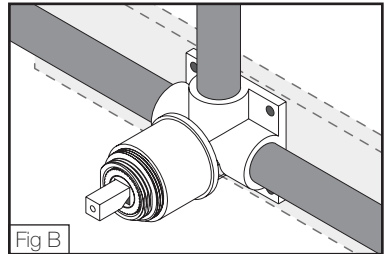
The hole sizing chart above (Fig 1) depicts the ideal profile and dimensions for wall cut out. This is to ensure the mixer Trim Sleeve (3) fits within the void over the mixer body without any interference.

Prior to installing, calculate the finished wall thickness to ensure the Cover Plate and Handle will fit the final assembly. **Recommended clearances indicated above** (Fig 2).

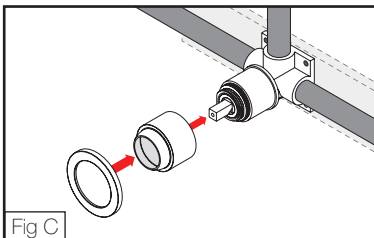
1. Screw the Inner Wall Mixer Body (4) to the noggin (Fig A) or mounting plate (where fitted). Use a spirit-level to ensure mixer is straight.



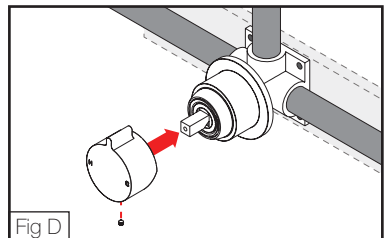
2. Connect the water supply lines to the Inner Wall Mixer Body (4) (Fig B), then connect the water outlet (H+C). Test for any signs of leaks.



3. Push fit the Mixer Trim Sleeve (3) over the Inner Wall Mixer Body (Fig C).



4. Insert and tighten the Grub Screws (5) provided to secure Mixer Handle (1). Then screw on the pin lever handle.

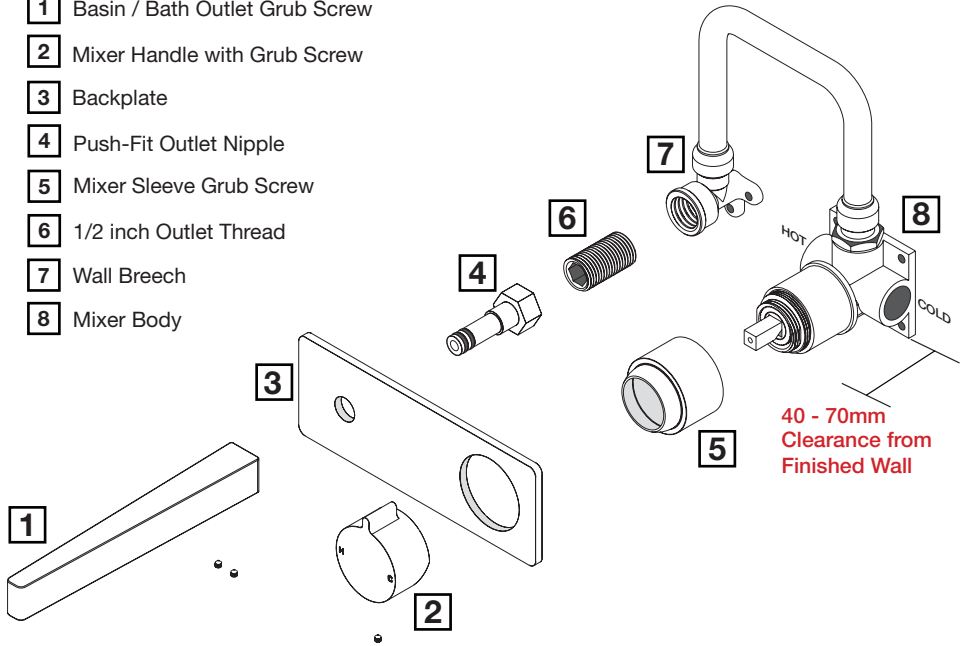


Please Note: In the diagrams above, for clarity the tile wall face has not been depicted.

Wall Mixer on Plate

For Flyte

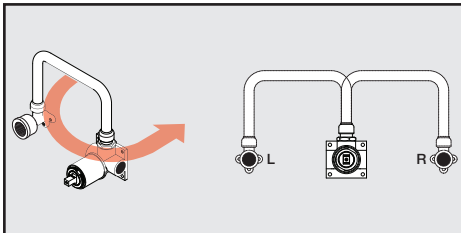
- 1 Basin / Bath Outlet Grub Screw
- 2 Mixer Handle with Grub Screw
- 3 Backplate
- 4 Push-Fit Outlet Nipple
- 5 Mixer Sleeve Grub Screw
- 6 1/2 inch Outlet Thread
- 7 Wall Breech
- 8 Mixer Body



New Innovation Mixer on Plate breach

Par Taps designed. This breach allows you to select which side you would like your outlet on.

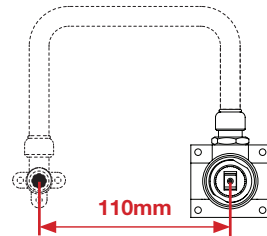
NOTE: Most applications, the outlet is on the left of the wall mixer.



Note: Please ensure that the noggin depth behind the face of the wall is within specification, (40mm to 70mm from Finished Wall, See above Drawing)

Fit-off

Prior to installation of Wall mixer on plate, measure the **center-to-center** distance between Mixer Body and Outlet nipple to **130mm** (adjust if necessary).

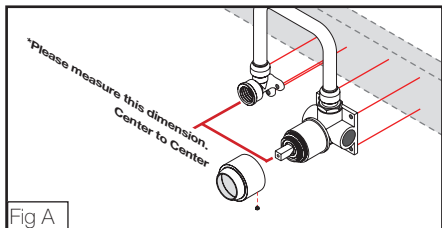


Note: Please ensure center of outlet and center of mixer cartridge are level.

1. Fit the Wall Breech (7) to the noggin. Use a spirit-level to ensure the body is straight.

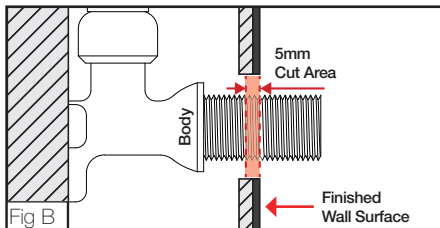
Please insert the Mixer Sleeve (5) in to the Mixer Body (8) and tighten the grub screw to secure

Cap off and test for any leaks. **Finish tiled wall before next step**

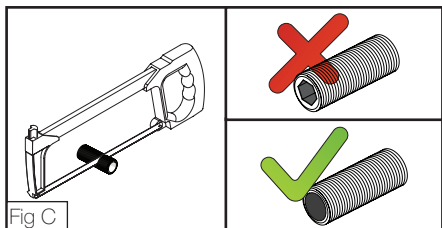


2. For correct fitment, please ensure that the 1/2 Inch Outlet Thread (6) is cut either to the face of the finished wall or up to 5mm behind the finished wall.

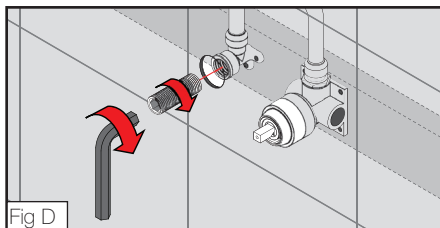
NIPPLE CANNOT SIT PROUD



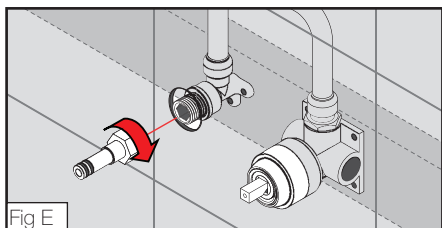
3. Cut the **non-hex** end of the thread to enable ease of fitment.



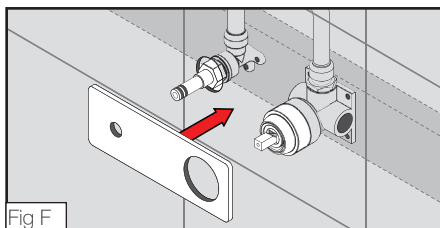
4. Fit the 1/2 Inch Outlet Thread (6) into the Wall Breech (7). Ensure a thread sealer has been applied and tighten with a 12mm Allen Key.



5. Screw the Push-Fit Outlet Nipple (4) onto the 1/2 Inch Thread (6). Tighten with a spanner.



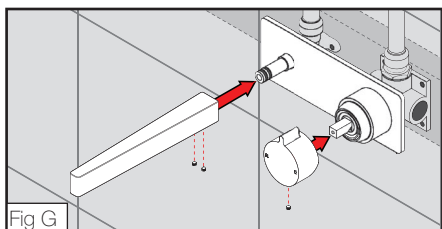
6. Slide the Backplate (3) over the assembly until flush with wall surface.



7. Push-fit the Outlet (1), ensure it is firmly pushed onto the nipple and use the locator pin to align the outlet.

Fit the Mixer Handle (2) to the main body by firmly pushing it onto the mixer cartridge.

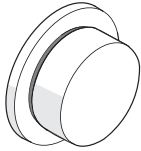
Tighten all the grub screws for the outlet and handle to secure. Installation Complete!



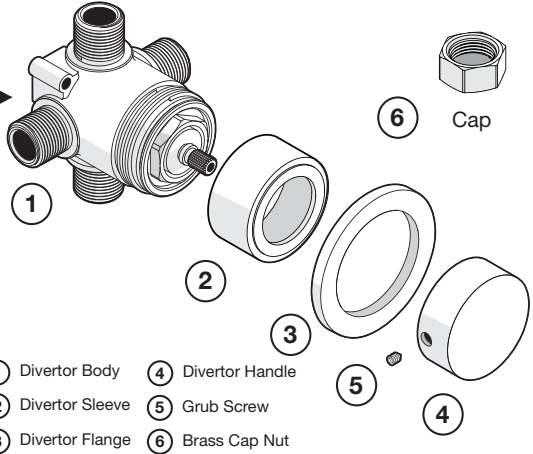
Remote Wall Divertor

Finished Assembly

Fig 1:

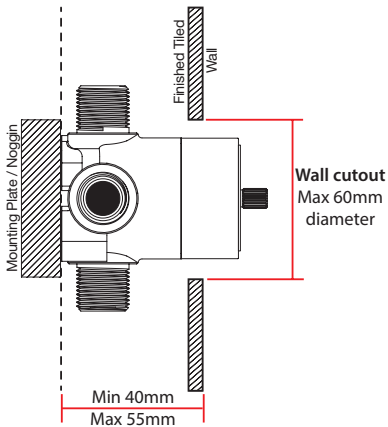


Divertor Parts List



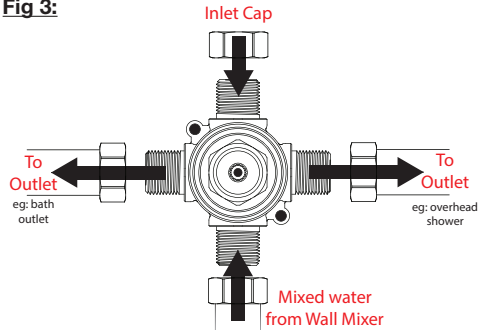
Rough-in

Fig 2:



Divertor Connections

Fig 3:



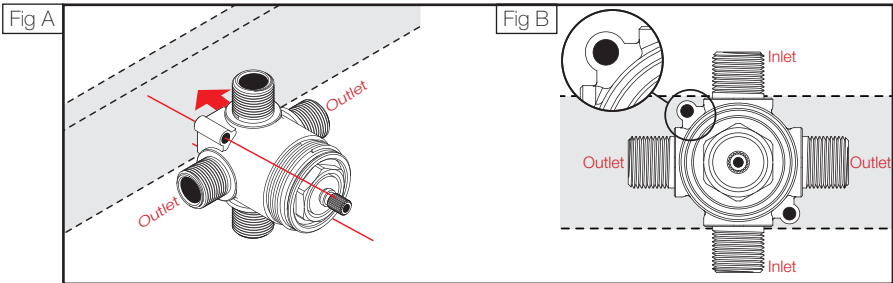
Please Note: Divertor can be remotely anywhere in the bathroom.

* Only 1 inlet on Divertor body can be used for install. Refer to (Fig 3) for Inlet locations

Please Note: Divertors have different set back compared to wall mixers.

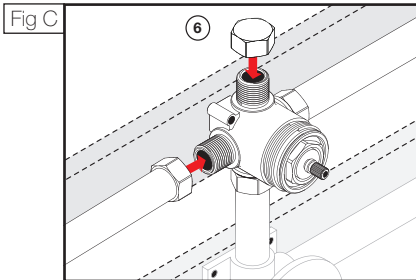
1. Screw main Divertor body (1) to the mounting panel (noggin) (Fig A) through mounting holes.
For correct orientation of divertor body, please ensure divertor screw holes (depicted in Fig B) are located in the Top Left and Bottom Right corners.

*Ensure that the body is level.



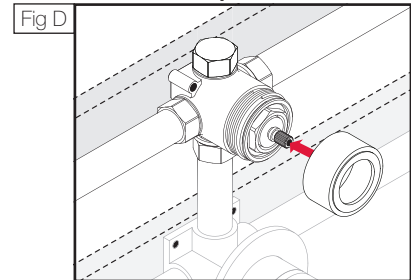
2. Connect water supply line from wall mixer to either the top or the bottom inlets (Fig 3). Ensure that you block off the non used inlet using brass cap (6).

Connect water outlet lines to your desired points. Pressure test the unit for any leaks and also the orientation of the diversion.

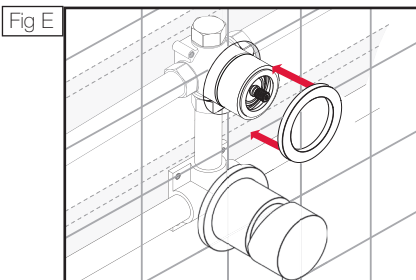


3. Screw the Divertor sleeve (2) to the main body until tight (Fig D).

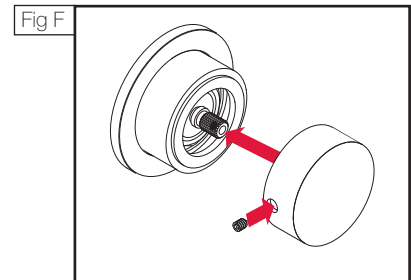
Note: To prevent damage to divertors surface finish, protect the divertor whilst finishing wall surface to complete fit-off.



4. Push fit the Divertor Flange (3) over the sleeve body (2) until it meets with the tiled wall face (Fig E)



5. Firmly push the Divertor handle (4) to the main body (Fig F). Tighten the grub screw to secure, then insert the plastic cover cap over the screw hole to finish.



Please Note: In the diagrams above, for clarity the tile wall face has not been depicted.



P A R
TAPS