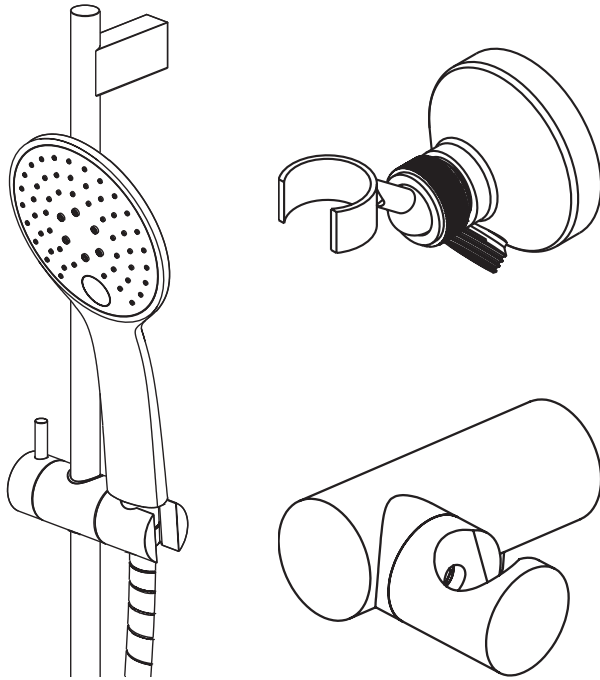




P A R
TAPS

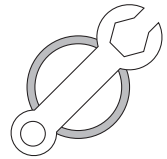


Handshower on Rail & Handshower on Wall Bracket

Installation Guide

Ver 26.1

Important Information



Prior to Installation:

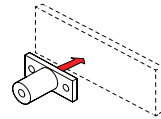
- Please read these instructions completely.
- All instructions serve as a guide only and must be installed by a licensed plumber in accordance with AS/NZS 3500.1. Installation carried out by unlicensed individuals will void all warranties.
- Supply lines must be flushed prior to installation to remove any foreign matter.
- All products are suitable for use with mains pressure and most instantaneous hot water heaters. However, they are not compatible with gravity-fed water systems.
- Please check all measurements prior to drilling holes in

Mounting Guide

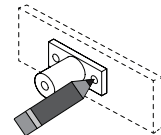
For Bell and Tudor only

Please Note: If there is no mounting bracket supplied for your accessory, skip to Step 2.

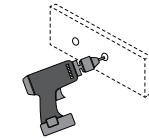
1. If a bracket is supplied, position it on the wall in the desired mounting location, preferably where a wall noggin is located



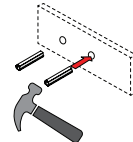
2. Mark the intended mounting points. If a bracket is supplied, do so using the bracket holes as a template. Ensure it is positioned straight and level on the wall.



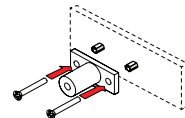
3. Drill the mounting holes to suit the plastic plugs provided



4. Tap the plastic plugs into place and fit the accessory bracket over them through the corresponding holes.



5. Install screws through the plastic plugs into the wall, where appropriate, fit locking rings or collars over the plastic plugs before installing screws. Install and tighten any grub screws supplied.



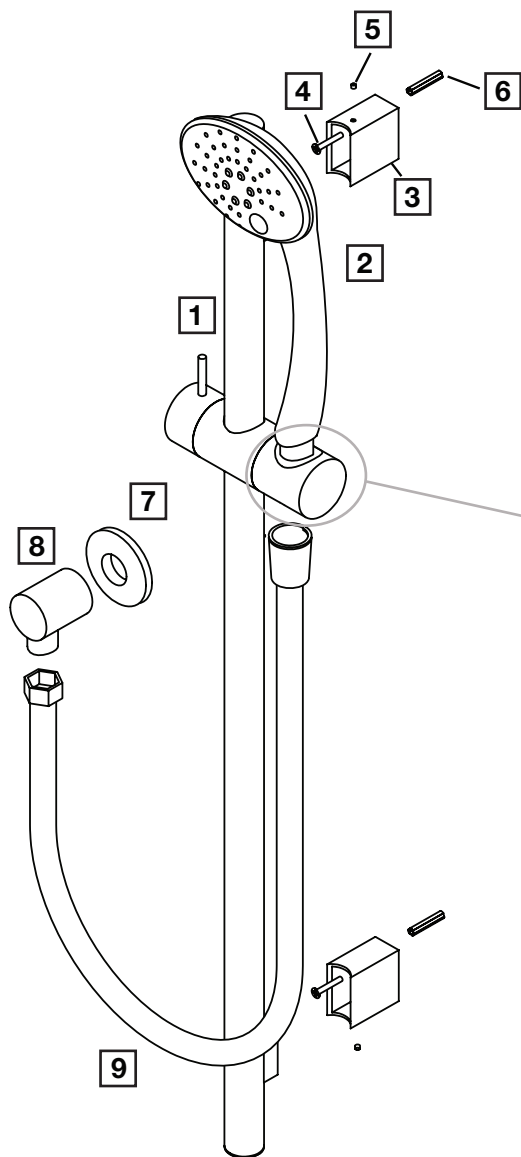
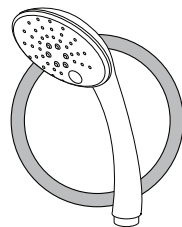
Handshowers



P A R
TAPS

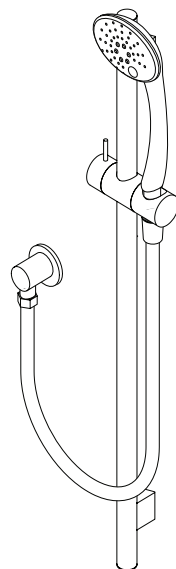
Lugano

Handshower



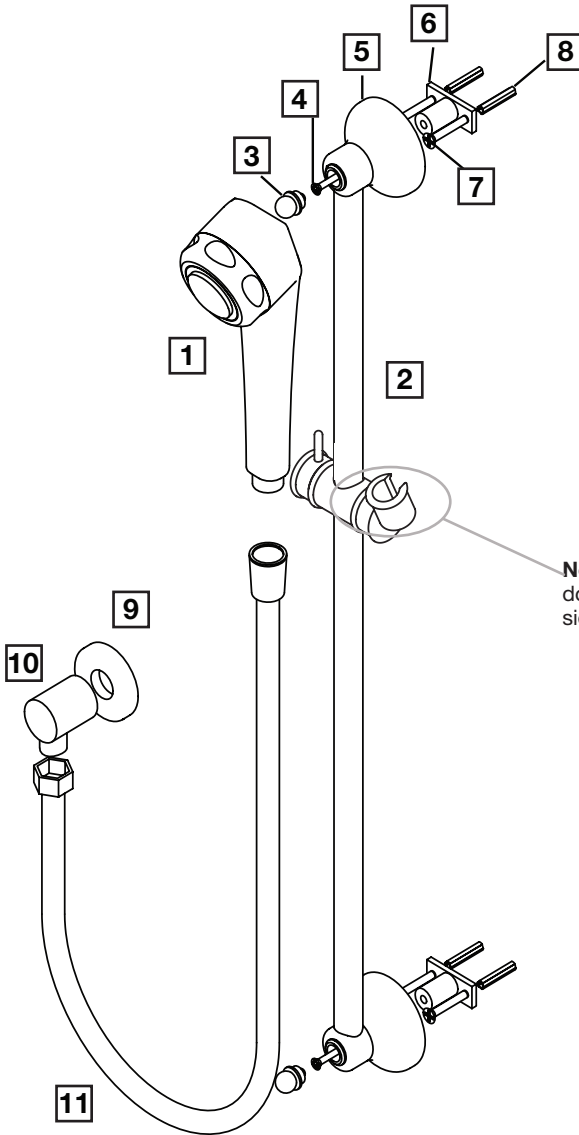
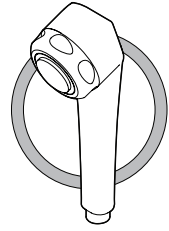
- 1 Rail
- 2 Handshower
- 3 Wall Bracket
- 4 Wall Screws
- 5 Grub Screw
- 6 Wall Plugs
- 7 Flange
- 8 Hose Connection
- 9 Hose

Note: Please ensure that handshower dock opening is on the right hand side of rail



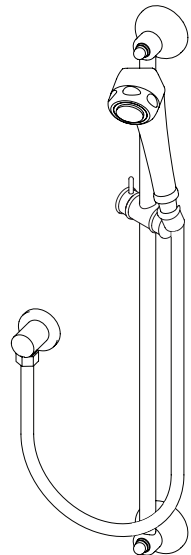
Tudor & Bell

Handshower



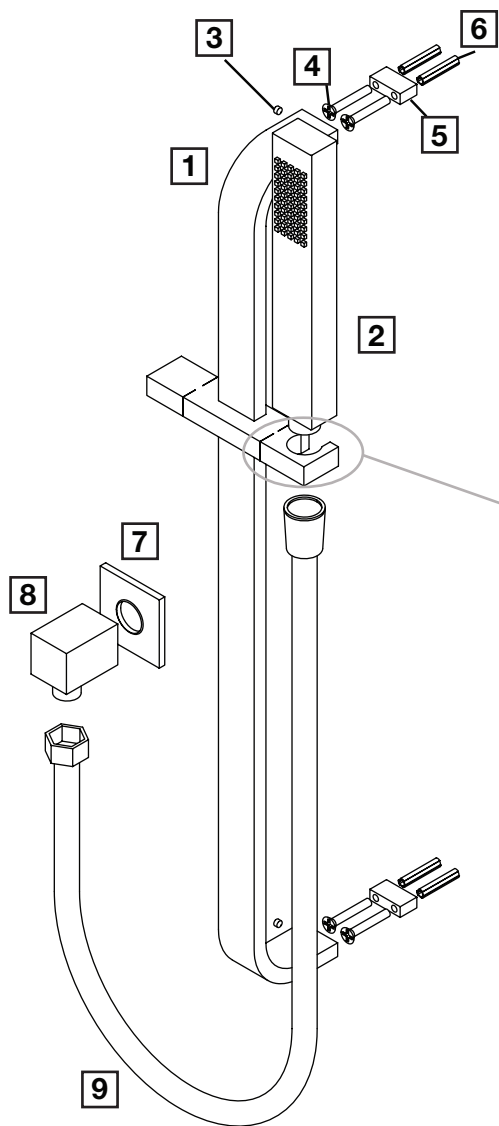
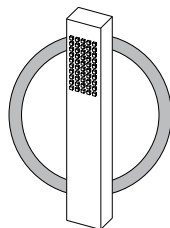
- 1** Handshower
- 2** Rail
- 3** Decorative Nut
- 4** Rail Screw
- 5** Wall Flange
- 6** Wall Bracket
- 7** Wall Screws
- 8** Wall Plugs
- 9** Wall Hose Flange
- 10** Hose Connection
- 11** Hose

Note: Please ensure that handshower dock opening is on the right hand side of rail



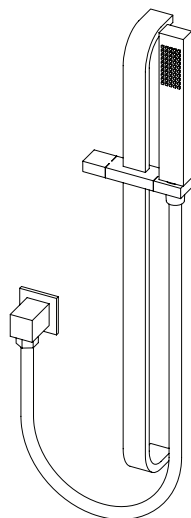
Burj

Handshower



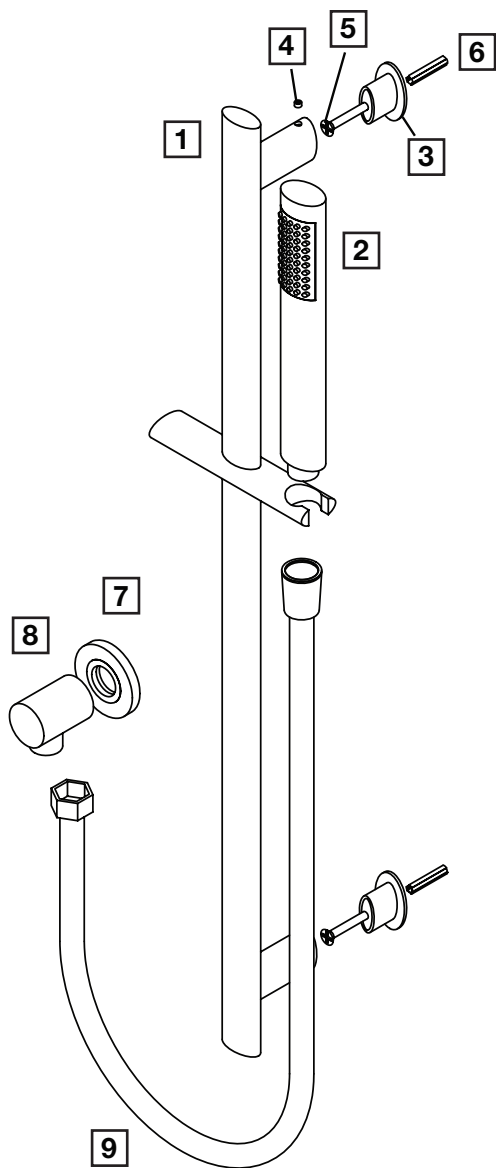
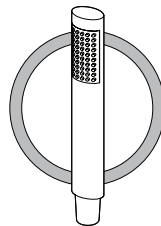
- 1 Rail
- 2 Handshower
- 3 Wall Bracket
- 4 Wall Screws
- 5 Grub Screw
- 6 Wall Plugs
- 7 Flange
- 8 Hose Connection
- 9 Hose

Note: Please ensure that handshower dock opening is on the right hand side of rail

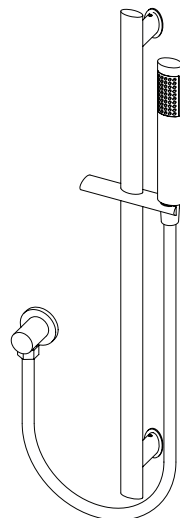


Oracle

Handshower



- 1** Rail
- 2** Handshower
- 3** Wall Bracket
- 4** Wall Screws
- 5** Grub Screw
- 6** Wall Plugs
- 7** Flange
- 8** Hose Connection
- 9** Hose

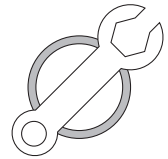


Wall Bracket



P A R
TAPS

Important Information



Prior to Installation:

- Please read these instructions completely.
- All instructions serve as a guide only and must be installed by a licensed plumber in accordance with AS/NZS 3500.1. Installation carried out by unlicensed individuals will void all warranties.
- Supply lines must be flushed prior to installation to remove any foreign matter.
- All products are suitable for use with most instantaneous hot water heaters, however are not compatible with gravity-fed water systems.
- Please check all measurements prior to drilling holes in

Water Pressure & Temperature:

This Par Taps products are to be installed by a Licensed Plumber in accordance with AS/NZS 3500.1

Maximum Water Temperature — — — — — 80° Celcius

Maximum Water Pressure — — — — — 1600kPa

Regulatory Maxumim Water Pressure — — — — — 500kPa

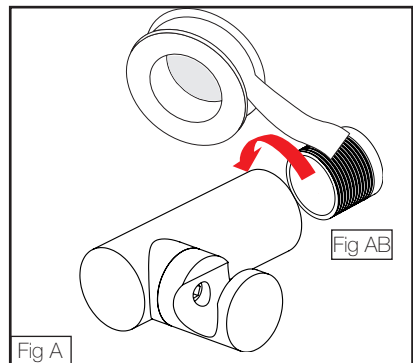
Note: In areas where the recommended maximum water pressure is exceeded, pressure-limiting valves must be installed.

Installation

1. First, remove the old shower components from the female thread in the wall. Ensure the thread has not been damaged and is in good condition.

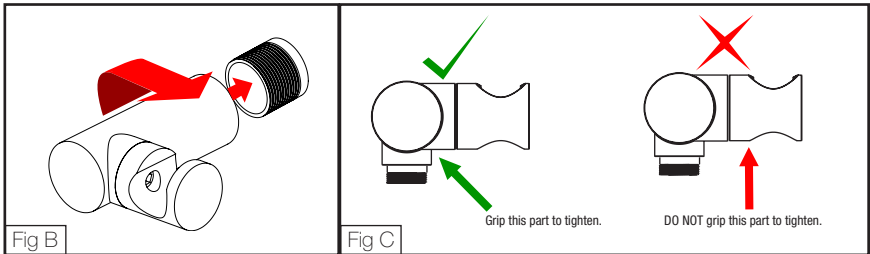
To prepare the thread for connection to the wall bracket, apply teflon tape to the 1/2 inch male thread (Fig. AB) in a counter-clockwise direction to ensure a reliable connection. (Fig. A)

Teflon tape is available from most hardware or plumbing stores.



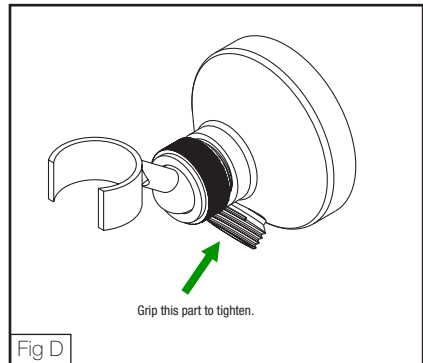
1/2 inch male thread is not supplied

2. Screw the wall bracket onto the female thread in the wall in a clockwise direction. (Fig. B)
 - Use the water hose connection on the underside of the bracket for leverage to tighten. Do not tighten using the handshower mount. (Fig. C)
- This is true for all brackets with integrated mounts as depicted.



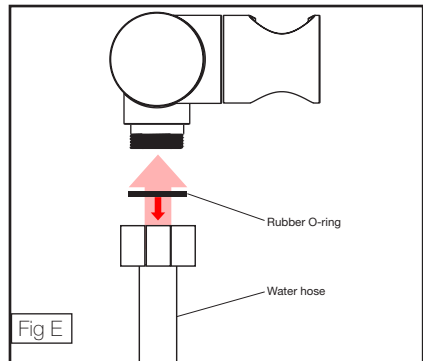
Note: Lugano products have been used for illustrative purposes. Wall Brackets from other ranges follow identical procedures.

3. For handshower brackets from ranges such as Tudor, Vogue and Bell, the water hose connection is still to be used for tightening leverage. (Fig. D)



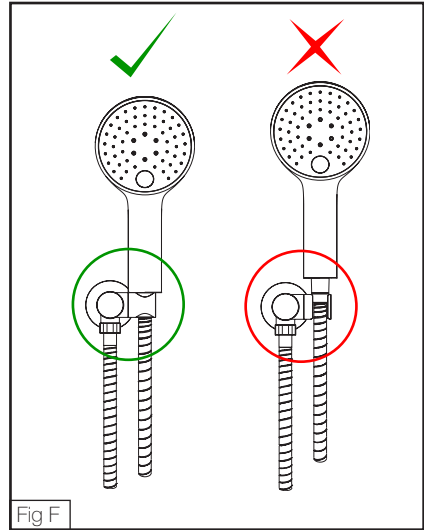
4. Connect the end of the hose to the hose mount on the bracket, ensuring rubber O-ring is placed in the connecting nut as shown. (Fig. E)

Tighten and check for any leaks.



5. Rotate the shower bracket mount so the opening faces the wall as in the image below, and place the shower in the bracket. (Fig. F)
In the case of Tudor, Vogue and Bell handshowers, the opening will always face the front.

Installation Complete.





P A R
TAPS



www.partaps.com



[/ParTapsPtyLtd](https://www.facebook.com/ParTapsPtyLtd)



[@par_taps](https://www.instagram.com/par_taps)