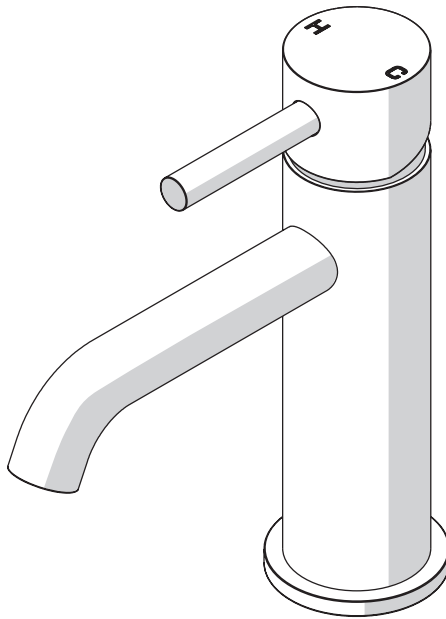


Hob Basin & Bidet Mixers

Installation Guide



P A R
TAPS



www.partaps.com

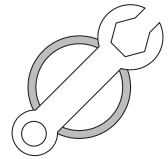


[/ParTapsPtyLtd](https://www.facebook.com/ParTapsPtyLtd)



[@par_taps](https://www.instagram.com/par_taps)

Important Information



Prior to Installation:

- Please read these instructions completely.
- All instructions serve as a guide only and must be installed by a licensed plumber in accordance with AS/NZS 3500.1. Installation carried out by unlicensed individuals will void all warranties.
- Supply lines must be flushed prior to installation to remove any foreign matter.
- All products are suitable for use with most instantaneous hot water heaters, however are not compatible with gravity-fed water systems.

Water Pressure & Temperature:

This Par Taps products are to be installed by a Licensed Plumber in accordance with AS/NZS 3500.1

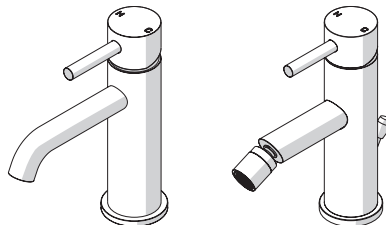
Maximum Water Temperature — — — — — — — — — — 80° Celcius

Regulatory Maximum Water Pressure — — — — — — — — — — 500kPa

Note: In areas where the recommended maximum water pressure is exceeded, pressure-limiting valves must be installed.

Page of Contents

Hob Basin Mixer <i>Bolt-Type Installation</i>	4
Hob Basin Mixer <i>Brass Mount Installation</i>	6
Hob Basin Mixer <i>Sleeves-Type Installation</i>	8
Hob Bidet Mixer <i>with Pop-Up Waste</i>	10

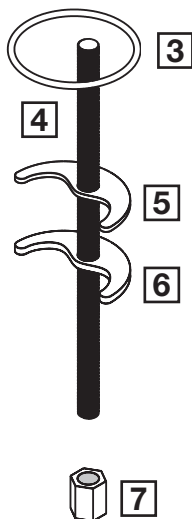
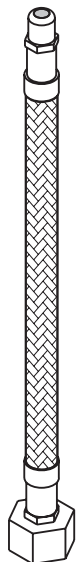
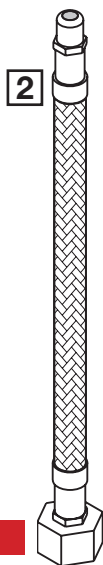
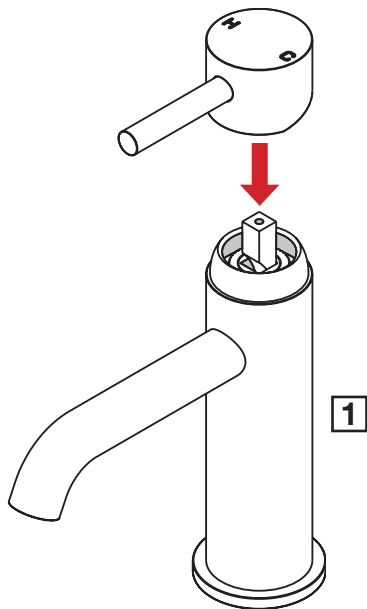


This page is left intentionally blank

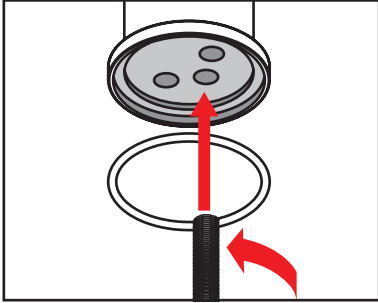
Hob Basin Mixer

Bolt-Type Installation

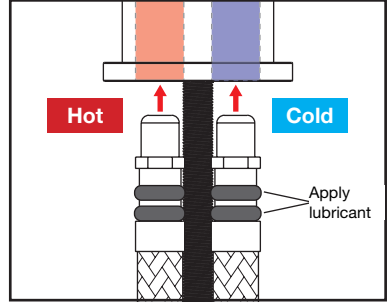
- 1** Basin Mixer
- 2** Water Hoses
- 3** O-Ring
- 4** Threaded Rod
- 5** Nylon Washer
- 6** Brass Washer
- 7** Hex Bolt



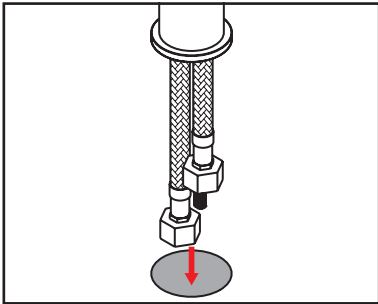
1. Insert and screw the Brass Thread Rod (4) underneath the Basin Mixer Body (1) and place the O-Ring (3) under the base plate



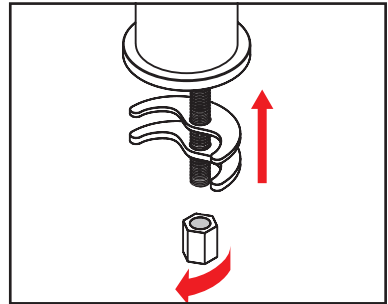
2. Apply lubricant to the o-rings of the Water Hoses (2). Then insert and tighten them underneath the Basin Mixer Body (1) to the matching colour indicators.



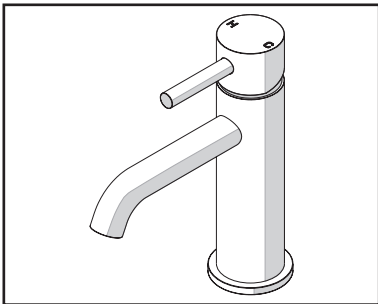
3. Align and place the assembled body (1) and hoses (2) into the basin mounting hole.



4. Fit the Washers (5) (6) onto the Threaded Rod (4). Ensure the Nylon Washer (5) is above the Brass Washer (6). Fit and tighten the Hex Bolt (7) to finger-tight



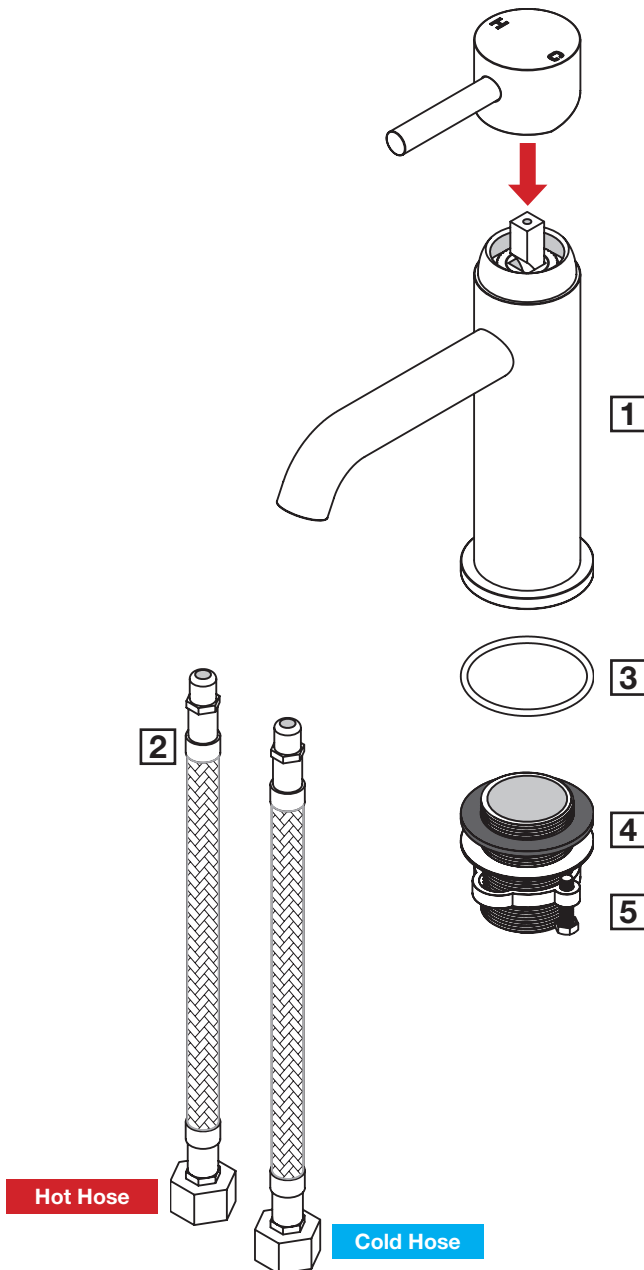
5. After installation, ensure that the mixer is secured firmly and there are no signs of any leaks



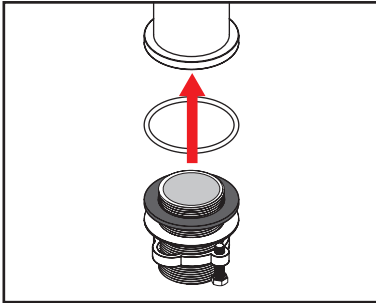
Hob Basin Mixer

Brass Mount Installation

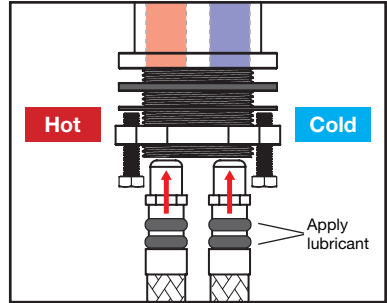
- 1** Basin Mixer
- 2** Water Hoses
- 3** O-Ring
- 4** Brass Mount & Washers
- 5** Bolted Locknut



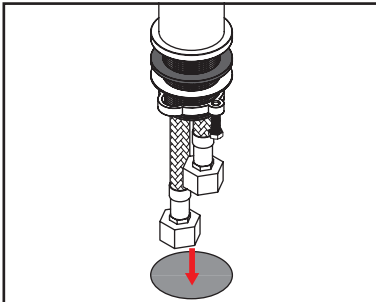
1. Insert the O-Ring (1) under the base plate. Then screw in the Brass Mount (4) under the Basin Mixer Body (1)



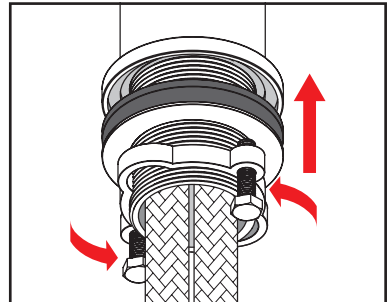
2. Apply lubricant to the o-rings of the Water Hoses (2). Then insert and tighten them underneath the Basin Mixer Body (1) to the matching colour indicators.



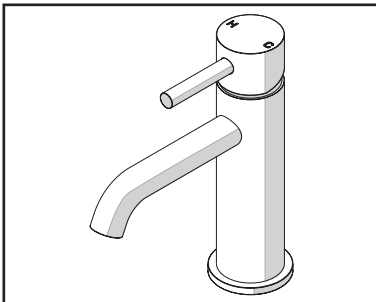
3. Align and place the assembled body (1) and hoses (2) into the basin mounting hole.



4. From the underside, fit the washers and locknut ring over the brass sleeve (4). Use the bolted locknut (5) to screw in and tighten in place

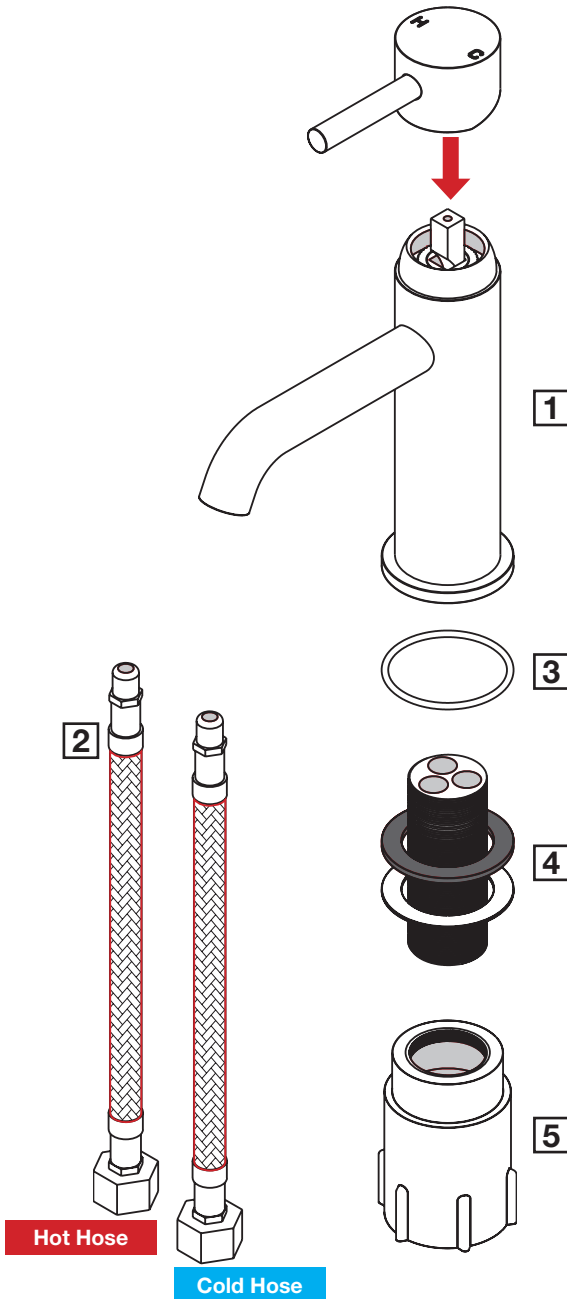


5. After installation, ensure that the mixer is secured firmly and there are no signs of any leaks



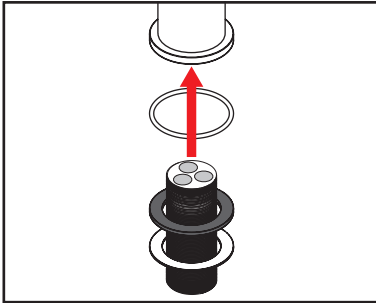
Hob Basin Mixer

Sleeves-Type Installation

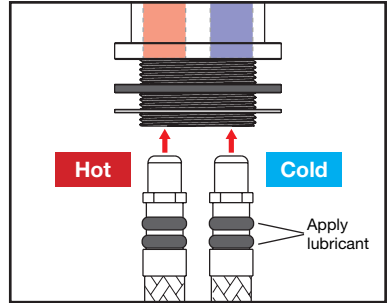


- 1** Basin Mixer
- 2** Water Hoses
- 3** O-Ring
- 4** Brass Screw & Washers
- 5** Bolted Locknut

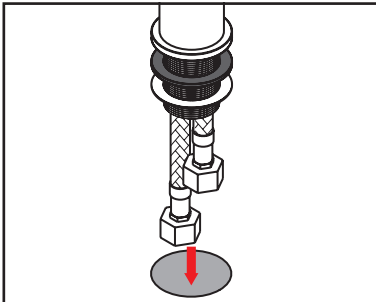
1. Insert the O-Ring (1) under the base plate. Then screw in the Brass Screw (4) under the Basin Mixer Body (1)



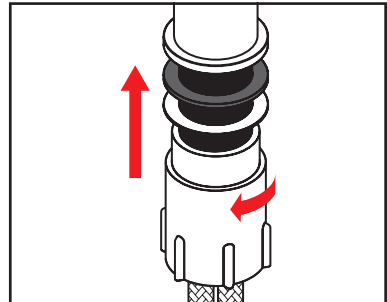
2. Apply lubricant to the o-rings of the Water Hoses (2). Then insert and tighten them underneath the Basin Mixer Body (1) to the matching colour indicators.



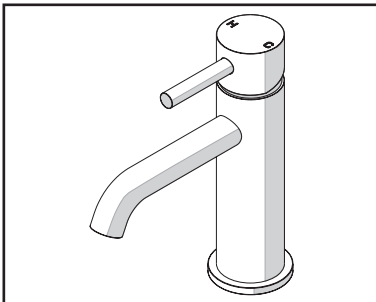
3. Align and place the assembled body (1) and hoses (2) into the basin mounting hole.



4. From the underside, fit the washers over the brass screw (4). Use the sleeve (5) to screw in and tighten in place

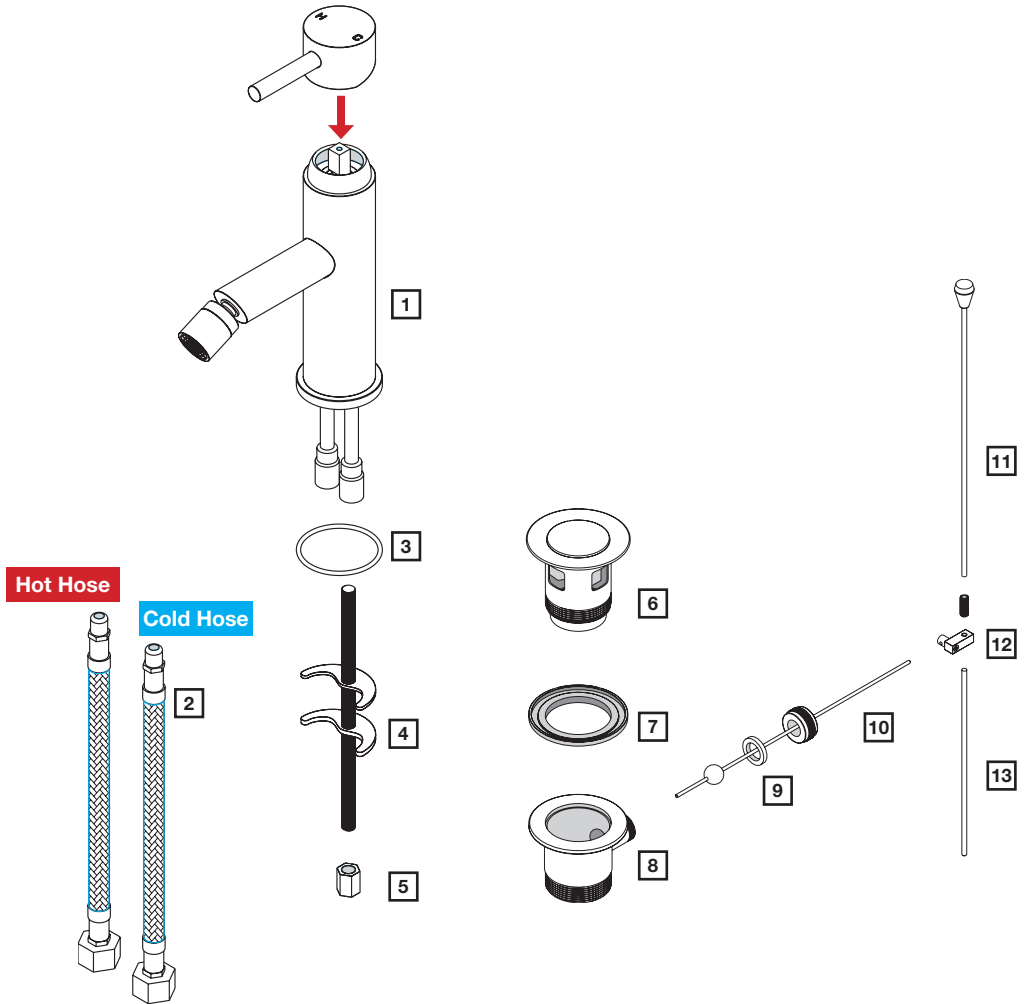


5. After installation, ensure that the mixer is secured firmly and there are no signs of any leaks



Hob Bidet Mixer

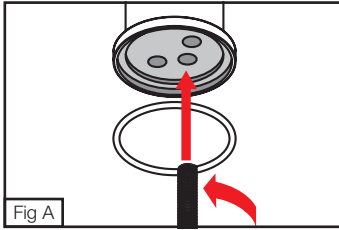
with Pop-Up Waste



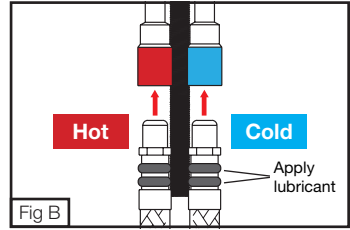
- | | | |
|---------------------------------|---------------------------|--------------------------------|
| 1 Basin Mixer | 6 Waste Body | 10 Operating Rod |
| 2 Water Hoses | 7 Rubber Washer | 11 Control Rod |
| 3 O-Ring | 8 Waste Base | 12 L Shaped Connector |
| 4 Threaded Rod & Washers | 9 Ball Joint Parts | 13 Control Rod Extender |
| 5 Bolted Locknut | | |

Note: A 32mm diameter hole is required to mount the mixer to hob bench top.

1. Insert and screw the Brass Thread Rod (4) underneath the Basin Mixer Body (1) and place the O-Ring (3) under the base plate [Fig A]

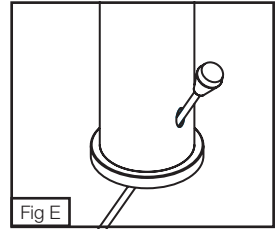
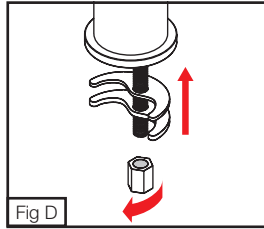
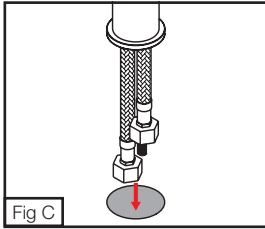


2. Apply lubricant to the o-rings of the Water Hoses (2). Then insert and tighten them underneath the Basin Mixer Body (1) to the matching colour indicators [Fig B]



3. Align and place the assembled body (1) and hoses (2) into the basin mounting hole [Fig C]
From the underside, fit and screw the Threaded Rod and Washers (4). Use the bolted locknut (5) to screw in and tighten in place [Fig D]

Insert the Control Rod (11) into the back of the Bidet Mixer body (1) to enable the pop-up action later [Fig E]

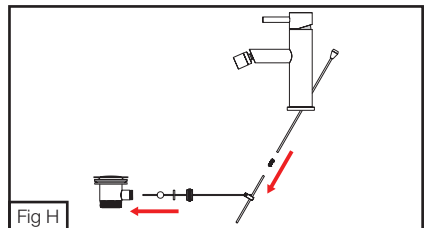
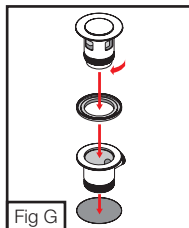
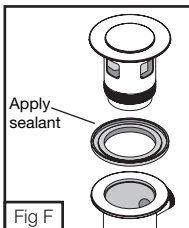


4. Disassemble the pop-up waste and apply a sealant to both faces of the Rubber Washer (7) [Fig F]

Reassemble the pop-up waste onto the basin bowl by fitting in Waste Body (6) and Rubber Washer (7) and then screw on the Waste Base (8) [Fig G]

Slide the Operating Rod (10) on the Waste Base (8). Then fit in the Ball Joint Parts (9) and tighten firmly to close it. Insert the Control Extender (13) to the L Shpared Connector (12). Then screw in and connect to the Control Rod (11) to enable the pop-up action. [Fig H]

Plug height can be set by adjusting the Operating (10) and Control Rod (11)





P A R
TAPS