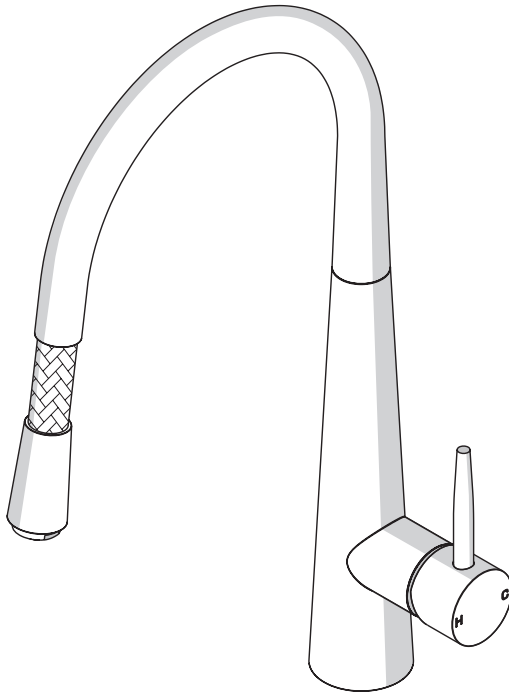


Hob Pull-Out Sink Mixers

Installation Guide



P A R
TAPS



www.partaps.com

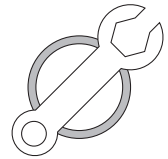


[/ParTapsPtyLtd](https://www.facebook.com/ParTapsPtyLtd)



[@par_taps](https://www.instagram.com/par_taps)

Important Information



Prior to Installation:

- Please read these instructions completely.
- All instructions serve as a guide only and must be installed by a licensed plumber in accordance with AS/NZS 3500.1. Installation carried out by unlicensed individuals will void all warranties.
- Supply lines must be flushed prior to installation to remove any foreign matter.
- All products are suitable for use with most instantaneous hot water heaters, however are not compatible with gravity-fed water systems.

Water Pressure & Temperature:

This Par Taps products are to be installed by a Licensed Plumber in accordance with AS/NZS 3500.1

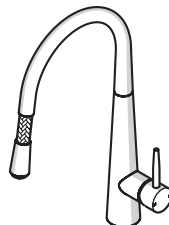
Maximum Water Temperature — — — — — — — — — — 80° Celcius

Regulatory Maximum Water Pressure — — — — — — — — — — 500kPa

Note: In areas where the recommended maximum water pressure is exceeded, pressure-limiting valves must be installed.

Page of Contents

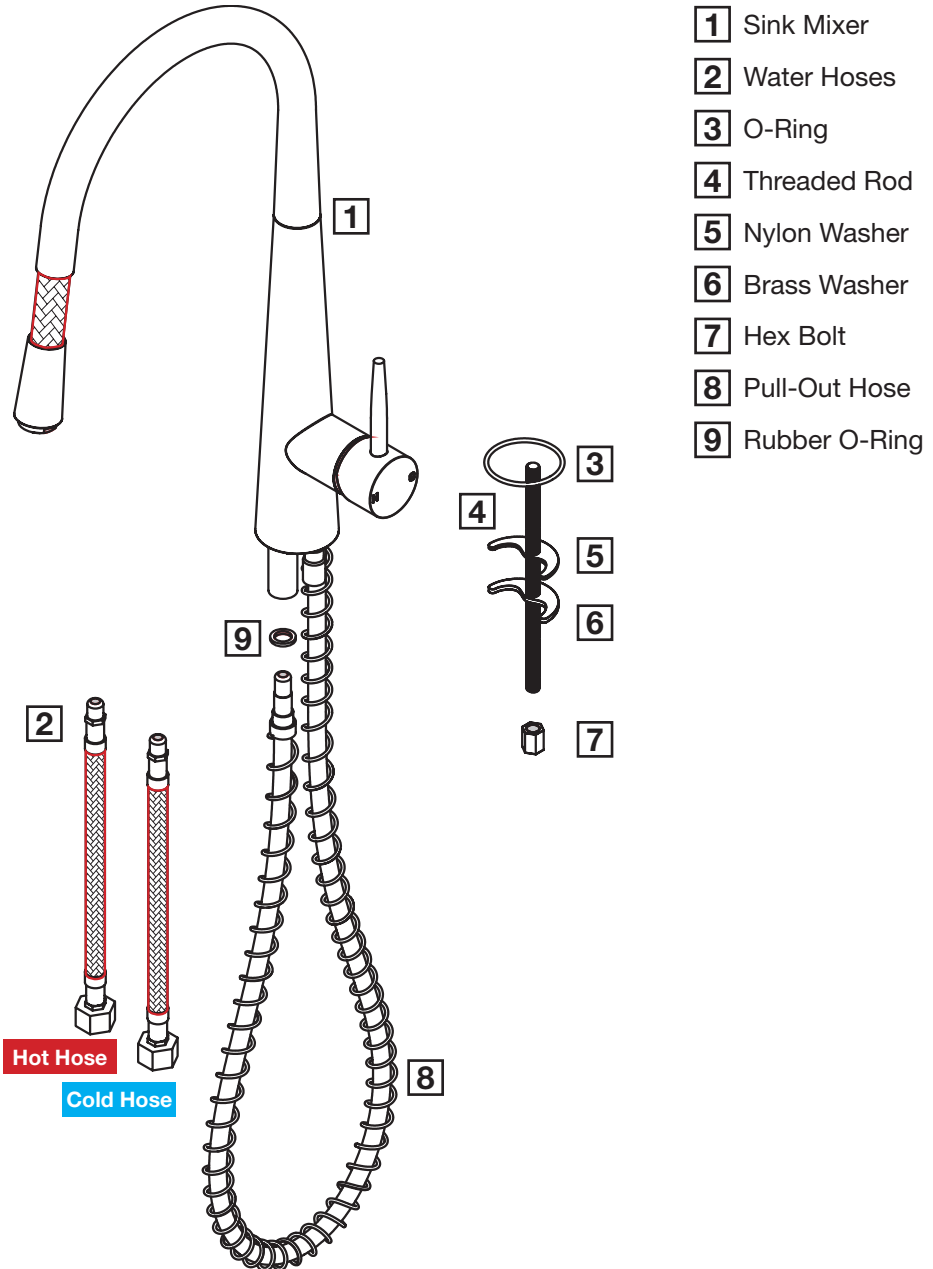
Hob Pull-Out Sink Mixer <i>Bolt-Type Installation</i>	4
Hob Pull-Out Sink Mixer <i>Brass Mount Installation</i>	6
Hob Pull-Out Sink Mixer <i>Sleeves-Type Installation</i>	8
Pull-Out Hose Disassembly	10



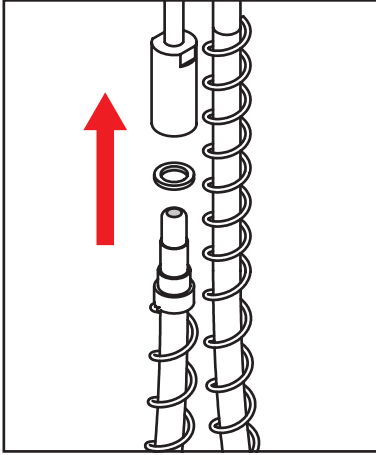
This page is left intentionally blank

Hob Pull-Out Sink Mixer

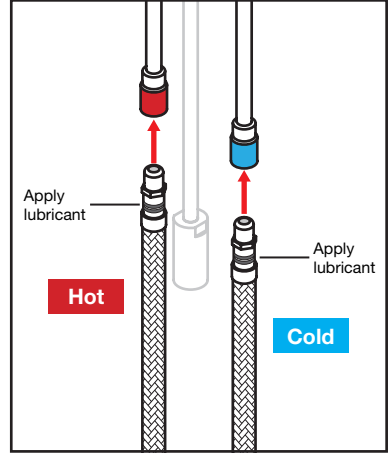
Bolt-Type Installation



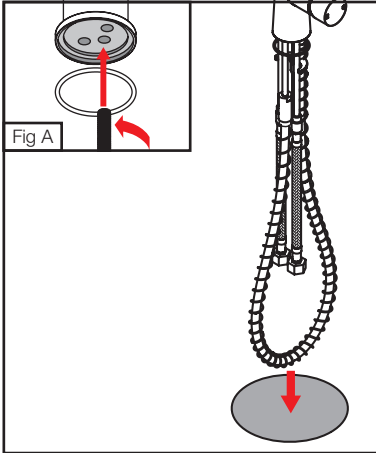
1. Place the Rubber O-Ring (9) into the pull-out connector. Then use the connection end of the Pull-Out Hose (8) to insert and tighten firmly



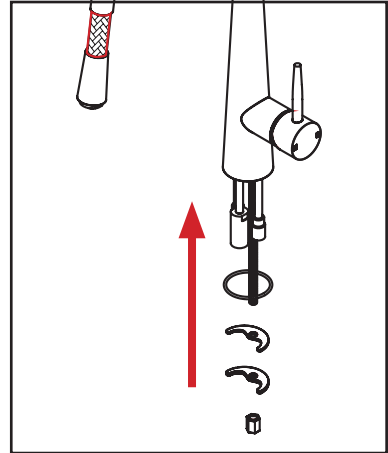
2. Apply lubricant to the o-rings of the Water Hoses (2). Then insert and tighten them underneath the Sink Mixer Body (1) to the matching colour indicators.



3. From the underside, insert O-Ring (3) and Threaded Rod (4) under the Sink Mixer Body (1) [Fig A]
Align and place the assembled body (1) and hoses (2) into the sink mounting hole.

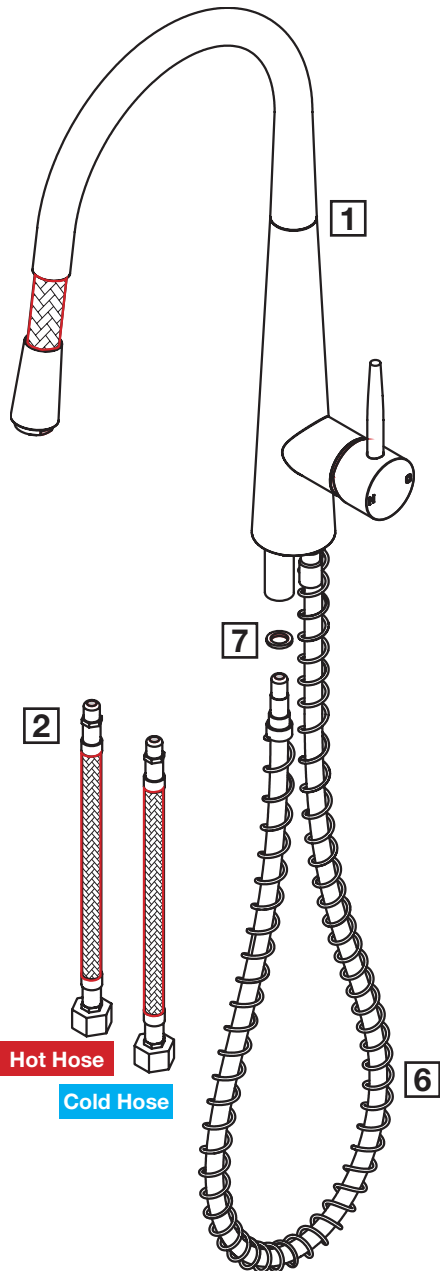


4. Fit the Nylon Washer (5) first onto Threaded Rod (4) and then Brass Washer (6) next.
Use Hex Bolt (7) to tighten and secure in place. Ensure there are no leaks



Hob Pull-Out Sink Mixer

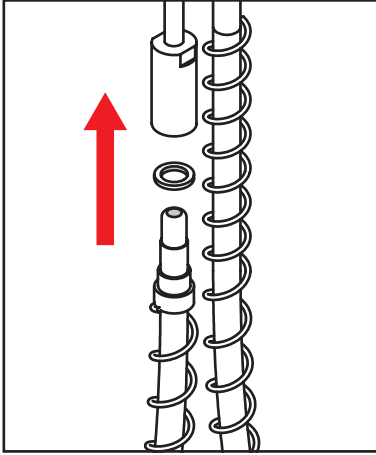
Brass Mount Installation



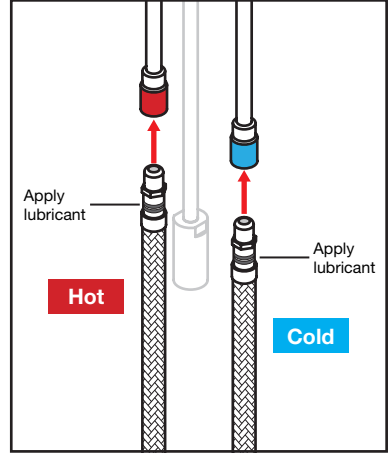
- 1 Sink Mixer
- 2 Water Hoses
- 3 O-Ring
- 4 Brass Mount & Washers
- 5 Bolted Locknut
- 6 Pull-Out Hose
- 7 Rubber O-Ring



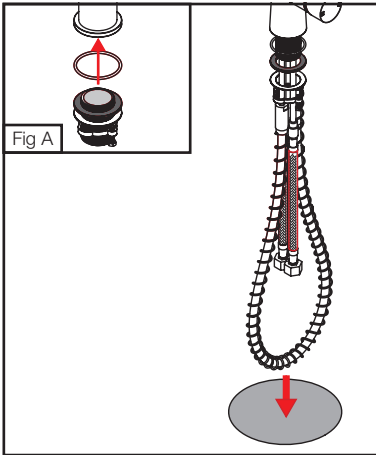
- Place the Rubber O-Ring (7) into the pull-out connector. Then use the connection end of the Pull-Out Hose (6) to insert and tighten firmly



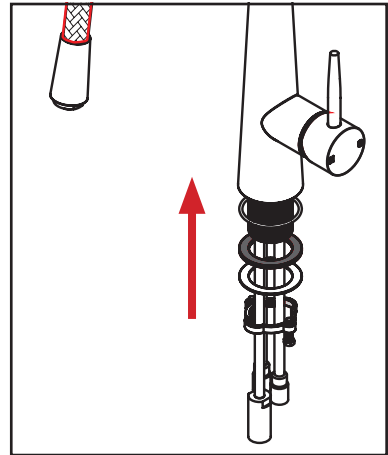
- Apply lubricant to the o-rings of the Water Hoses (2). Then insert and tighten them underneath the Sink Mixer Body (1) to the matching colour indicators.



- From the underside, insert O-Ring (3) and screw in the Brass Mount & Washer (4) into Sink Mixer Body (1) [Fig A]
Align and place the assembled body (1) and hoses (2) into the sink mounting hole.

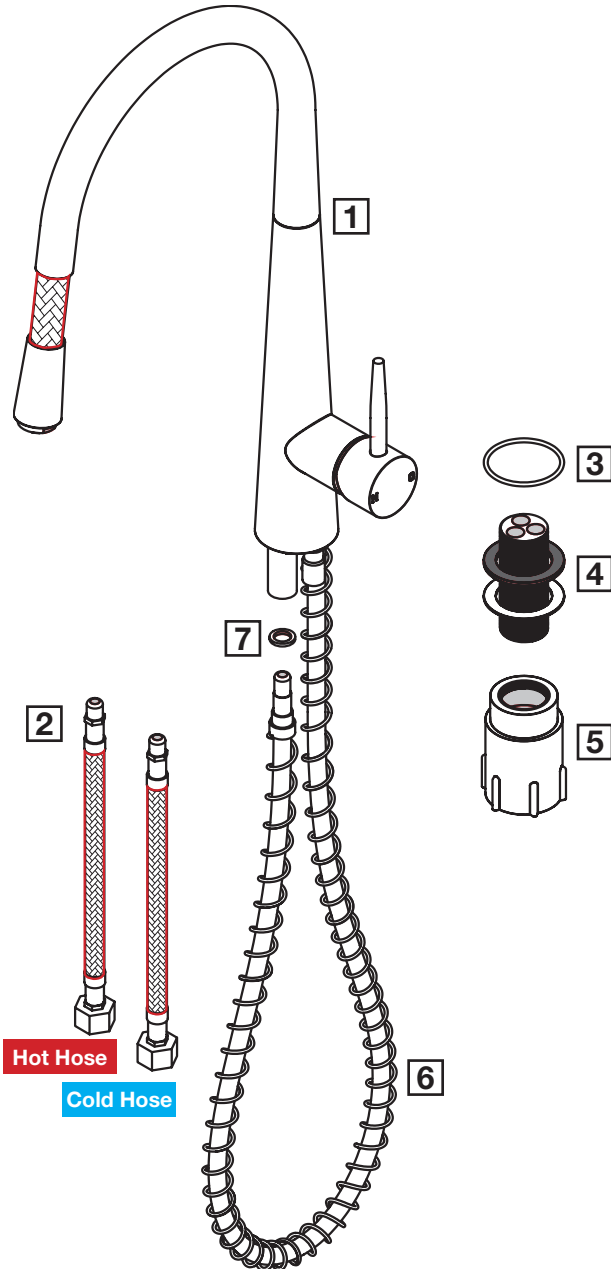


- Fit the Washers and Locknut ring over the Brass Mount (4). Use the Bolted Locknuts (5) to screw in and tighten in place.
Ensure there are no leaks after assembly



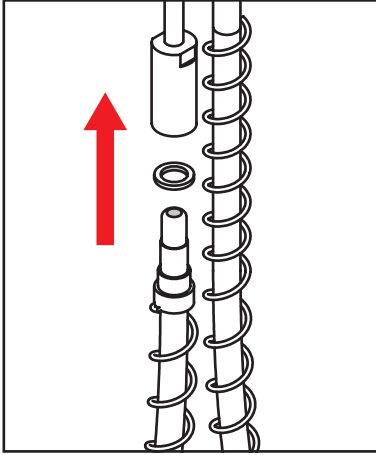
Hob Pull-Out Sink Mixer

Sleeves-Type Installation

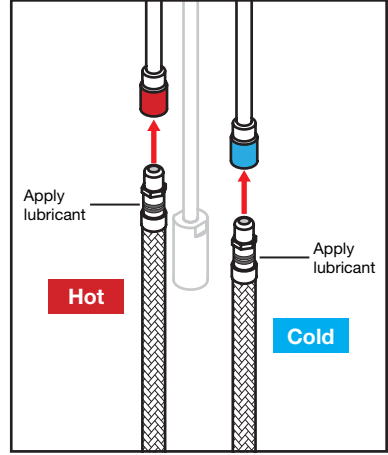


- 1 Sink Mixer
- 2 Water Hoses
- 3 O-Ring
- 4 Brass Screw & Washers
- 5 Sleeve Connector Assembly
- 6 Pull-Out Hose
- 7 Rubber O-Ring

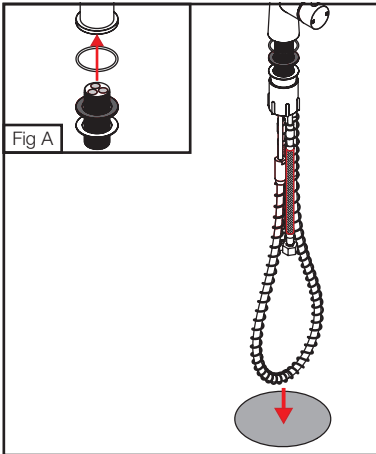
1. Place the Rubber O-Ring (7) into the pull-out connector. Then use the connection end of the Pull-Out Hose (6) to insert and tighten firmly



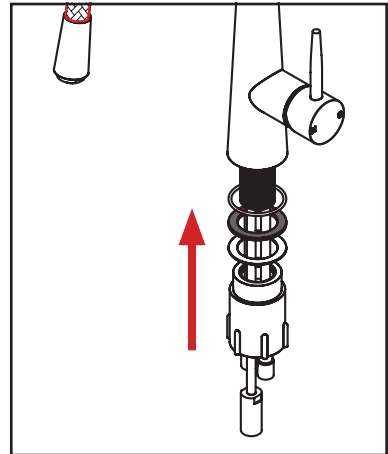
2. Apply lubricant to the o-rings of the Water Hoses (2). Then insert and tighten them underneath the Sink Mixer Body (1) to the matching colour indicators.



3. From the underside, insert O-Ring (3) and screw in the Brass Screw & Washers (4) into Sink Mixer Body (1) [Fig A]
Align and place the assembled body (1) and hoses (2) into the sink mounting hole.

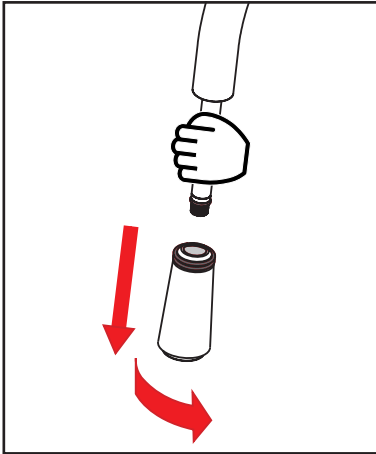


4. fit the washers over the Brass Screw (4). Use the Sleeve (5) to screw in and tighten in place
Ensure there are no leaks after assembly

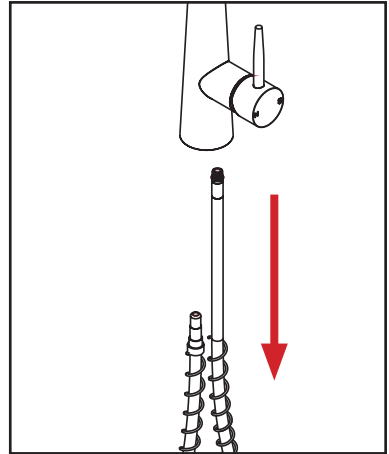


Pull-Out Hose Disassembly

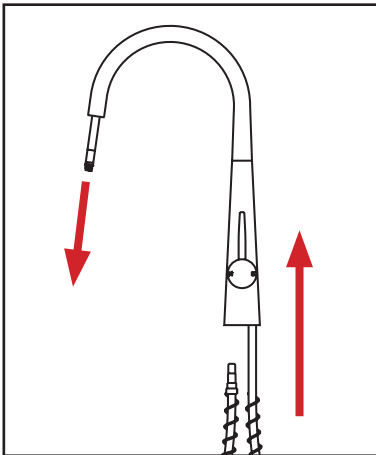
1. Unscrew the pull out handle while holding onto the hose to detach it out



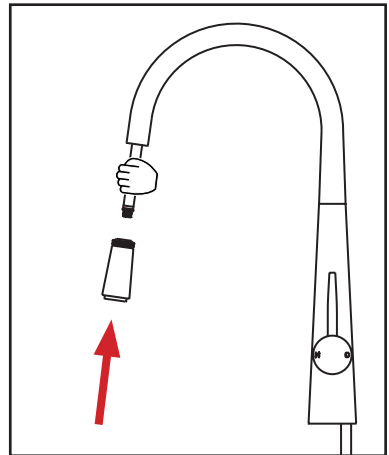
2. Remove the pull-out hose by tugging it out of the sink mixer body



3. Insert the new hose by pushing through the body and the outlet. Ensure the spring coil is not travelling through the body and outlet



4. Hold the hose from the outlet. Then screw in to reinsert the handle back to the hose. Ensure there are no leaks after replacing the pull-out hose



This page is left intentionally blank



P A R
TAPS