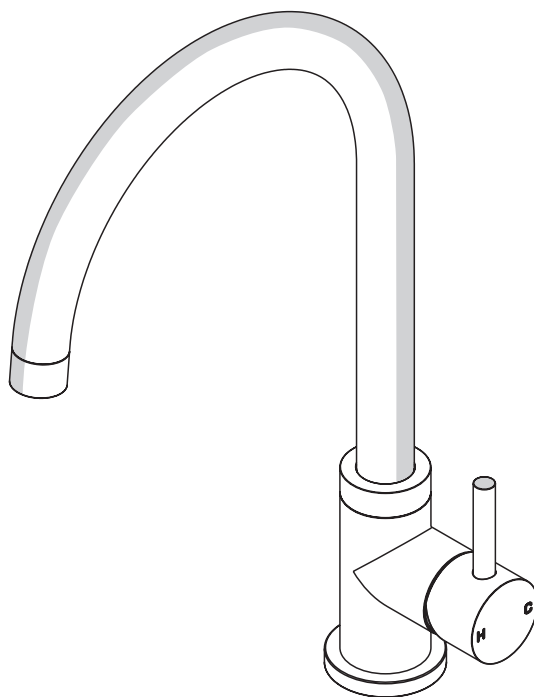


Hob Sink Mixers

Installation Guide



P A R
TAPS



www.partaps.com

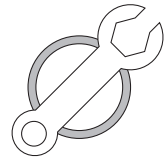


[/ParTapsPtyLtd](https://www.facebook.com/ParTapsPtyLtd)



[@par_taps](https://www.instagram.com/par_taps)

Important Information



Prior to Installation:

- Please read these instructions completely.
- All instructions serve as a guide only and must be installed by a licensed plumber in accordance with AS/NZS 3500.1. Installation carried out by unlicensed individuals will void all warranties.
- Supply lines must be flushed prior to installation to remove any foreign matter.
- All products are suitable for use with most instantaneous hot water heaters, however are not compatible with gravity-fed water systems.

Water Pressure & Temperature:

This Par Taps products are to be installed by a Licensed Plumber in accordance with AS/NZS 3500.1

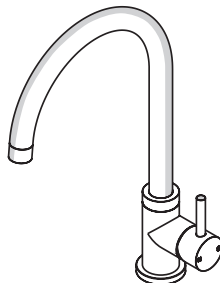
Maximum Water Temperature — — — — — — — — — — 80° Celcius

Regulatory Maximum Water Pressure — — — — — — — — — — 500kPa

Note: In areas where the recommended maximum water pressure is exceeded, pressure-limiting valves must be installed.

Page of Contents

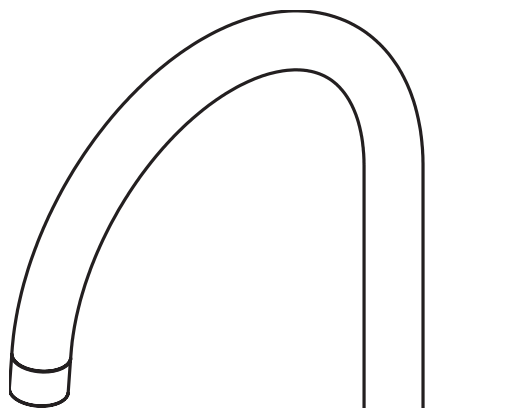
Hob Sink Mixer <i>Bolt-Type Installation</i>	4
Hob Sink Mixer <i>Brass Mount Installation</i>	6
Hob Sink Mixer <i>Sleeves-Type Installation</i>	8



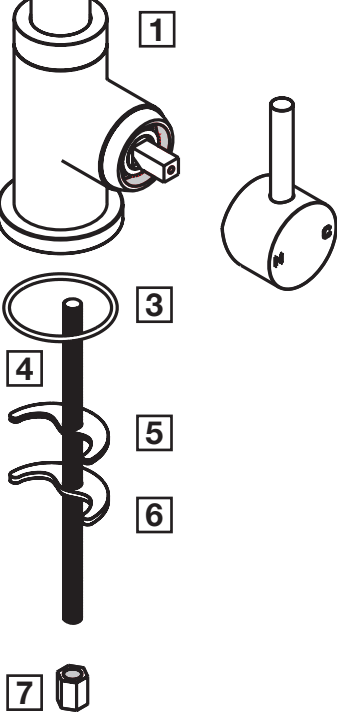
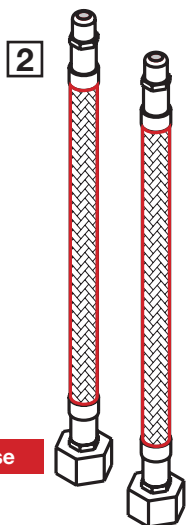
This page is left intentionally blank

Hob Sink Mixer

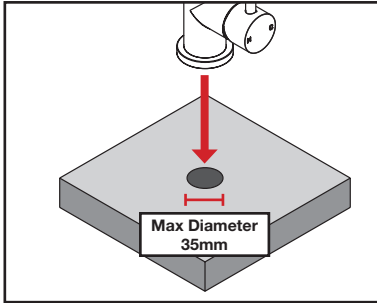
Bolt-Type Installation



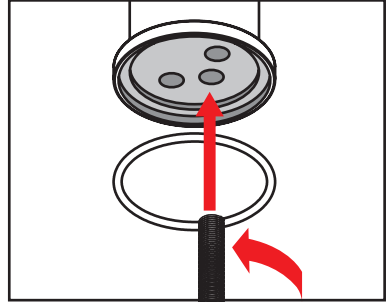
- 1** Sink Mixer
- 2** Water Hoses
- 3** O-Ring
- 4** Threaded Rod
- 5** Nylon Washer
- 6** Brass Washer
- 7** Hex Bolt



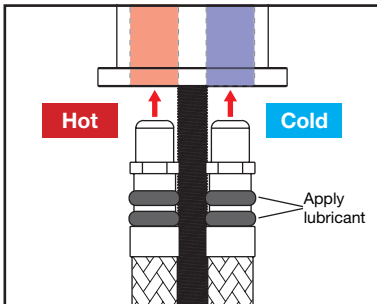
1. Ensure the cutout for Sink Mixer (1) is 35mm in diameter



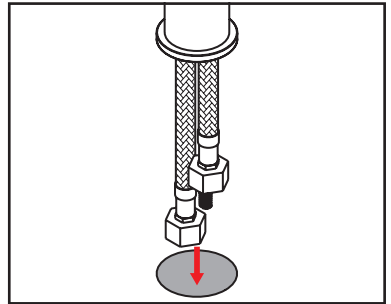
2. Insert and screw the Brass Thread Rod (4) underneath the Sink Mixer Body (1) and place the O-Ring (3) under the base plate



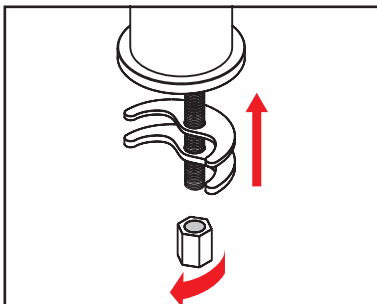
3. Apply lubricant to the o-rings of the Water Hoses (2). Then insert and tighten them underneath the Sink Mixer Body (1) to the matching colour indicators.



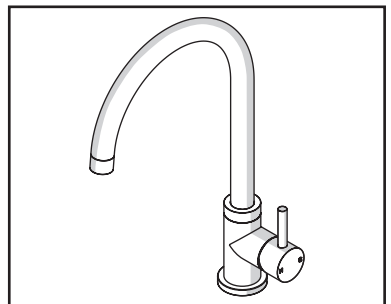
4. Align and place the assembled body (1) and hoses (2) into the sink mounting hole.



5. Fit the Washers (5) (6) onto the Threaded Rod (4). Ensure the Nylon Washer (5) is above the Brass Washer (6). Fit and tighten the Hex Bolt (7) to finger-tight



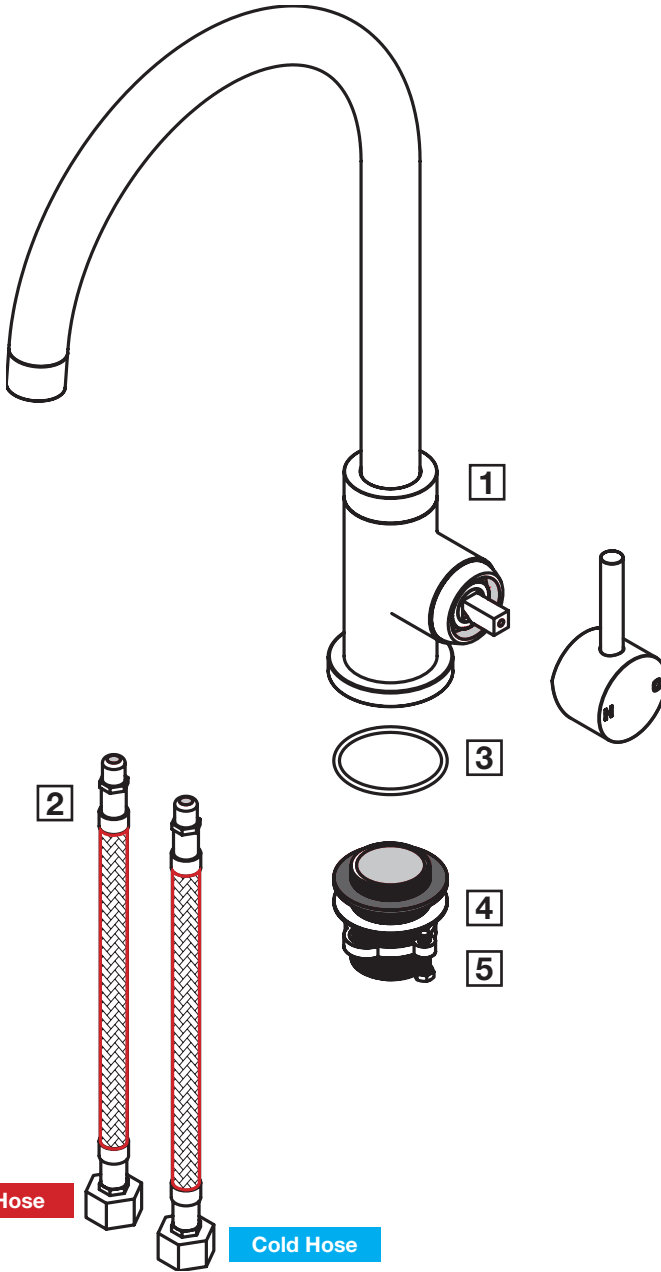
6. After installation, ensure that the mixer is secured firmly and there are no signs of any leaks



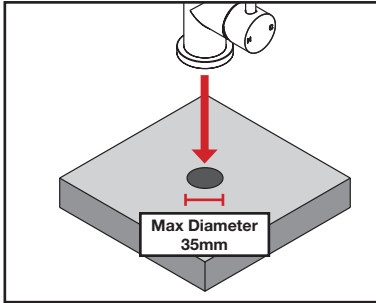
Hob Sink Mixer

Brass Mount Installation

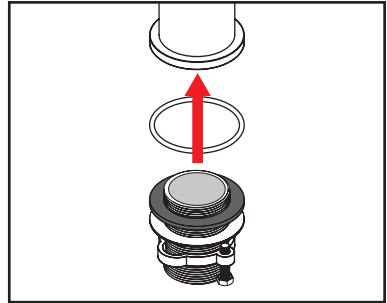
- 1** Sink Mixer
- 2** Water Hoses
- 3** O-Ring
- 4** Brass Mount & Washers
- 5** Bolted Locknut



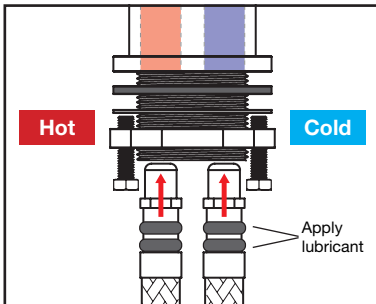
1. Ensure the cutout for Sink Mixer (1) is 35mm in diameter



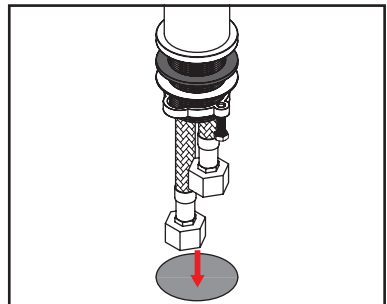
2. Insert the O-Ring (1) under the base plate. Then screw in the Brass Mount (4) under the Basin Sink Body (1)



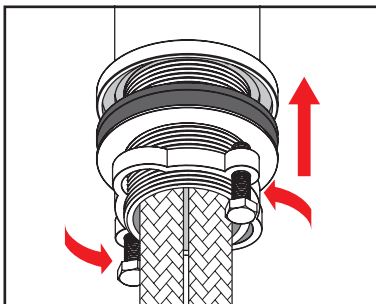
3. Apply lubricant to the o-rings of the Water Hoses (2). Then insert and tighten them underneath the Sink Mixer Body (1) to the matching colour indicators.



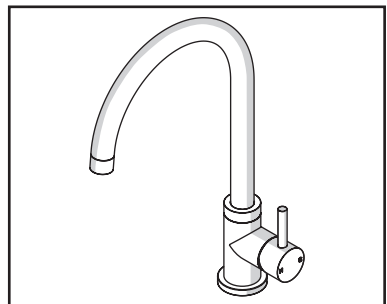
4. Align and place the assembled body (1) and hoses (2) into the sink mounting hole.



5. From the underside, fit the washers and locknut ring over the brass mount (4). Use the bolted locknut (5) to screw in and tighten in place

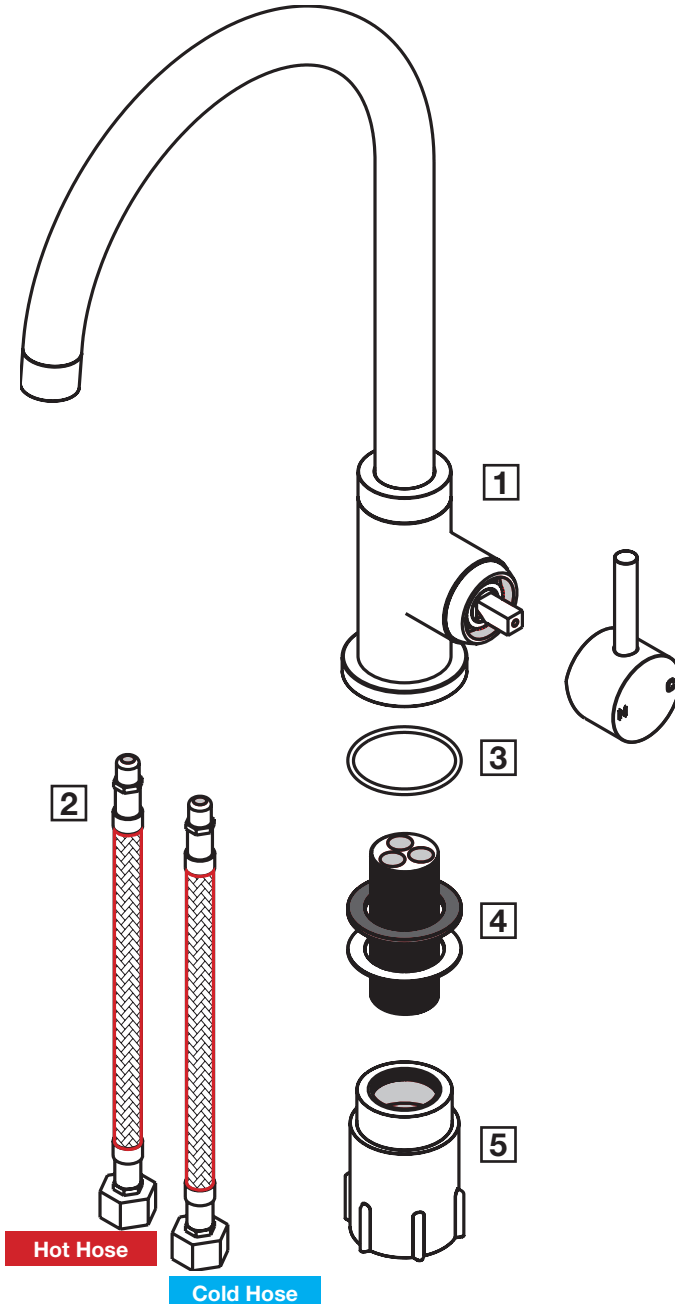


6. After installation, ensure that the mixer is secured firmly and there are no signs of any leaks



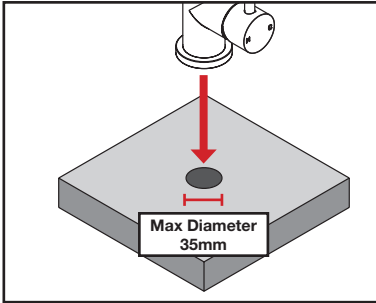
Hob Sink Mixer

Sleeves-Type Installation

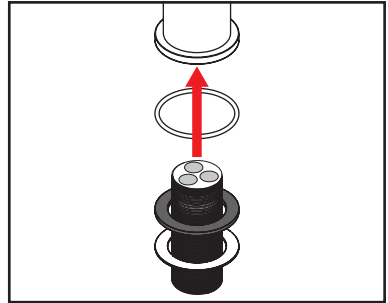


- 1** Basin Mixer
- 2** Water Hoses
- 3** O-Ring
- 4** Brass Screw & Washers
- 5** Sleeve Connector Assembly

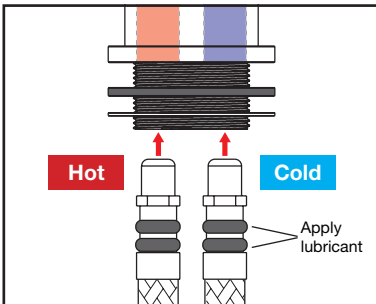
1. Ensure the cutout for Sink Mixer (1) is 35mm in diameter



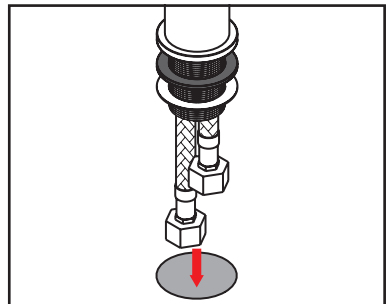
2. Insert the O-Ring (1) under the base plate. Then screw in the Brass Screw (4) under the Sink Mixer Body (1)



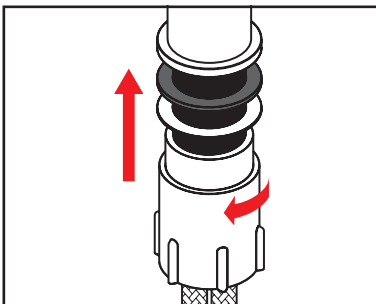
3. Apply lubricant to the o-rings of the Water Hoses (2). Then insert and tighten them underneath the Sink Mixer Body (1) to the matching colour indicators.



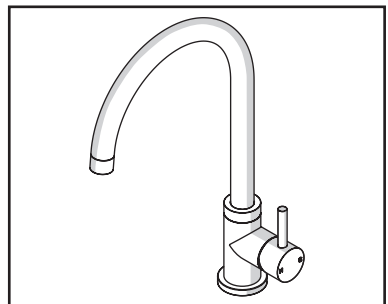
4. Align and place the assembled body (1) and hoses (2) into the sink mounting hole.



5. From the underside, fit the washers over the brass screw (4). Use the sleeve (5) to screw in and tighten in place



6. After installation, ensure that the mixer is secured firmly and there are no signs of any leaks



This page is left intentionally blank

This page is left intentionally blank



P A R
TAPS