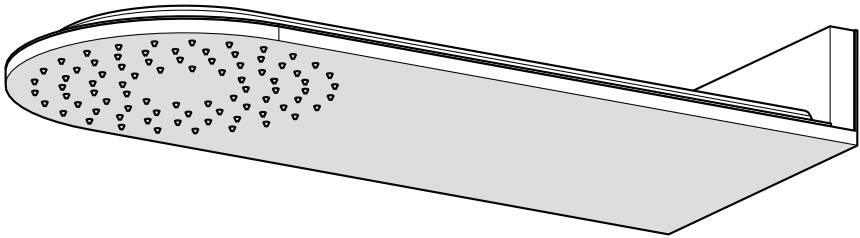




P A R  
TAPS

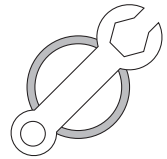
---



# Lava Wall Shower

Installation Guide

# Important Information



## Prior to Installation:

- All instructions serve as a guide only and the shower must be installed by a licenced plumber in accordance with AS/NZS 3500. Installation carried out by unlicensed individuals will void all warranties.
- Supply lines must be flushed prior to installation to remove any foreign matter.
- All products are suitable for use with mains pressure and most instantaneous hot water heaters. However, they are not compatible with gravity-fed water heaters, low/unequal pressure networks, instantaneous water heaters and thermostatic mixing valves.
- Where flow controllers are installed, care should be exercised during installation to ensure that male connecting threads do not damage the flow controller
- Please check all measurements prior to installation

## Water Pressure & Temperature:

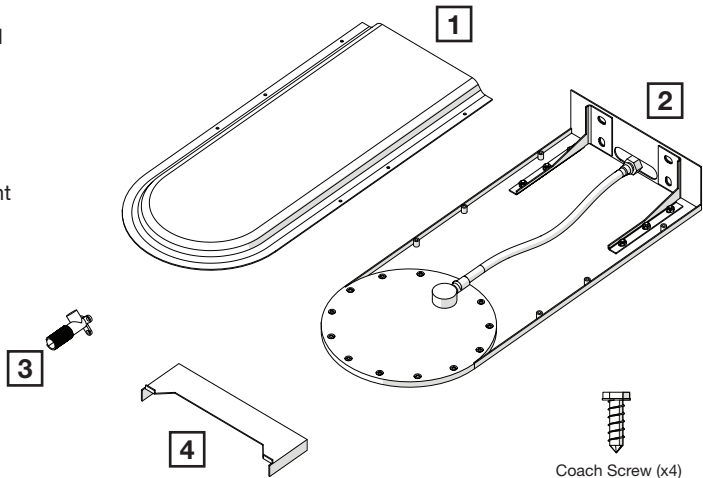
This Par Taps products are to be installed by a Licensed Plumber in accordance with AS/NZS 3500

Maximum Water Temperature — — — — — 65° Celcius

Regulatory Maximum Water Pressure — — — — — 500kPa

# Parts List

- 1** Shower Arm & Rail
- 2** Shower Rose
- 3** Wall Flange x2
- 4** Wall Bracket Mount



# 01

Ensure the recess in the wall is of sufficient size to accommodate the shower and that there is a noggin present where it is intended to be mounted

Fig A. Wall structure example

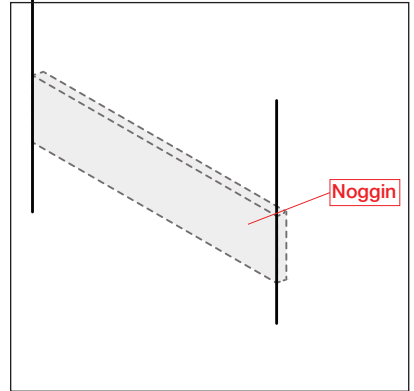
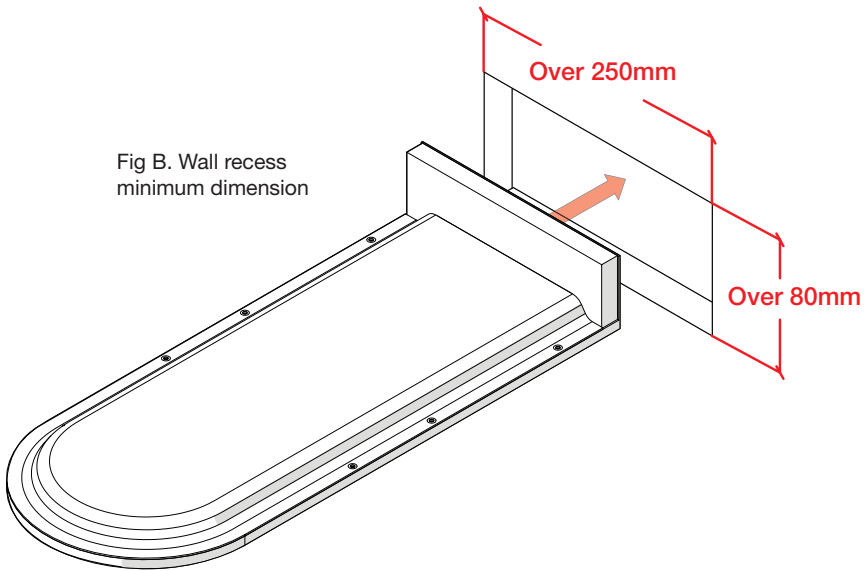


Fig B. Wall recess minimum dimension



**IMPORTANT:** When installed, the near face of the shower mounting plate must be level with the face of the finished tiled wall

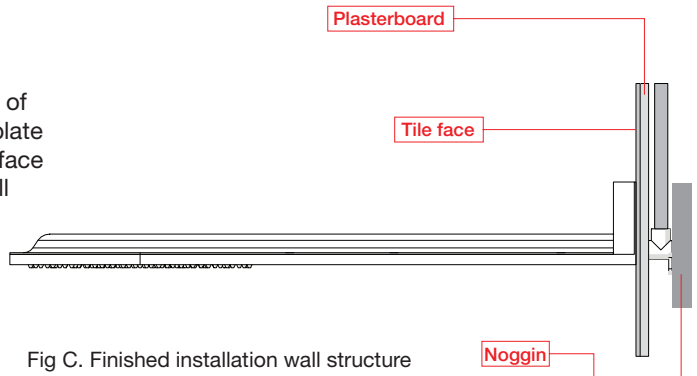


Fig C. Finished installation wall structure

## 02

Undo the 6 outer screws on the shower head body and remove the main top cover and the rear cover plate

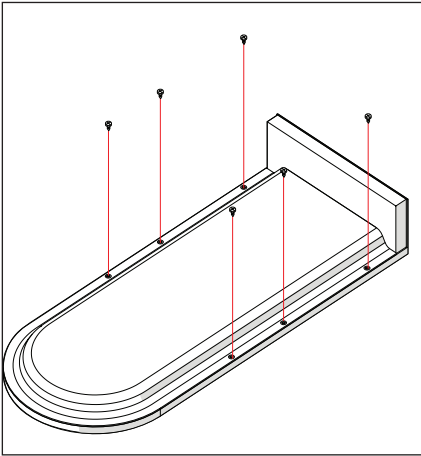


Fig D. Exterior screw removal

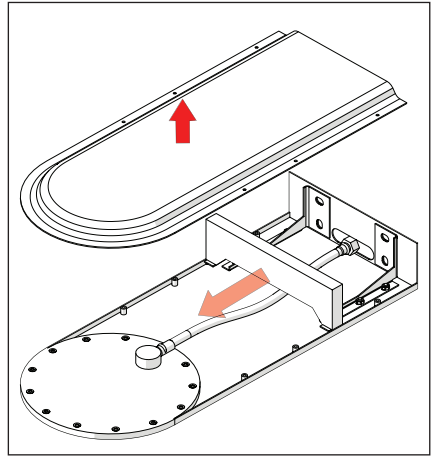


Fig E. Cover plate removal

## 03

Using the rear plate of the shower head, mark the intended mounting points on the noggin and the location of the wall water outlet. It is recommended that a spirit level be used to ensure level placement

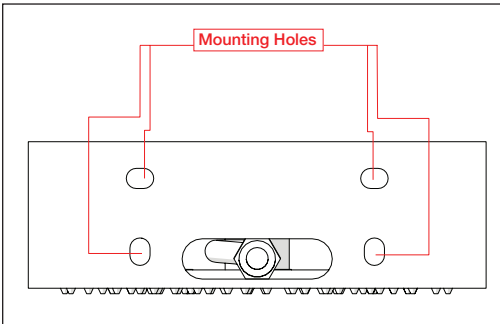


Fig F. Mounting hole indication

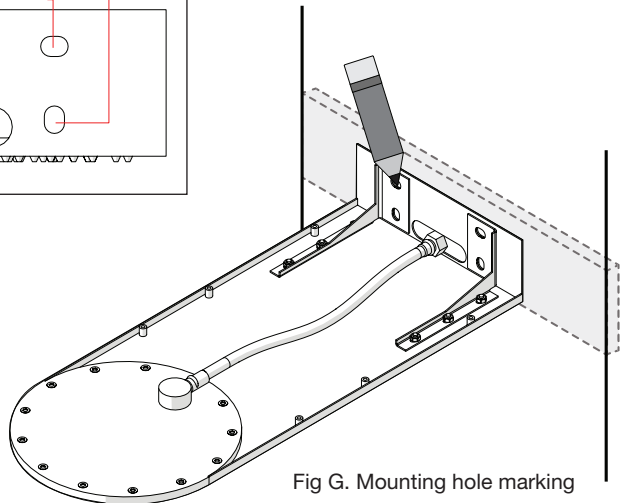


Fig G. Mounting hole marking

# 04

Install the wall outlet in the appropriate location. The outlet should protrude at least 15mm past the face of the finished tiled wall. This is to ensure the shower water connection has enough thread to connect properly

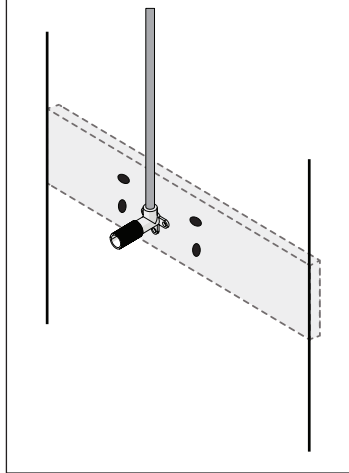


Fig H. Wall outlet example location

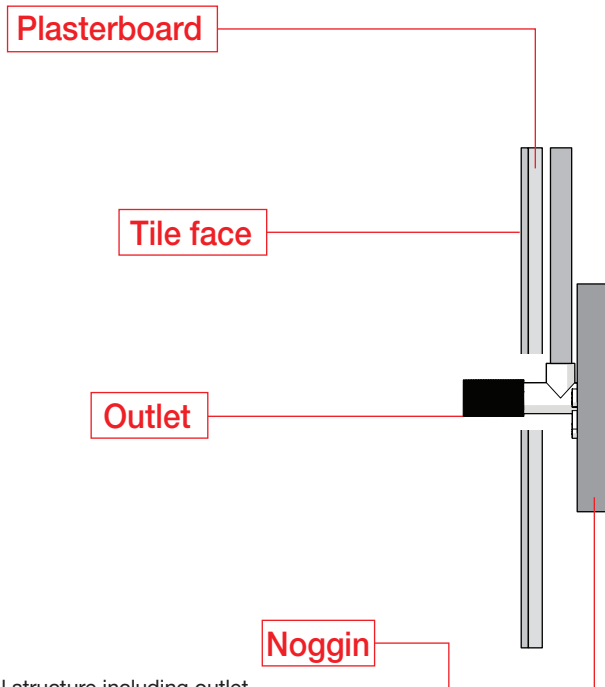


Fig I. Example wall structure including outlet

# 05

Fit the shower over the wall outlet and mount to the noggin through the previously marked holes.

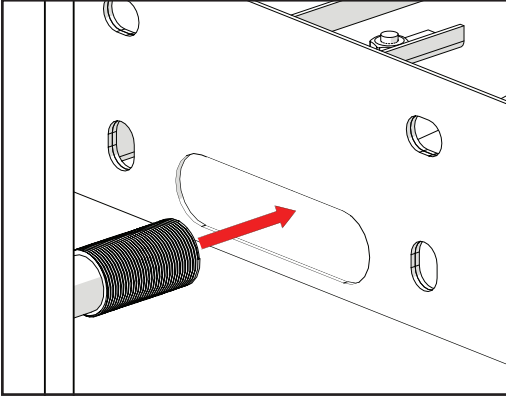


Fig J. Fitting shower body over outlet

**IMPORTANT:** If mounting to a timber noggin, pilot the previously-marked holes to suit an M8 coach screw.

If mounting to a steel noggin or masonry, ensure that appropriate alternative fasteners are used at installer's discretion

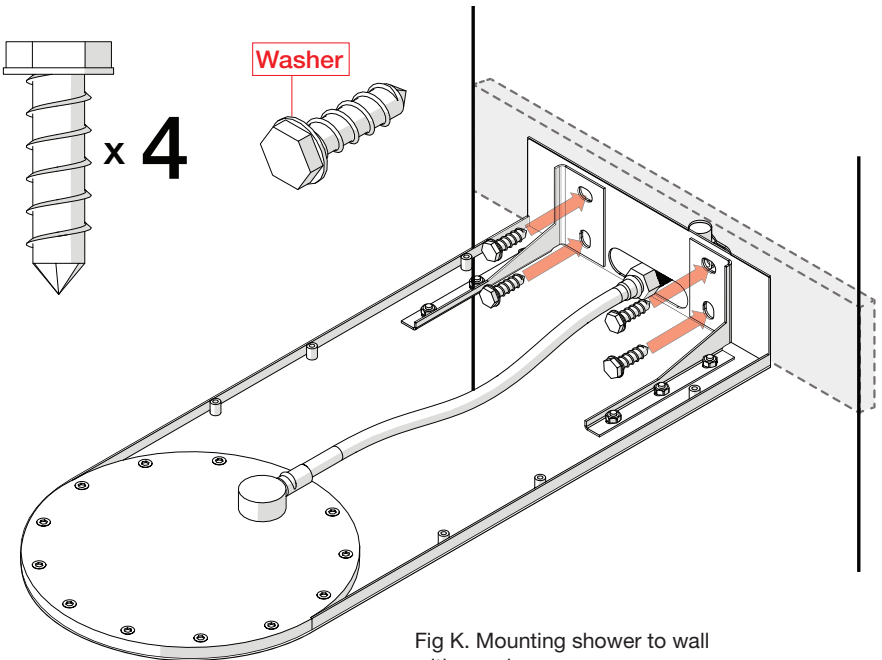
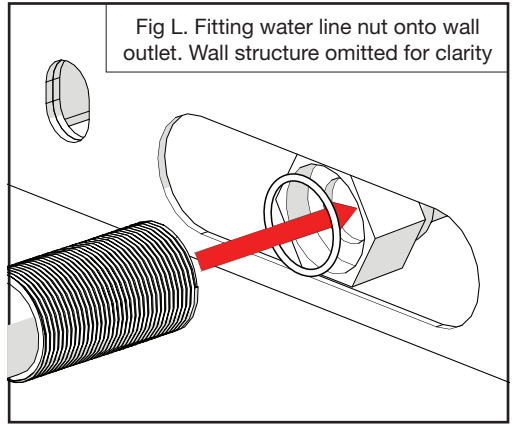


Fig K. Mounting shower to wall with coach screws

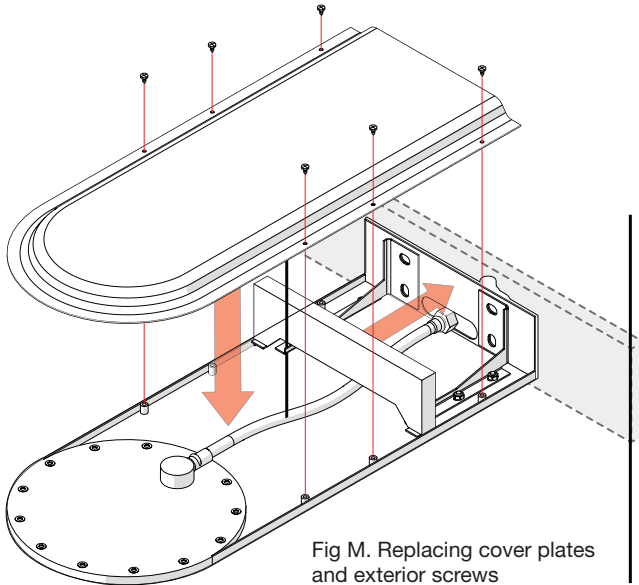
## 06

Ensure that rubber O-ring is present in the water feed tube fastening nut and screw the flexible water feed tube to the outlet. Ensure it is finger-tight but avoid over-tightening



## 07

With the shower head mounted to the wall, replace the rear cover plate, the top main cover plate and the six exterior screws



# Installation Complete!



P A R  
TAPS



[www.partaps.com](http://www.partaps.com)



[/ParTapsPtyLtd](https://www.facebook.com/ParTapsPtyLtd)



[@par\\_taps](https://www.instagram.com/par_taps)