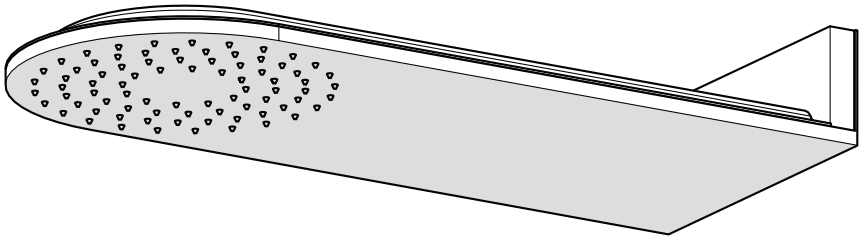




P A R
TAPS



Lava Wall Shower

Installation Guide

Important Information



Prior to Installation:

- Please read these instructions completely.
- All instructions serve as a guide only and must be installed by a licensed plumber in accordance with AS/NZS 3500.1. Installation carried out by unlicensed individuals will void all warranties.
- Supply lines must be flushed prior to installation to remove any foreign matter.
- Installations must comply in accordance with Australian Standards
- All products are suitable for use with mains pressure and most instantaneous hot water heaters. However, they are not compatible with gravity-fed water systems.

Water Pressure & Temperature:

This Par Taps products are to be installed by a Licensed Plumber in accordance with AS/NZS 3500.1

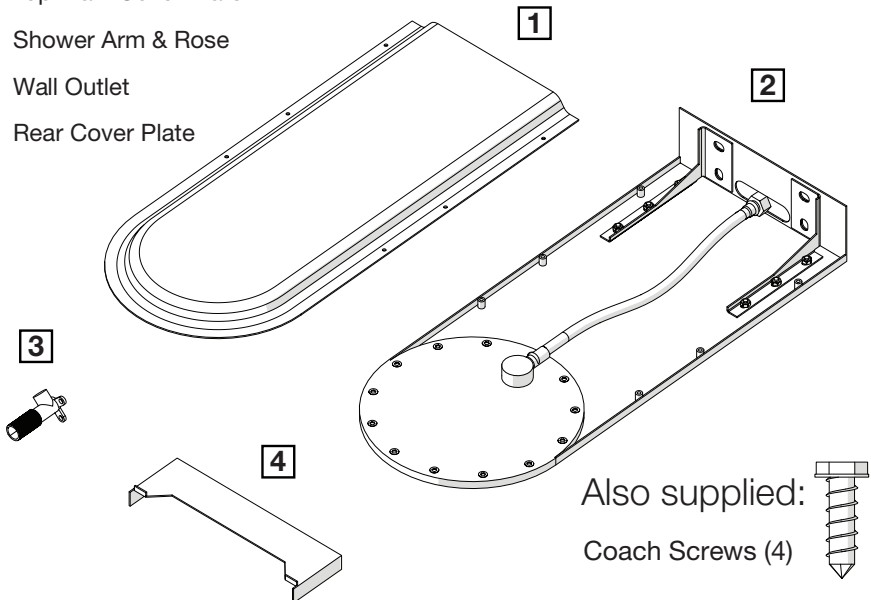
Maximum Water Temperature - - - - - 80° Celcius

Maximum Water Pressure - - - - - 1600kPa

Regulatory Maximum Water Pressure - - - - - 500kPa

Note: In areas where the recommended maximum water pressure is exceeded, pressure-limiting valves must be installed.

- 1** Top Main Cover Plate
- 2** Shower Arm & Rose
- 3** Wall Outlet
- 4** Rear Cover Plate



01

Ensure the recess in the wall is of sufficient size to accommodate the shower and that there is a noggin present where it is intended to be mounted

Fig A. Wall structure example

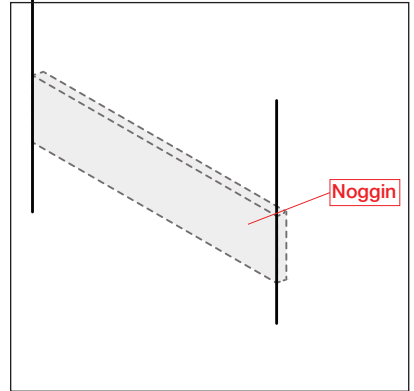
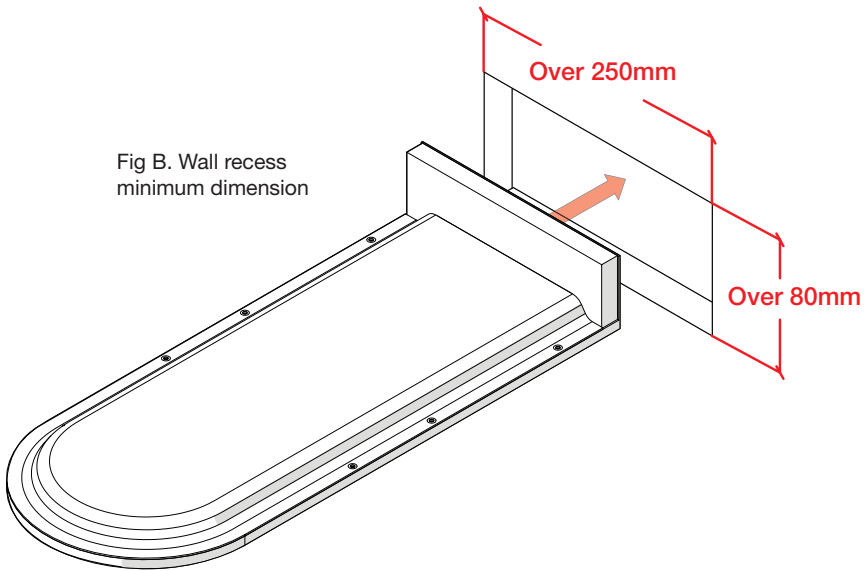


Fig B. Wall recess minimum dimension



IMPORTANT: When installed, the near face of the shower mounting plate must be level with the face of the finished tiled wall

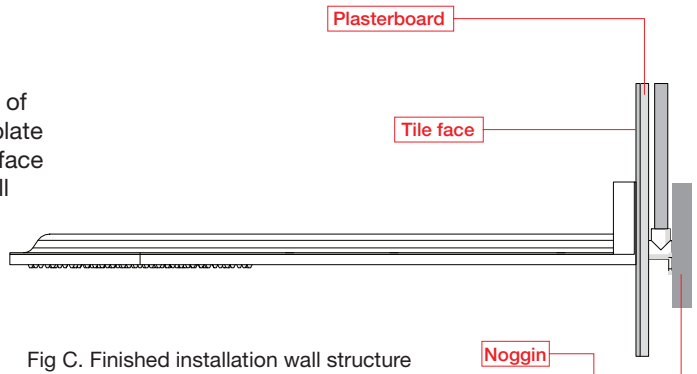


Fig C. Finished installation wall structure

02

Undo the 6 outer screws on the shower head body and remove the main top cover and the rear cover plate

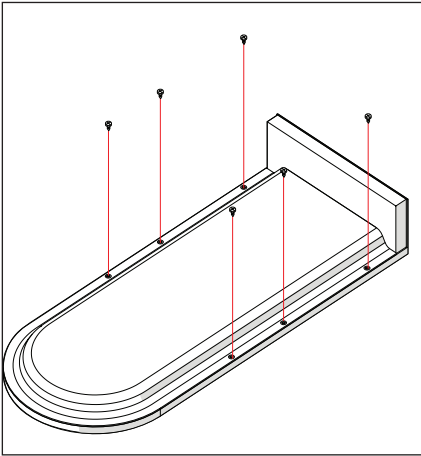


Fig D. Exterior screw removal

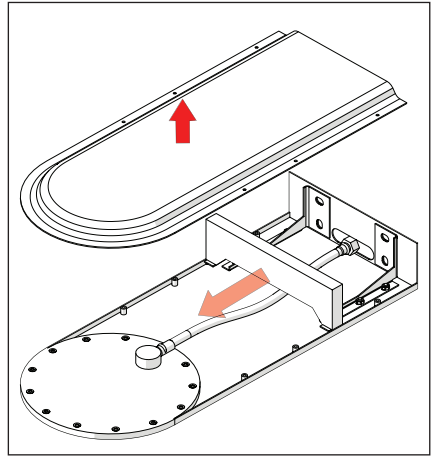


Fig E. Cover plate removal

03

Using the rear plate of the shower head, mark the intended mounting points on the noggin and the location of the wall water outlet. It is recommended that a spirit level be used to ensure level placement

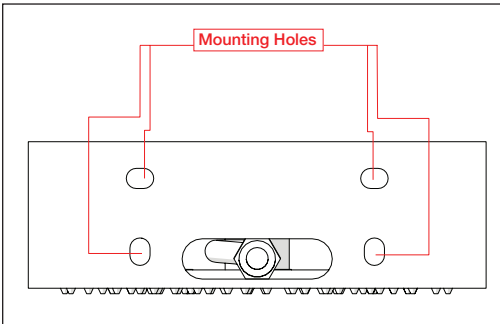


Fig F. Mounting hole indication

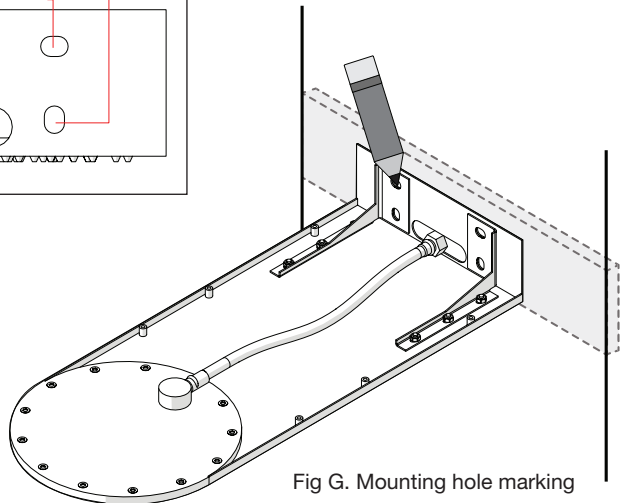


Fig G. Mounting hole marking

04

Install the wall outlet in the appropriate location. The outlet should protrude at least 15mm past the face of the finished tiled wall. This is to ensure the shower water connection has enough thread to connect properly

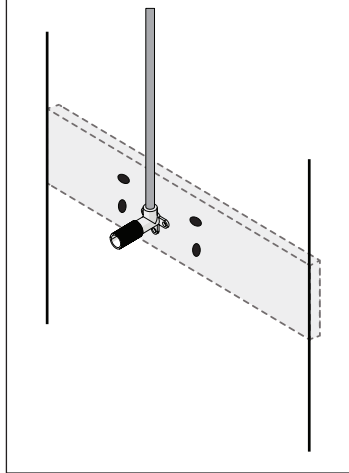


Fig H. Wall outlet example location

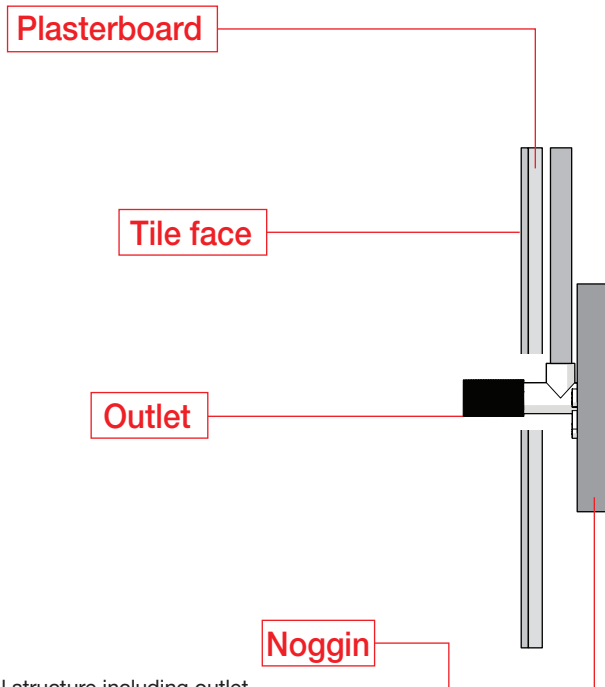


Fig I. Example wall structure including outlet

05

Fit the shower over the wall outlet and mount to the noggin through the previously marked holes.

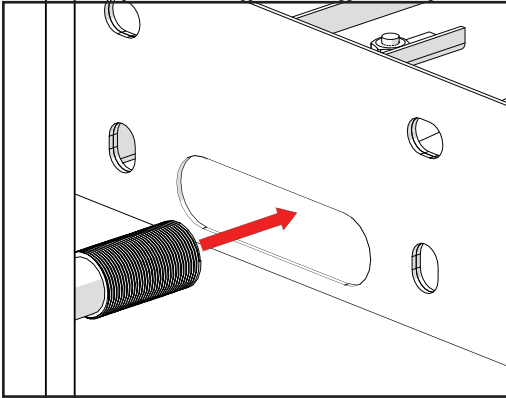


Fig J. Fitting shower body over outlet

IMPORTANT: If mounting to a timber noggin, pilot the previously-marked holes to suit an M8 coach screw.

If mounting to a steel noggin or masonry, ensure that appropriate alternative fasteners are used at installer's discretion

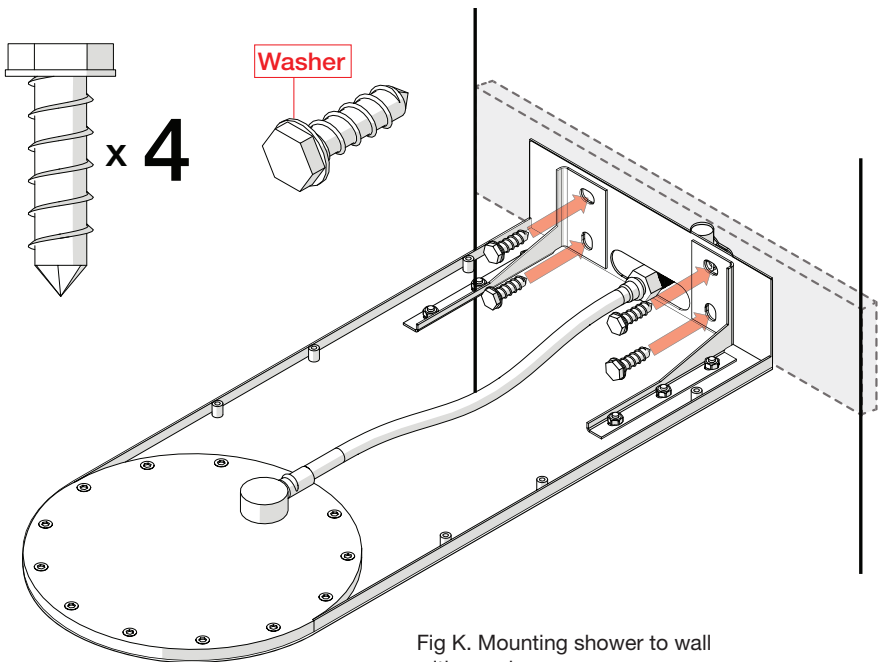
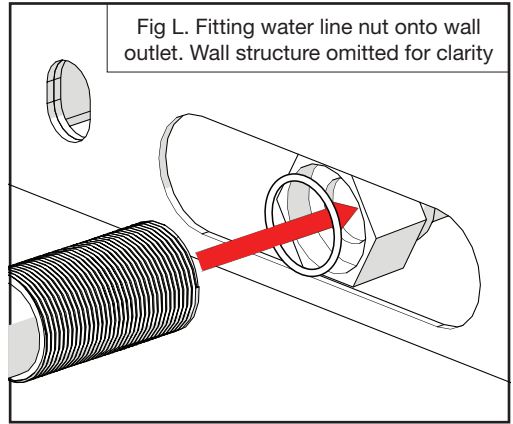


Fig K. Mounting shower to wall with coach screws

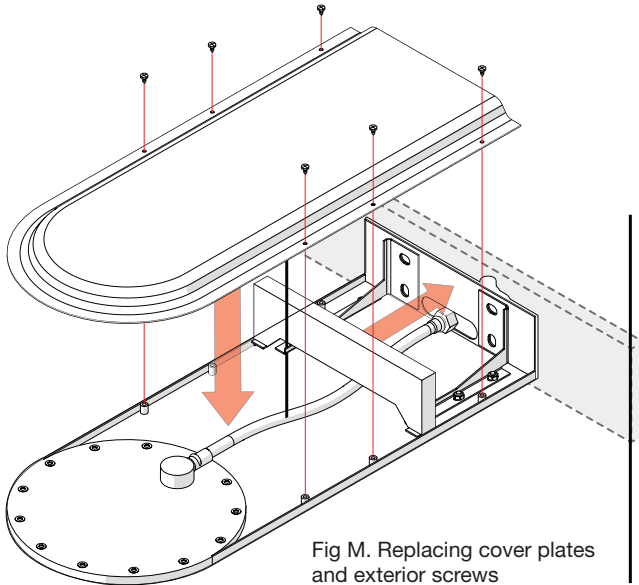
06

Ensure that rubber O-ring is present in the water feed tube fastening nut and screw the flexible water feed tube to the outlet. Ensure it is finger-tight but avoid over-tightening



07

With the shower head mounted to the wall, replace the rear cover plate, the top main cover plate and the six exterior screws



Installation Complete!



P A R
TAPS



www.partaps.com



[/ParTapsPtyLtd](https://www.facebook.com/ParTapsPtyLtd)



[@par_taps](https://www.instagram.com/par_taps)