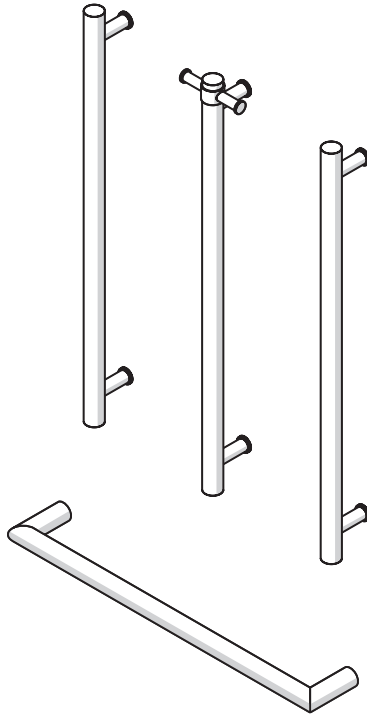


# Lugano

## Heated Towel Rails Collection

---

### Installation Guide



P A R  
TAPS



[www.partaps.com](http://www.partaps.com)



[/ParTapsPtyLtd](https://www.facebook.com/ParTapsPtyLtd)



[@par\\_taps](https://www.instagram.com/par_taps)

# Important Information



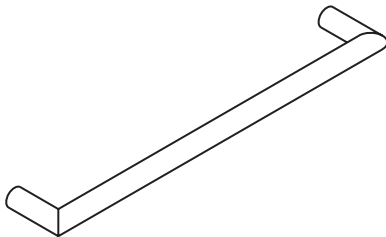
## Prior to Installation:

- **Please read these instructions carefully.**
- **WARNING:** This is a 12 Volt heated towel rail and **MUST** be wired to a transformer (supplied).
- Connecting directly to the mains power supply will cause irreparable damage to the element and the element cannot be replaced.
- **WARNING:** In order to avoid a hazard for very young children, this appliance should be installed so that the base of the rail is at least 600mm above the floor.
- **WARNING:** Children should be supervised to ensure that they do not play with the appliance.

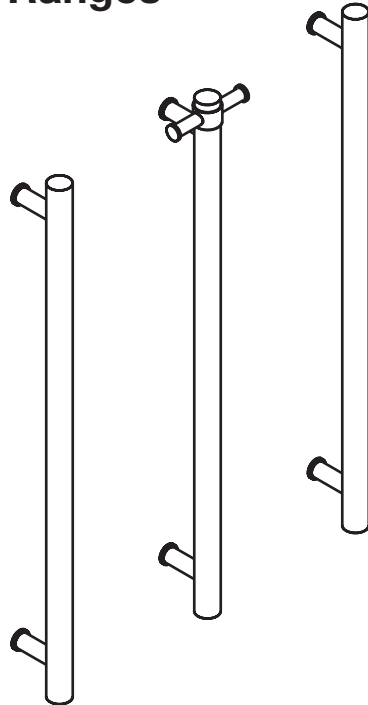
## Technical Specifications:

Supply Voltage	-----	240V 50Hz
Transformer Voltage	-----	12V
Wiring Side	-----	Right (Single Bar Horizontal Only)
Wiring Method	-----	Hardwired

## Lugano Heated Towel Rail Ranges



SINGLE BAR  
HORIZONTAL



VERTICAL

# Safety & Care Information



## Safety Information:

Thermorail Heated Towel Rails should be installed and tested by a qualified electrician and in accordance with current local regulations.

We recommend that the rail is installed onto a flat uniform wall, with the bottom at least 600mm from the floor, with a 300mm clearance from permanent fixtures.

Where possible the Thermorail Heated Towel Rail should be screwed into studs or, if fixing to hollow walls, suitable anchors should be used to ensure rail is secure.

**Please read** and understand this installation guide in full before commencing installation. If you have any queries in regards to installation, please call 03 9484 0960

- Observe and adhere to electrical guidelines when placing your Thermorail in wet areas
- Ensure any timers or switches used are installed in correct zones according to the IP rating of the timer/switch
- Ensure that your Thermorail is protected by a suitably rated RCD circuit
- Do not use the towel rail to hold towels or other articles that have been in contact with oil, petroleum based products or dry cleaning fluids
- **This appliance** is intended to warm and dry towels and therefore is hot to touch so when near young children or anyone who has disability, close supervision is necessary.
- Do not immerse your Thermorail in any liquid
- Ensure the transformer is located no further than 2m from the Thermorail(s)
- Ensure the transformer is accessible and has adequate ventilation
- Ensure that multiple rails connected to individual transformers are wired in parallel to the switch/timer.
- This appliance is not intended for use by persons (including children) with reduced physical, sensory or mental capabilities, or lack of experience and knowledge, unless they have been given supervision or instruction concerning use of the appliance by a person responsible for their safety.
- A single transformer can power two rails

If the supply cord is damaged, it must be replaced by the manufacturer, its service agent or similarly qualified persons in order to avoid a hazard.

## Care Information:

The finish of your Thermorail Heated Towel Rail is hard wearing and easy to maintain.

However, any harsh scrubbing, scratching or acid based cleaning products will damage the surface of your towel rail.

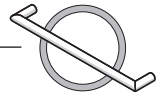
Cleaning with a soft cloth and a non-abrasive cleaning agent will give the best results.

# Single Bar Horizontal

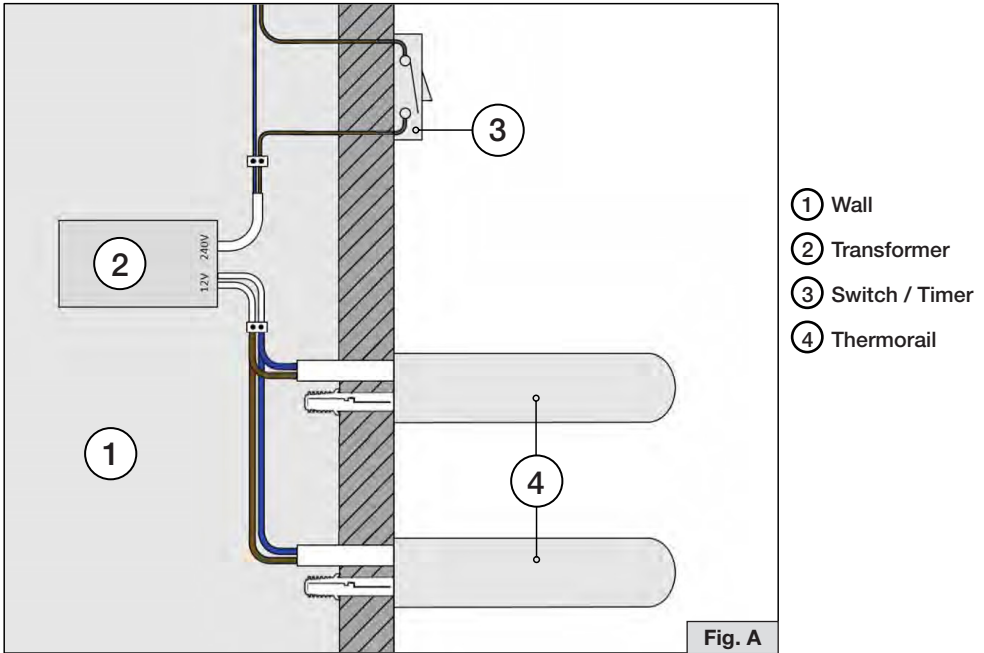


P A R  
TAPS

# Single Bar Horizontal



## Wiring Diagram:



**PLEASE NOTE:** Multiple rails need to be wired in parallel

## Operating Instructions:

All the Heated Towel Rails in this installation guide are dry element electric Heated Towel Rails.

Electric Heated Towel rails are designed to run on a low wattage and will heat up quickly, with warmth being felt within 5-10mins.

The towel rail will reach optimum operating temperature in approx. 30mins.

Running temperature of the Electric Heated Towel Rail is 35 degrees without a towel on the rail.

Once a towel has been placed on the towel rail this will insulate it and beneath the towel it will get to 50-55 degrees.

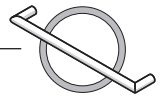
Although the towel rail will reach optimum operating temperature in approx. 30mins it will take approx. 3-4hours to dry the towel.

Please note this will vary depending on a number of factors including the ambient room temperature, size of the towel and the dampness level of the towel.

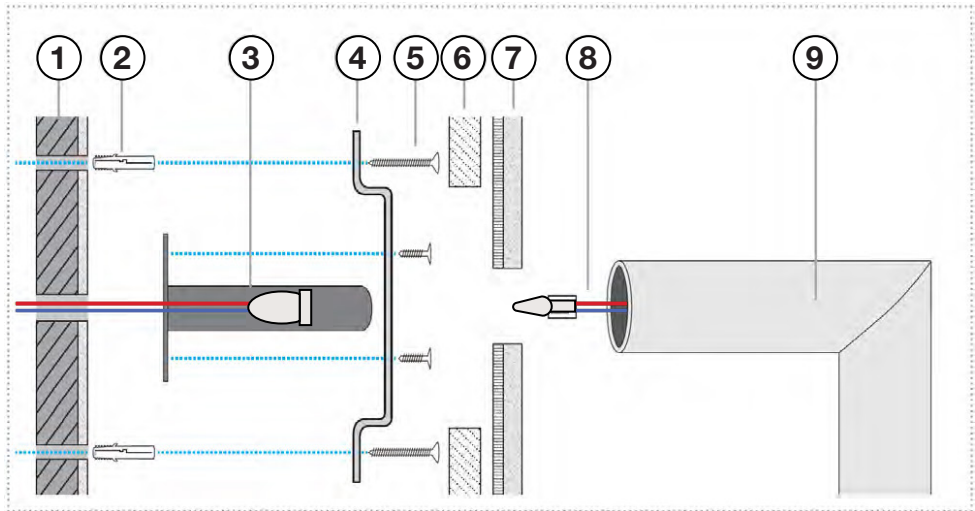
Electric Heated Towel Rails are designed to dry and gently warm a towel and are not designed as a towel heater or room heater.

Please note the vertical towel rails are designed for one towel per bar. The hook at the top is designed to ensure the towel is held more securely on the towel rail or for hanging small hand towels or face washers, not for two bath towels.

# Single Bar Horizontal



## Mounting System Installation:



① Wall

② Suitable Wall Plugs

③ Mounting Spigot

④ Mounting System

⑤ Countersunk Screw

⑥ Tile Backer Boards

⑦ Tiles and Adhesive

⑧ Connection Clip

⑨ Towel Rail

### 1. Switch off the mains power

- You will be installing the Towel Rail as part of a high voltage mains electrical circuit.

To ensure your safety and to protect the Thermorail, switch off the mains power before you start the installation.

Please ensure that means for disconnection are incorporated in the fixed wiring in accordance with the wiring rules.

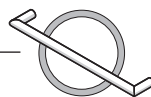
### 2. Install the transformer and connection cable

- The transformer is to be installed in the ceiling or the wall cavity no further than 2m from the rails an needs to be connected to the mains power supply in accordance with current local building regulations.

If mounting in the wall cavity the transformer must be behind an access plate or a timer/switch to enable access and the transformer must have ventilation.

Wire up the connection cable(s) to the transformer ensuring that multiple rails are wired in parallel. Ensure the transformer is wired up correctly according to the diagram on **Fig. A**

# Single Bar Horizontal



## 3. Install the mounting system

- The mounting system is only required at the wiring position which is on the right-hand side and each rail will require only one mounting spigot.

Fix all the spigots to the mounting system (using the larger holes) at the desired spacing with the supplied fixing screws.

Measure and mark out the vertical installation line where you are going to install the mounting system.

Mark and predrill fixing holes and holes for the electrical connection cables to pull through.

Please Note: The electrical cables need to come through the same holes as the mounting spigots above the spigot.

Fix the mounting system to the wall with suitable fixings and pull all the electrical connection cables through the mounting system ready for installation.

Overboard the wall with 12mm gyprock or villa board and cover the mounting system with mesh tape to aid adhesion of the tile adhesive.

## 4. Tile the wall

- Adhere the tiles to the wall.

Drill or cut out a 14mm hole in the tile(s) that will be installed over the spigots.

This will allow the spigots to protrude through the final tiled wall finish.

## 5. Install the left-hand side mounting bracket

- Measure and mark out for the left-hand side mounting bracket ensuring it is level with the spigot(s) on the right-hand side.

Drill the holes and insert suitable wall plugs. Now fix the mounting brackets in place

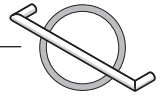
## 6. Fix the Thermorail in position

- Remove the grub screws from the towel rail and locate the rail over the spigot and the mounting bracket.

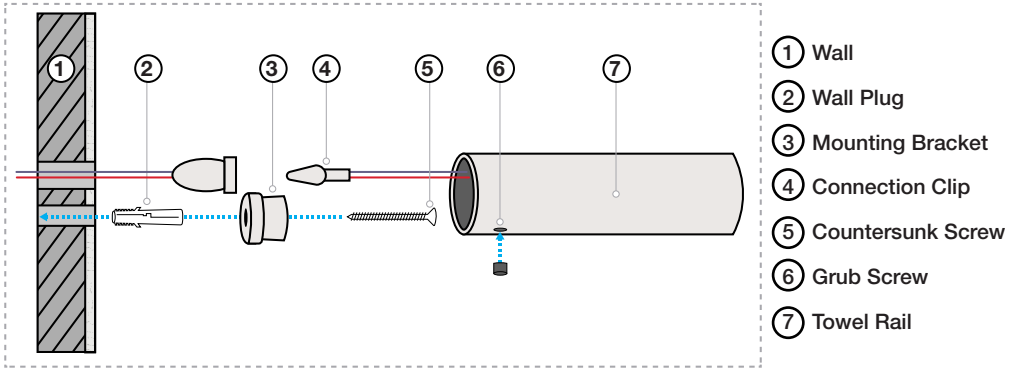
Connect the cable clips and fit the towel rail in position and tighten with the grub screws and allen keys provided. Repeat for all rails.

Ensure the connection clips are clipped together securely.

# Single Bar Horizontal



## Standard Installation:



- 1. Switch off the mains power**
  - You will be installing the Towel Rail as part of a high voltage mains electrical circuit. To ensure your safety and to protect the Thermorail, switch off the mains power before you start the installation. Please ensure that means for disconnection are incorporated in the fixed wiring in accordance with the wiring rules.
- 2. Install the transformer and connection cable**
  - The transformer is to be installed in the ceiling or the wall cavity no further than 2m from the rails and needs to be connected to the mains power supply in accordance with current local building regulations. If mounting in the wall cavity the transformer must be behind an access plate or a timer/switch to enable access and the transformer must have ventilation. Wire up the connection cable(s) to the transformer ensuring that multiple rails are wired in parallel. Ensure the transformer is wired up correctly according to the diagram on **Fig. A**
- 3. Install the two wall brackets**
  - Measure and mark out the bracket positions making sure that they are level. Drill a 6mm hole for each of the wall brackets and insert the suitable wall plugs. Now fix the two wall brackets in place using a screwdriver and countersunk screws provided. On the right hand side drill a 2nd 6mm hole for the cable.
- 4. Fix the Thermorail in position**
  - Remove the grub screws from the rail and locate over the mounting brackets. Connect the cable clips and fix the rail in position and tighten with the grub screws and allen key provided. Repeat for all rails. Ensure the connection clips are clipped together securely.



# Vertical Towel Rail

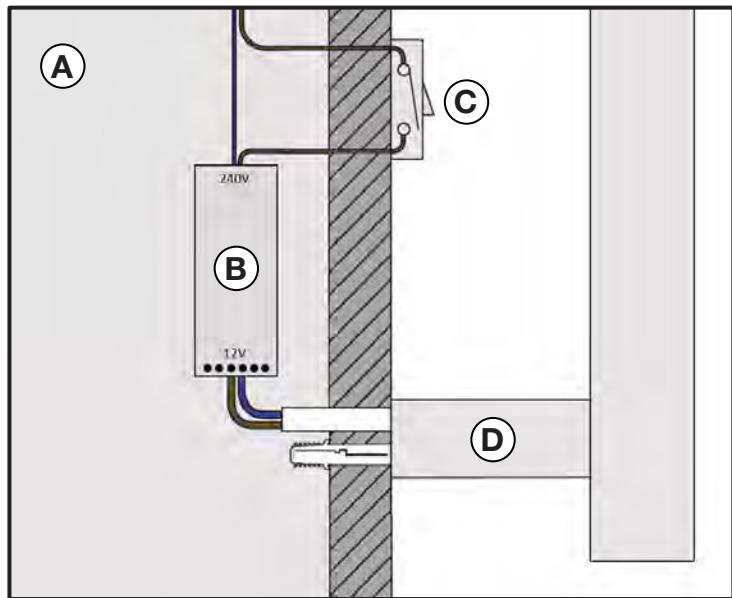


P A R  
TAPS

# Vertical

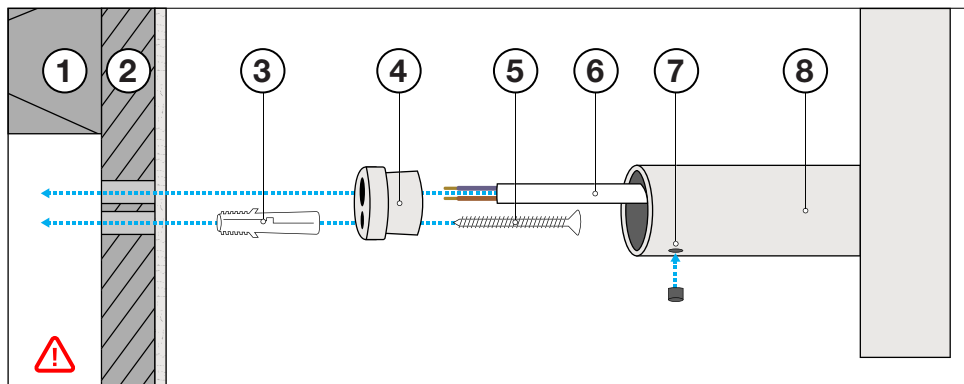


## Transformer Wiring Diagram:



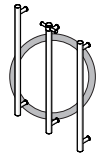
- (A) Wall Cavity
- (B) Transformer
- (C) Switch / Timer
- (D) Vertical Towel Rail

## Concealed Wiring Installation:



- |                         |                       |                         |
|-------------------------|-----------------------|-------------------------|
| (1) Wall                | (4) Mounting Bracket  | (7) Grub Screw          |
| (2) Plasterboard & Skim | (5) Countersunk Screw | (8) Vertical Towel Rail |
| (3) Wall Plug           | (6) Electrical Cable  |                         |

# Vertical



## 1. Switch off the mains power

- You will be installing the Vertical Towel Rail as part of a high voltage mains electrical circuit.

To ensure your safety and to protect the Thermorail, switch off the mains power before you start the installation.

Please ensure that means for disconnection are incorporated in the fixed wiring in accordance with the wiring rules.

## 2. Install the transformer and connection cable

- The transformer is to be installed in the ceiling or the wall cavity no further than 2m from the rails and needs to be connected to the mains power supply in accordance with current local building regulations.

If mounting in the wall cavity the transformer must be behind an access plate or a timer/switch to enable access and the transformer must have ventilation.

## 3. Install two wall brackets

- Measure and mark out the bracket positions making sure they are level.

Drill a 6mm hole for each of the two wall brackets and an extra hole for the cable at the wiring point and insert suitable wall plugs.

Fix the two mounting brackets in place using a screwdriver and screws.

## 4. Electrical Connections

- Ensure your electrical supply is switched off.

Push the cable through the hole in the wall bracket and connect to the transformer previously installed (refer to the wiring diagram opposite).

When installing multiple of the Vertical Towel Rails it is recommended that each rail is connected to its own individual transformers.

Multiple rails connected to individual transformers can be wired to a single timer/switch and must be wired in parallel.

## 5. Fix Vertical Towel Rail to the wall

- Fit the Vertical Towel Rail to the mounting brackets installed on the wall.

You may need assistance to hold the rail in place.

Tighten the grub screws on the two wall mount arms using the allen key provided.

## 6. Fix the hook to the vertical bar

- Please note that the hook is optional and is not necessary for the unit to operate.

Slide the hook on the top of the vertical bar (ensuring that the small screw hole is facing towards the wall) and hold in desired position.

Use the small screw to screw into position.



P A R  
TAPS