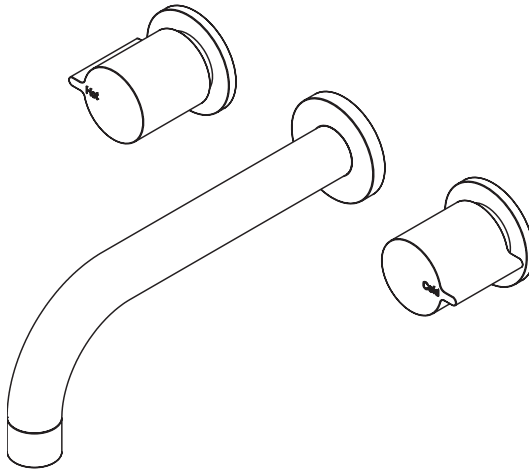




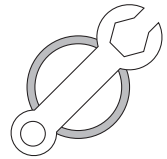
P A R
TAPS



Lugano IDK Q Wall Tapware

Rough in Guide & Installation Guide

Important Information



Prior to Installation:

- All instructions serve as a guide only and must be installed by a licensed plumber in accordance with AS/NZS 3500.1. Installation carried out by unlicensed individuals will void all warranties.
- Supply lines must be flushed prior to installation to remove any foreign matter.
- All products are suitable for use with most instantaneous hot water heaters, however are not compatible with gravity-fed water systems.

Water Pressure & Temperature:

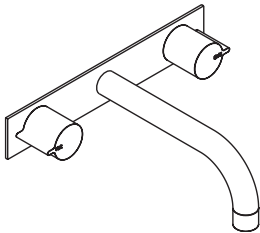
This Par Taps products are to be installed by a Licensed Plumber in accordance with AS/NZS 3500.1

Maximum Water Temperature — — — — — 80° Celcius

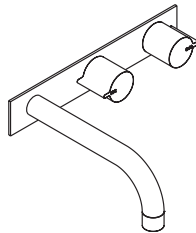
Regulatory Maximum Water Pressure — — — — — 500kPa

Note: In areas where the recommended maximum water pressure is exceeded, pressure-limiting valves must be installed.

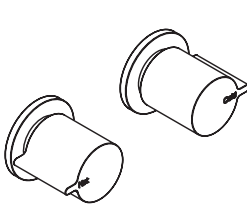
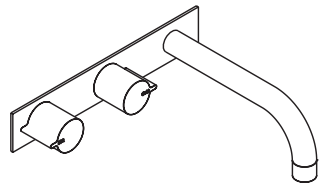
Wall Tapware Sets Range



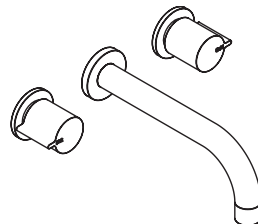
WALL SET ON PLATE



WALL SET ON PLATE - OFFSET

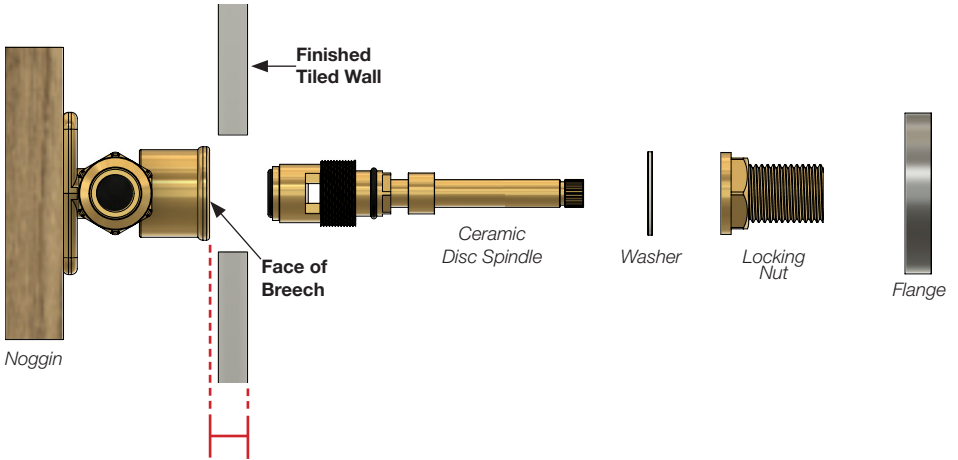


TOP ASSEMBLIES



3 PIECE SET

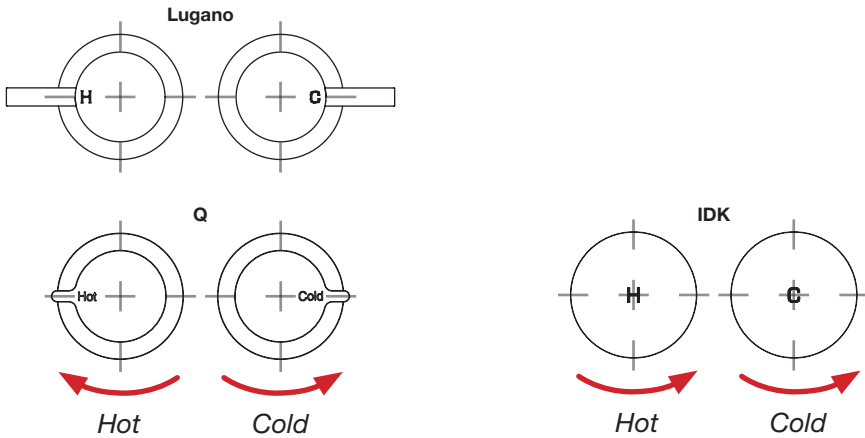
Rough-in Set Up



0-12mm: **Standard Set** - Face of Breech to Finished Tiled Wall

12-22mm: **Optional Kit Required** - G11.021.1 Universal Wall Spline Extension Kit

Handle Direction



Safety Note:

Lugano and Q handle are **Contra Rotation**

The hot handle is turned clockwise

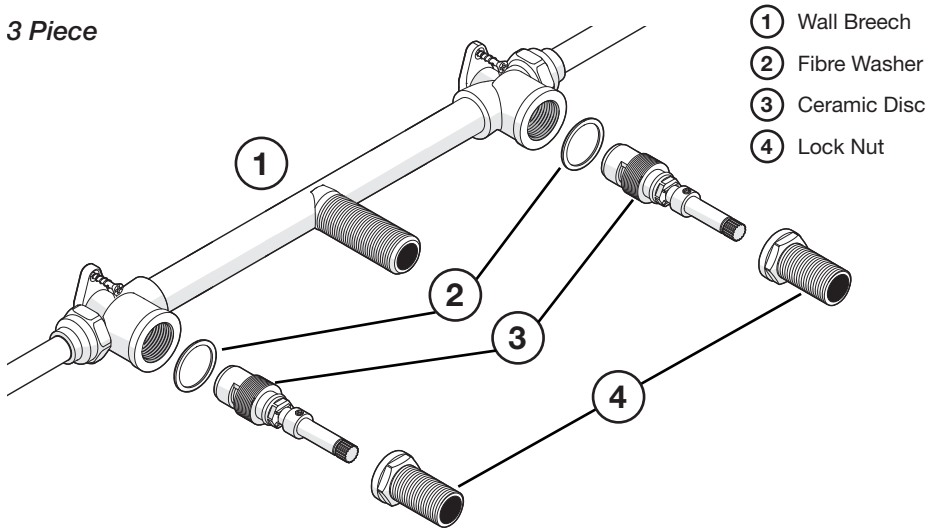
The cold handle is turned counterclockwise

Safety Note:

IDK handles are **Counterclockwise Rotation**

Wall Sets

3 Piece

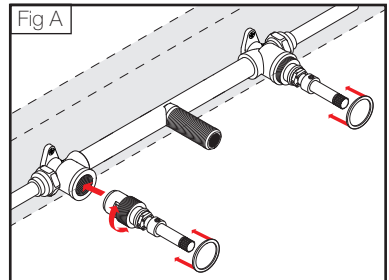


1. Prior to installing ceramic disc assembly make sure the seat surface is clean and smooth otherwise reseal and recheck. Also ensure that lines have been flushed.

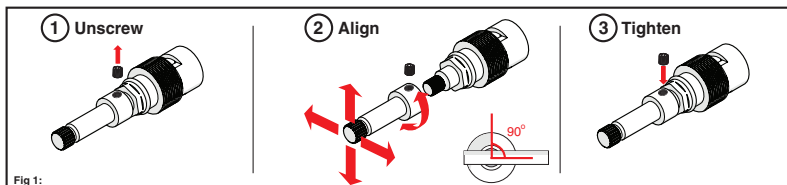
Ensure that the hot and cold indicators located on the bottom of the Ceramic Disc Assembly (3) are placed in the corresponding side of the breech.

2. Insert ceramic disc assembly (3) into Wall breech. Tighten ceramic disc assembly (3) firmly using a 14mm Deep tube socket (not supplied). Then place the fibre washer (2) over the ceramic disc assembly (3) and onto the face of the Wall breech (1).

Align handle. Please refer to Fig 1 below.

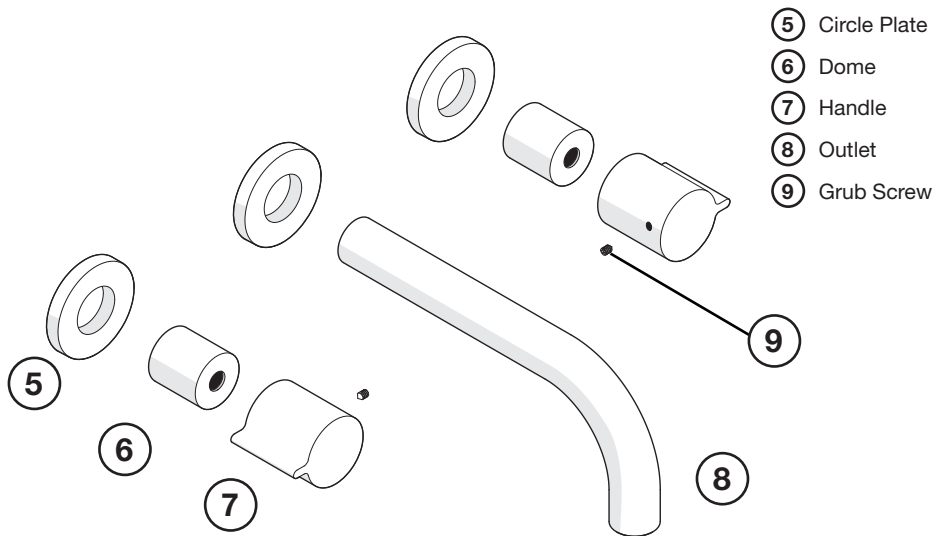


Handle Alignment



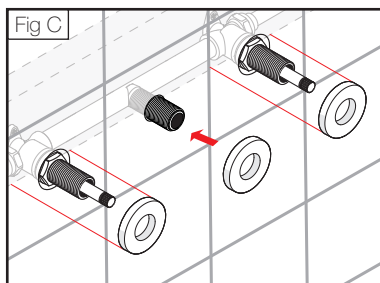
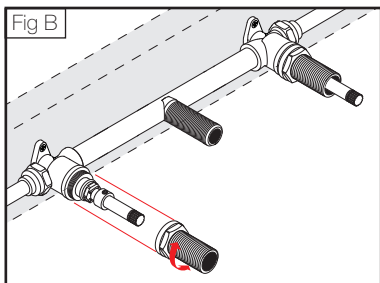
Firstly ensure that the disc is in the closed position and then fit handle to align.

*Fig 1: To align the handle, loosen grub screw from the extension using 2mm allen key, then rotate the position of the extension and ceramic disc cartridge until the desired handle position is achieved.



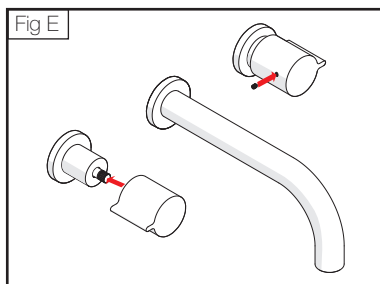
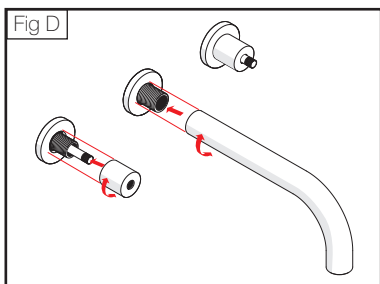
3. After the handle has been aligned, screw the Brass lock nut (4) onto the ceramic disc assembly (3) and tighten firmly using a 25mm deep tube socket.

4. Slide the Backplate (5) over the ceramic disc assembly (3) onto the finished wall.



5. Install the outlet (8) prior to the domes (6) to secure the backplate (5) to wall surface. Please ensure that the backplate is level before tightening.

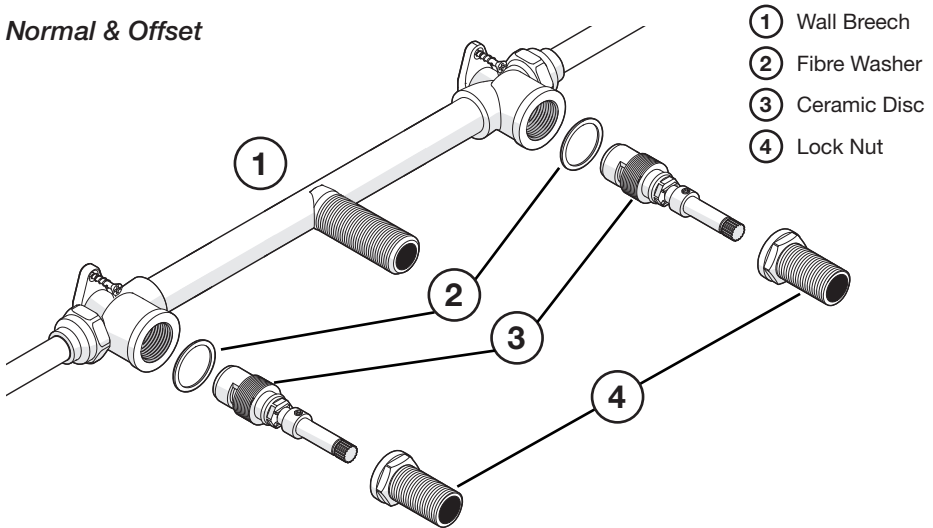
6. Firmly push the handle (7) to the main body (Fig E). Tighten the grub screw (9) to secure.



Please Note: In the diagrams above (Fig D & Fig E), for clarity the tile wall face has not been depicted.

Wall Sets on Plate

Normal & Offset

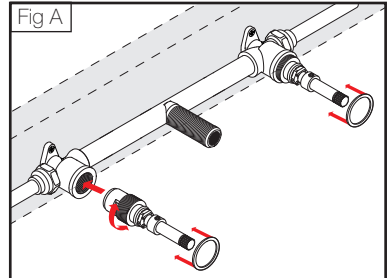


1. Prior to installing ceramic disc assembly make sure the seat surface is clean and smooth otherwise reseal and recheck. Also ensure that lines have been flushed.

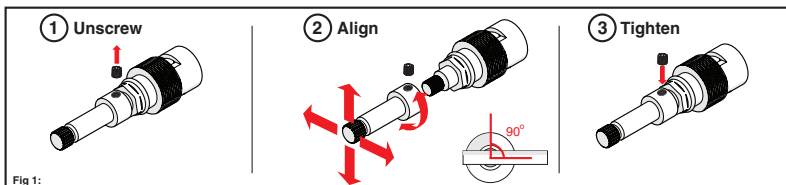
Ensure that the hot and cold indicators located on the bottom of the Ceramic Disc Assembly (3) are placed in the corresponding side of the breech.

2. Insert ceramic disc assembly (3) into Wall breech. Tighten ceramic disc assembly (3) firmly using a 14mm Deep tube socket (not supplied). Then place the fibre washer (2) over the ceramic disc assembly (3) and onto the face of the Wall breech (1).

Align handle. Please refer to Fig 1 below.

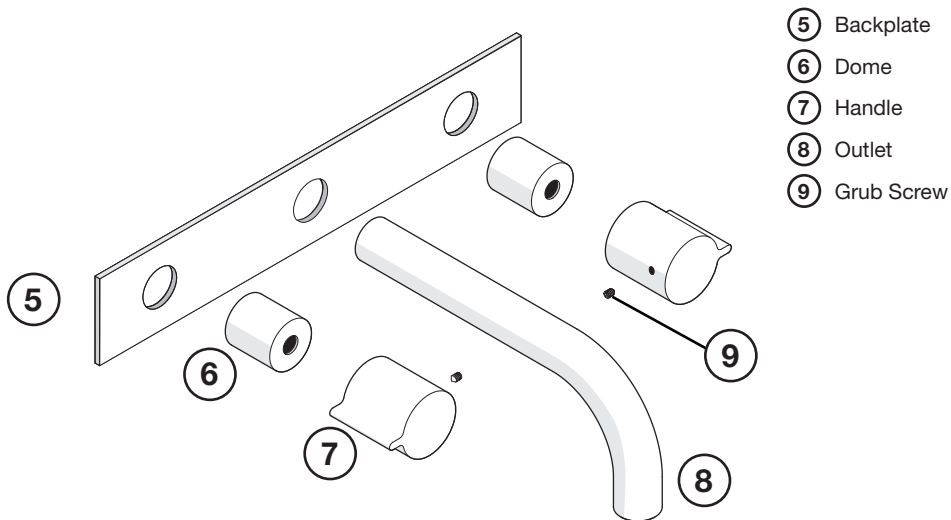


Handle Alignment



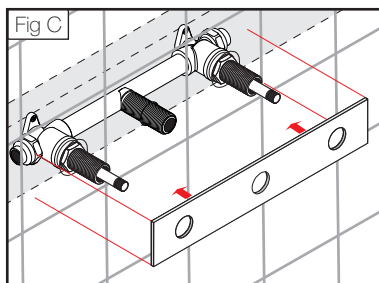
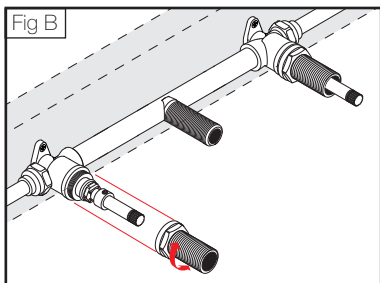
Firstly ensure that the disc is in the closed position and then fit handle to align.

*Fig 1: To align the handle, loosen grub screw from the extension using 2mm allen key, then rotate the position of the extension and ceramic disc cartridge until the desired handle position is achieved.



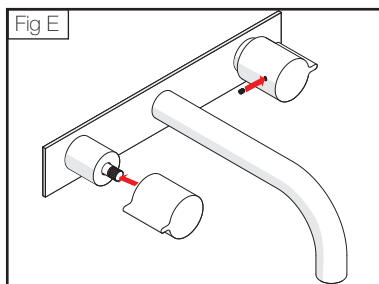
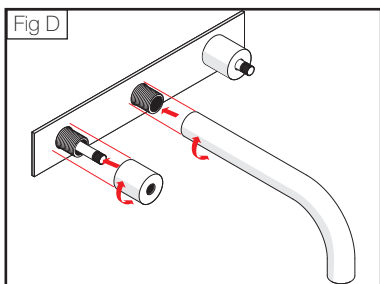
3. After the handle has been aligned, screw the Brass lock nut (4) onto the ceramic disc assembly (3) and tighten firmly using a 25mm deep tube socket.

4. Slide the Backplate (5) over the ceramic disc assembly (3) onto the finished wall.



5. Install the outlet (8) prior to the domes (6) to secure the backplate (5) to wall surface. Please ensure that the backplate is level before tightening.

6. Firmly push the handle (7) to the main body (Fig E). Tighten the grub screw (9) to secure.



Please Note: In the diagrams above (Fig D & Fig E), for clarity the tile wall face has not been depicted.



P A R
TAPS



www.partaps.com



[/ParTapsPtyLtd](https://www.facebook.com/ParTapsPtyLtd)



[@par_taps](https://www.instagram.com/par_taps)