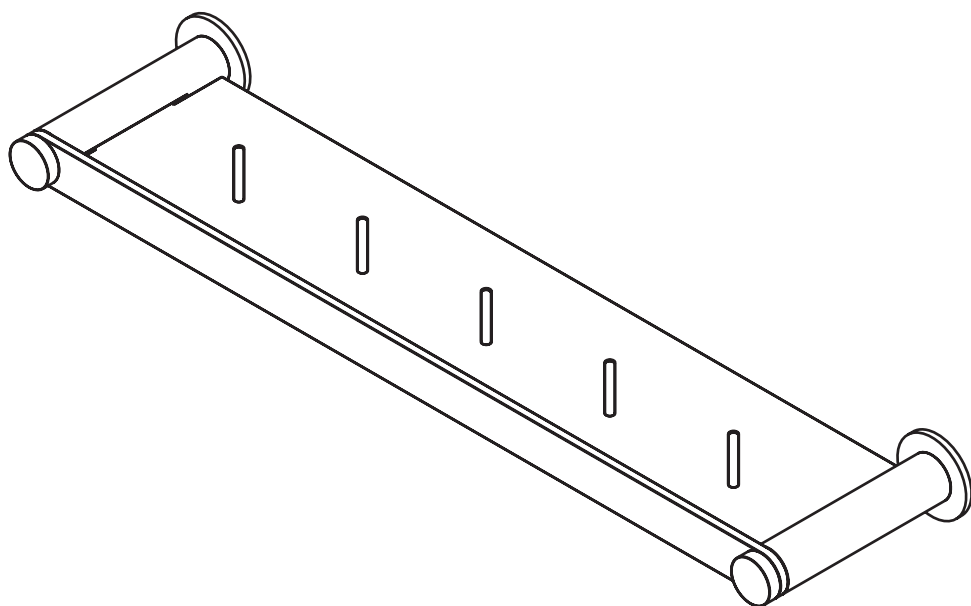


Lugano Metal Shelf

Installation Guide



P A R
TAPS



www.partaps.com

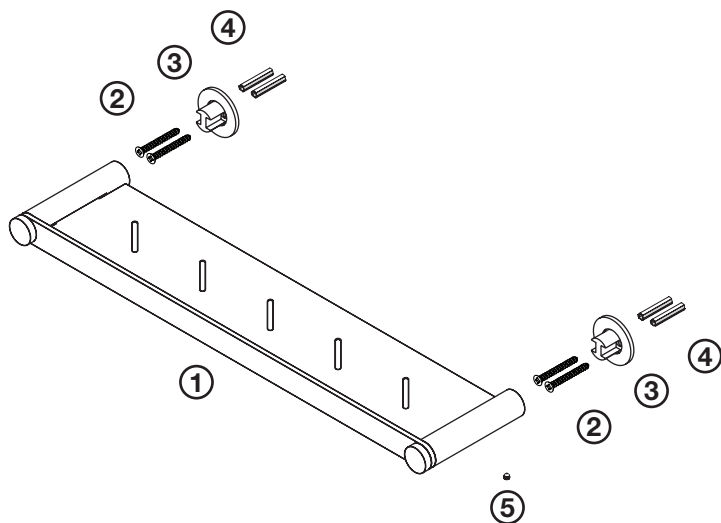


[/ParTapsPtyLtd](https://www.facebook.com/ParTapsPtyLtd)



[@par_taps](https://www.instagram.com/par_taps)

Contents

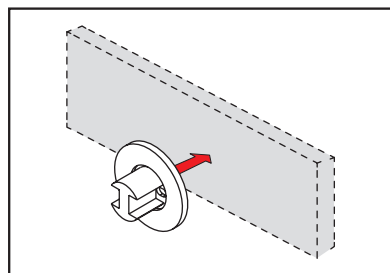
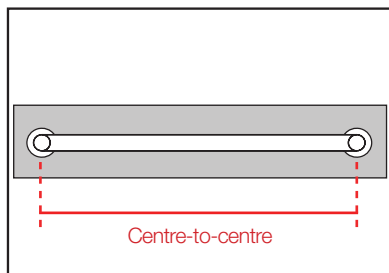


- ① Metal Shelf
- ② Screws
- ③ Wall Bracket
- ④ Wall Plug
- ⑤ Grub Screw

1. Prior to installation of the metal shelf, measure the centre-to-centre distance between the two brackets

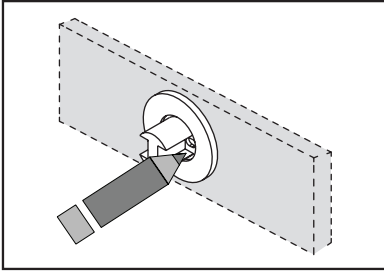
Please ensure the shelf is level

2. Position the Wall Bracket on the wall in the desired mounting location

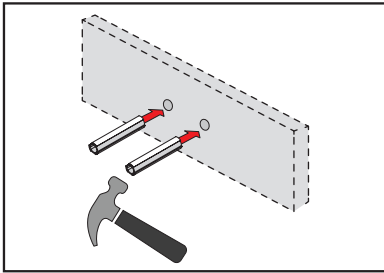


3. Mark the intended mounting points. Use the bracket holes as a template.

Ensure it is positioned straight and level

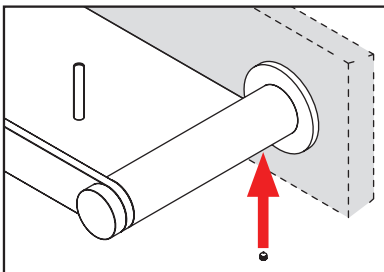


5. Tap the Wall Plugs into place and ready to insert the Wall Brackets

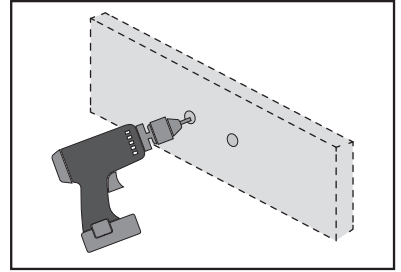


7. Insert the metal shelf and install the grub screw underneath. Tighten the grub screw to ensure fit

Repeat method on the other side

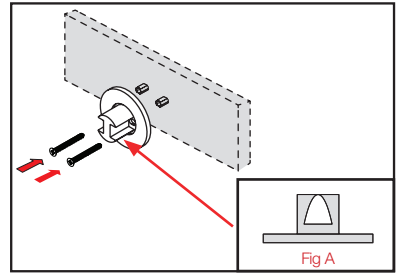


4. Drill the mounting holes to suit the plastic Wall Plugs

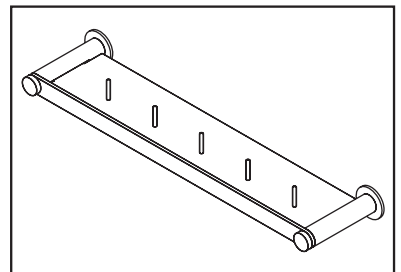


6. Before slotting the Wall Bracket into the inserted Wall Plugs, make sure the cut-out of the Wall Bracket is facing towards the ground (Fig A)

After that, install the screws through the Wall Bracket and Wall Plugs



8. Lugano Metal Shelf is ready to be used





P A R
TAPS