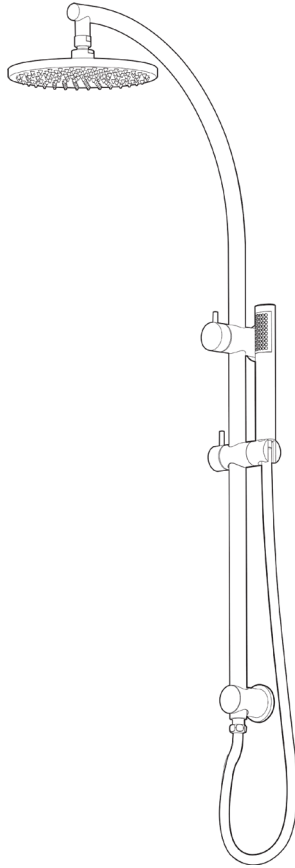


Lugano Wall Shower Divertor on Rail

Installation Guide



P A R
TAPS



/ParTapsPtyLtd

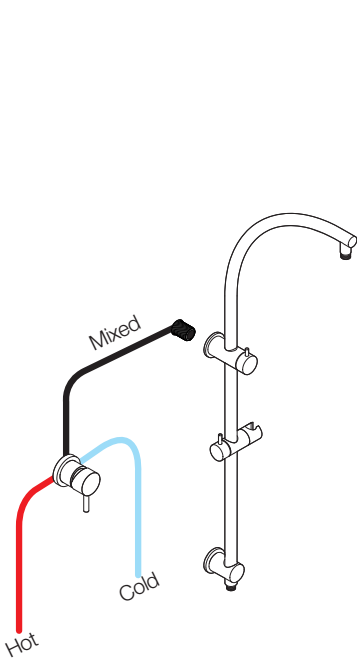


www.partaps.com

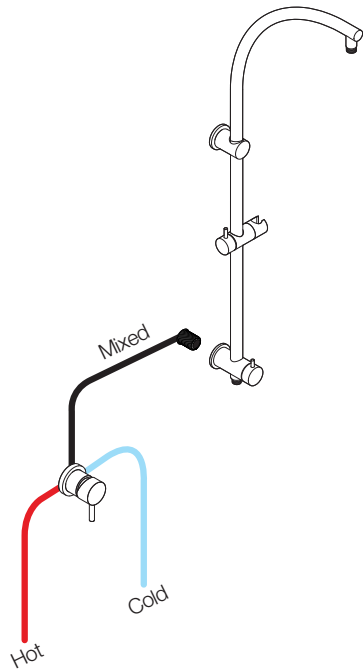


@par_taps

Set Up



Top Inlet Installation
page 3-4

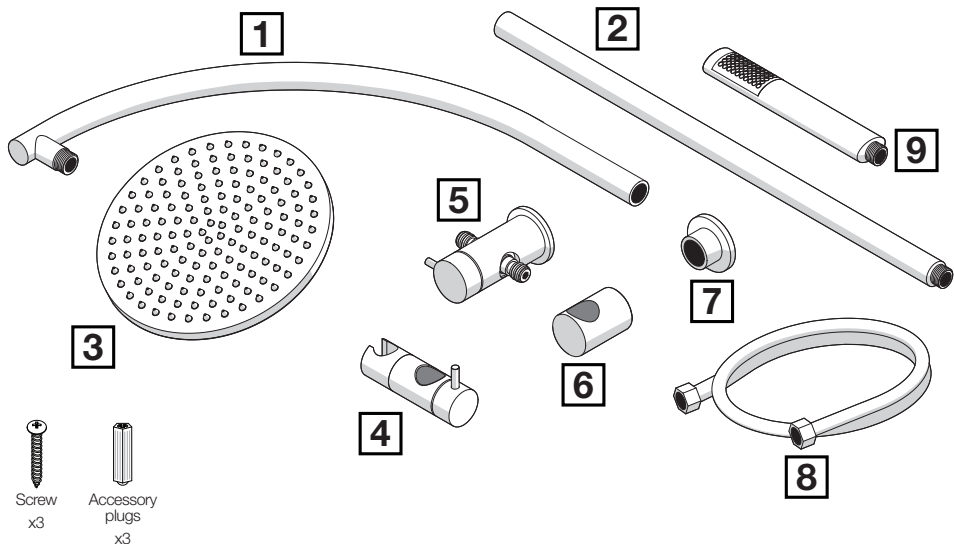


Bottom Inlet Installation
page 5-6

Parts/Tools Included



Top Inlet Installation



1 Shower Arm

4 Sliding Bracket

7 Seat Flange

2 Shower Rail

5 Divertor Body

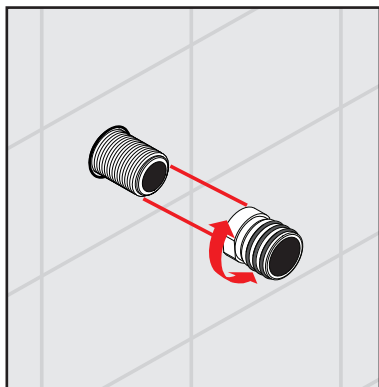
8 Hose

3 Shower Rose

6 Rail Bracket

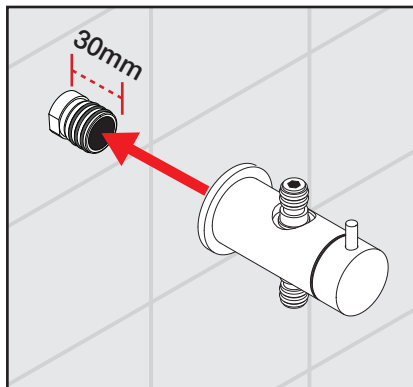
9 Handpiece

1. Using a spanner, screw the Push-fit connector to the 1/2 thread

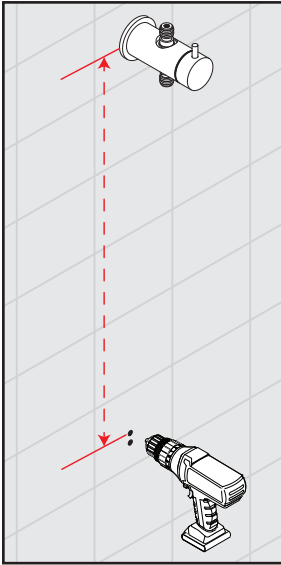


2. Push-fit the Divertor Body (5) onto the connection and tighten both grub screws on top and below the body.

Please note, Push-fit connector must protrude 30mm from the face of tile / wall



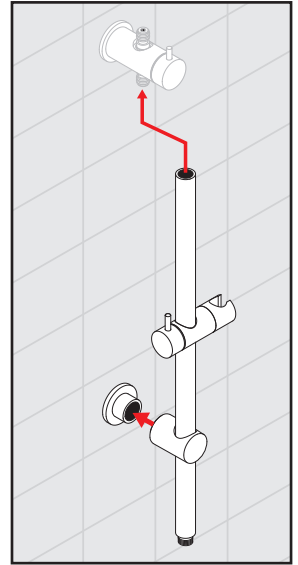
3. Measure vertically according to the Shower Rail length and drill two holes.



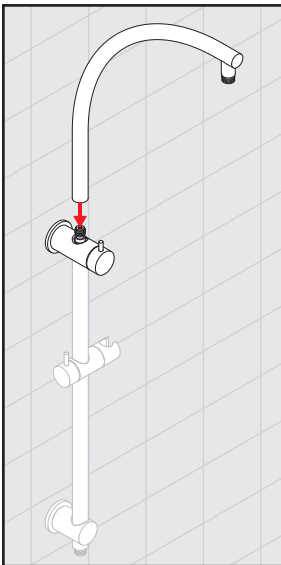
4. Push the Plastic Accessory Plugs into the holes then screw the Seat Flange (7) into the plugs.



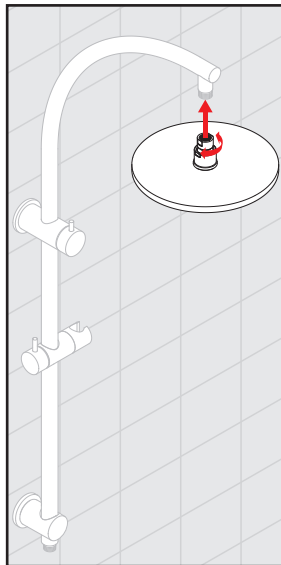
5. Insert the Sliding Bracket (4) then Rail Bracket (6) to the Shower Rail (2). Tighten the grub screws on the Rail Bracket (6) and Shower Rail (2).



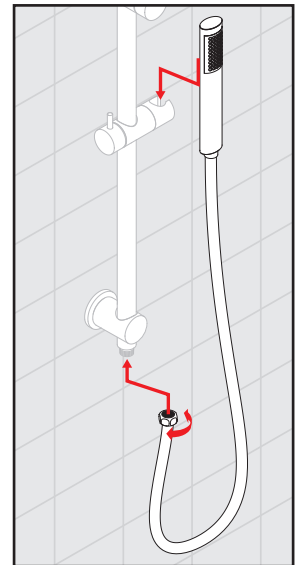
6. Push fit the Shower Arm (1) onto the nipple on top of the Divertor Body (5). Tighten the grub screw to secure the arm to the nipple.



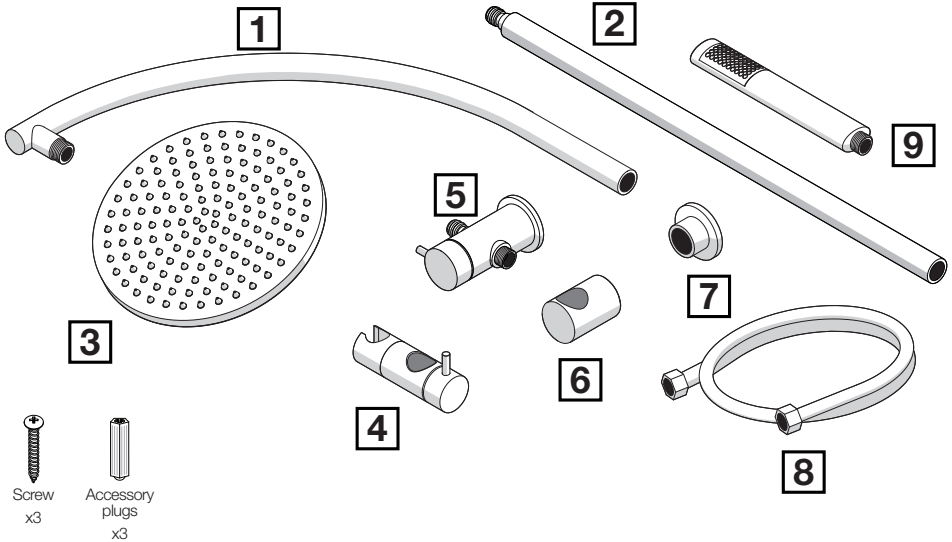
7. Screw the Shower Rose (3) to the Arm (1) and tighten with a spanner.



8. Attach the Hose (8) to the Handpiece (9) then tighten to the base of the Shower Rail (3).



Bottom Inlet Installation



1 Shower Arm

2 Shower Rail

3 Shower Rose

4 Sliding Bracket

5 Divertor Body
with adaptor

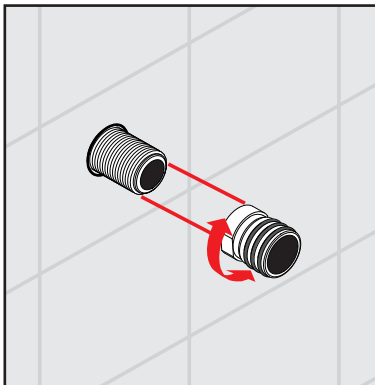
6 Rail Bracket

7 Seat Flange

8 Hose

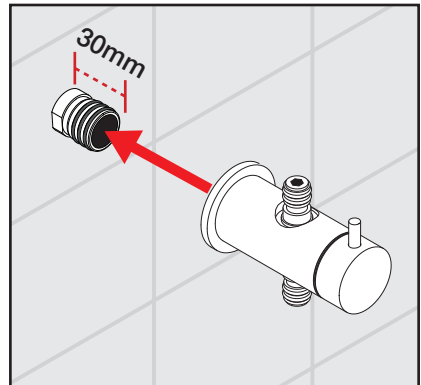
9 Handpiece

1. Using a spanner, screw the Push-fit connector to the 1/2 thread

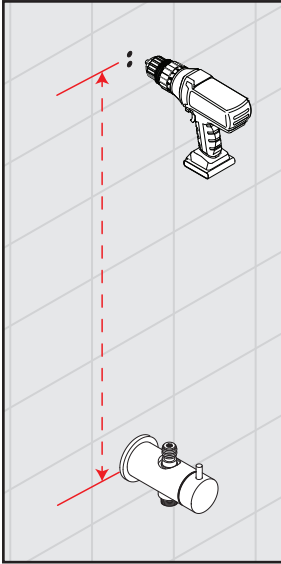


2. Push-fit the Divertor Body (5) onto the connection and tighten both grub screws on top and below the body.

Please note, Push-fit connector must protrude 30mm from the face of tile / wall



3. Measure vertically according to the Shower Rail (2) length and drill two holes.

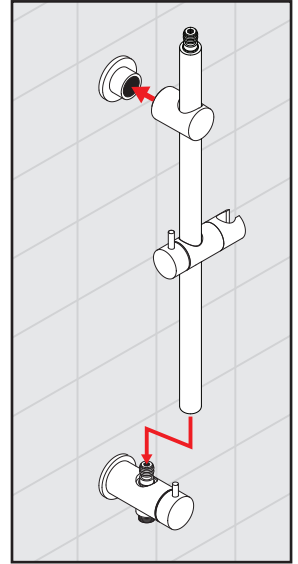


4. Push the Plastic Accessory Plugs into the holes then screw the Seat Flange (7) into the anchors.

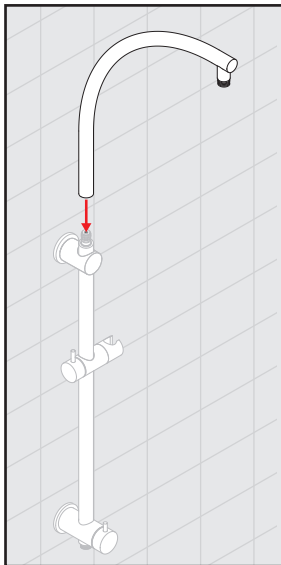


5. Insert the Sliding Bracket (4) then Rail Bracket (6) to the Shower Rail (2).

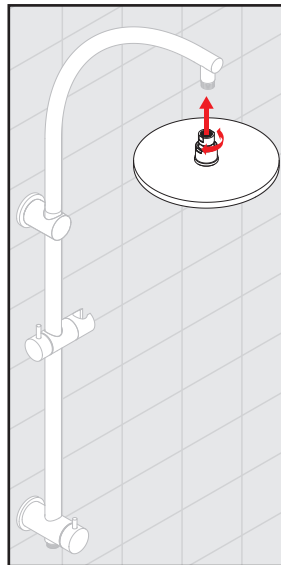
Tighten the grub screws on the Rail Bracket (6) and Shower Rail (2).



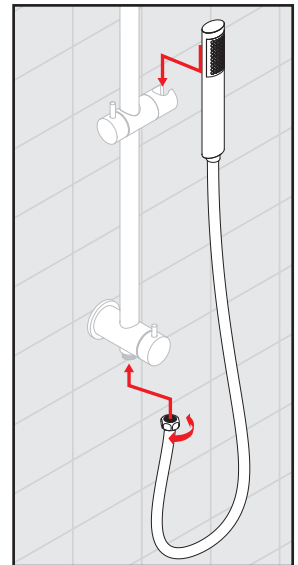
6. Push fit the Shower Arm (1) onto the nipple of the Shower Rail (2). Tighten the grub screw to secure the arm to the nipple.



7. Screw the Shower Rose (3) to the Arm (1) and tighten with a spanner.



8. Attach the Hose (8) to the Handpiece (9) then tighten to the base of the Divertor Body (5).





P A R
TAPS