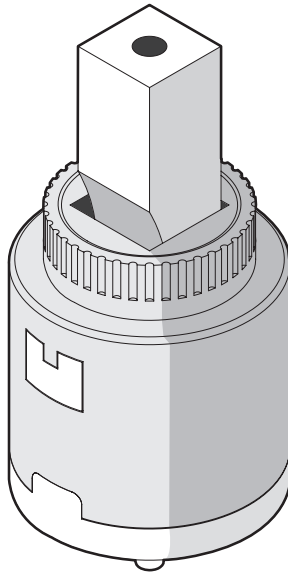


# Mixer Cartridge Replacement

---

## Installation Guide



P A R  
TAPS



[www.partaps.com](http://www.partaps.com)



[/ParTapsPtyLtd](https://www.facebook.com/ParTapsPtyLtd)

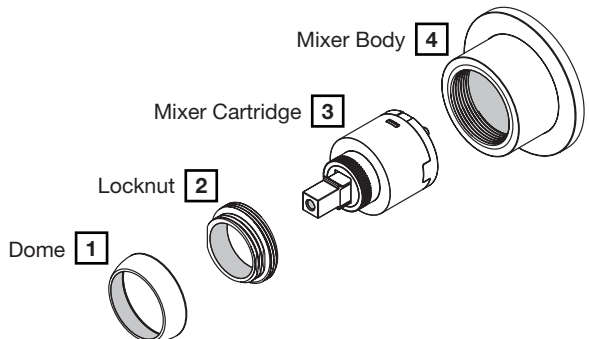
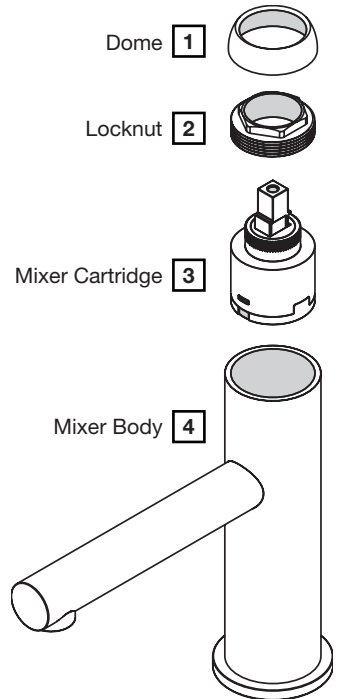
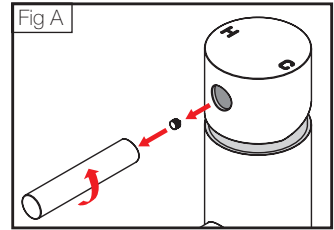


[@par\\_taps](https://www.instagram.com/par_taps)

# Replacing Mixer Cartridges

Applicable to Hob and Wall Mixers collections

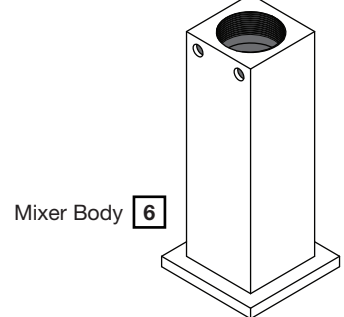
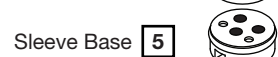
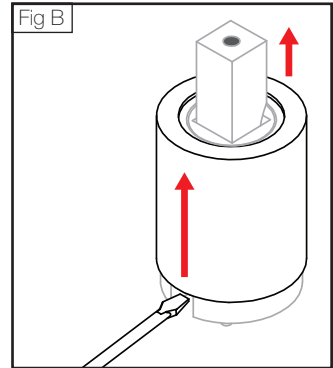
1. Turn off mains water supply and ensure that all dishwashers and washing machines are not in use.
2. If present, remove the plastic cap covering the grub screw. Loosen the grub screw and remove the handle. Some models do not have this cap and the grub screw is located by removing the Lever Pin (Fig A).
3. Gently pry off the Dome (1) from inside by unscrewing by hand or with a flat screwdriver if it's Sol or IDK product
4. With a spanner of suitable size, unscrew the cartridge locknut (2). Some mixers may require a tube socket to remove the locknut (2). Take care not to damage either the locknut or the exterior finish of the body (4).
5. Remove the mixer cartridge (3). Check inside the body for any foreign matter and clean if necessary.
6. Insert the new cartridge, ensuring that the locators on the bottom of the cartridge match the position of the holes in the body(4).
7. Hold the mixer cartridge firm while screwing the locknut (2) back with a spanner to a firm tightness (ensure you do not overtighten). Take extra care in this procedure as not to damage the thread on the body (4) or the locknut (2).
8. Turn mains water back on and ensure there are no leaks present anywhere.
9. Fit the Dome (1) back on by hand, replace the handle and tighten the grub screw. Ensure the handle has a secure fitment, and push the plastic cap back in if one was removed.



# Replacing BURJ (2014 and earlier) Mixer Cartridges

Applies to BURJ mixers purchased in 2014 and earlier

1. Turn off mains water supply and ensure that all dishwashers and washing machines are not in use.
2. Remove the plastic cap from the handle rear with a flat screwdriver. Loosen grub screws and remove handle.
3. Gently pry off Dome (1) from inside with a flat screwdriver
4. With a spanner of suitable size, unscrew the cartridge locknut(2). Take care not to damage either the locknut or the exterior finish of the body (6).
5. Remove the mixer cartridge, which is inside a brass sleeve (3). Grip the top of the cartridge sleeve (3), and the protruding sleeve base lip (5). Apply pressure and twist the bottom base out of the sleeve using a small screwdriver in the opening between the "O" Rings (Fig B). Remove the mixer cartridge (4) from the sleeve.
6. After removing the mixer cartridge, check inside the mixer body for foreign matter and clean if necessary.
7. Insert the new cartridge into the brass sleeve (3) and replace the bottom sleeve base (5), ensuring the holes on the flat face of the base match the two raised plastic knobs on the bottom of the cartridge. Press firmly into place.
8. Replace the sleeved cartridge into the body (6), ensuring the two locating screws in the sleeve base line up with the locater holes in the body (6).
9. Replace the cartridge locknut (2), ensuring you do not over tighten. Take extra care in this procedure as not to damage the thread on the body (6) or the locknut (2).
10. Push the Dome (1) back on by hand, install the handle and tighten the grub screws, making sure that the handle has a secure fitment. Replace the plastic caps on the rear of the handle.





P A R  
TAPS