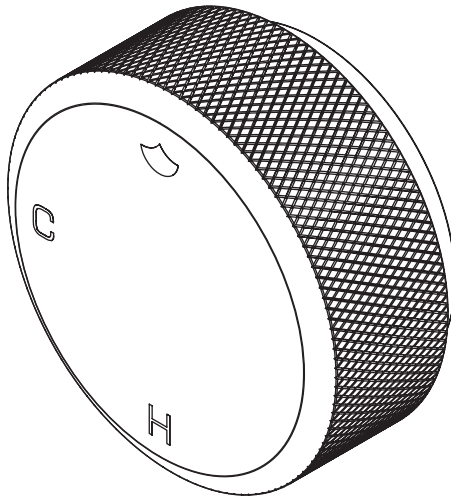




P A R  
TAPS

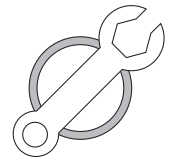
---



# Opus Wall Progressive Mixer

Rough in Guide & Installation Guide

# Important Information



## Prior to Installation:

- Please read these instructions completely.
- All instructions serve as a guide only and must be installed by a licensed plumber in accordance with AS/NZS 3500.1. Installation carried out by unlicensed individuals will void all warranties.
- Supply lines must be flushed prior to installation to remove any foreign matter.
- All products are suitable for use with most instantaneous hot water heaters, however are not compatible with gravity-fed water systems.

## Water Pressure & Temperature:

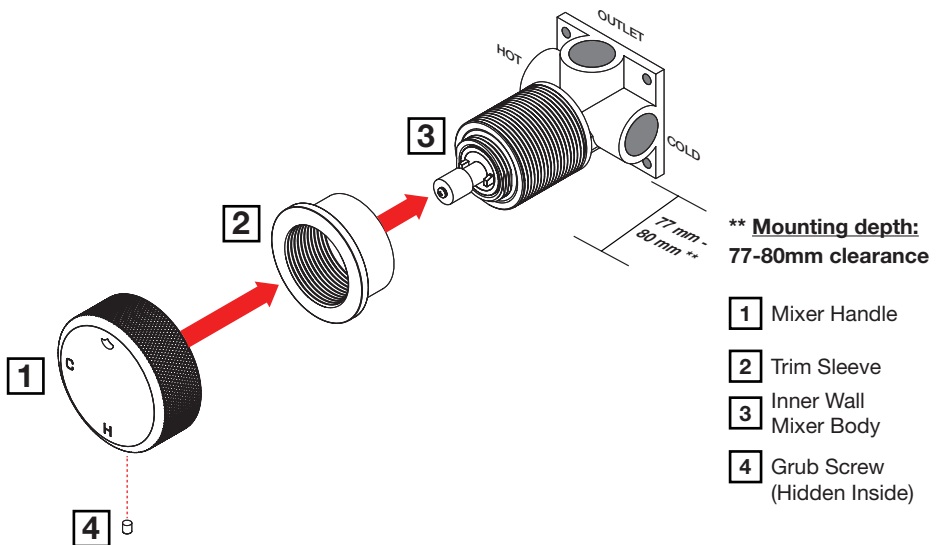
This Par Taps products are to be installed by a Licensed Plumber in accordance with AS/NZS 3500.1

Maximum Water Temperature — — — — — 80° Celcius

Regulatory Maximum Water Pressure — — — — — 500kPa

**Note:** In areas where the recommended maximum water pressure is exceeded, pressure-limiting valves must be installed.

# Wall Mixer



## Product Depictions in this Guide

There will be variations in appearance between this guide and products ranges, but installation remains identical.

# Rough-In

## Wall Cut-out Profile, Sizes and Clearances

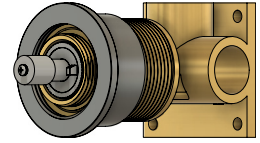
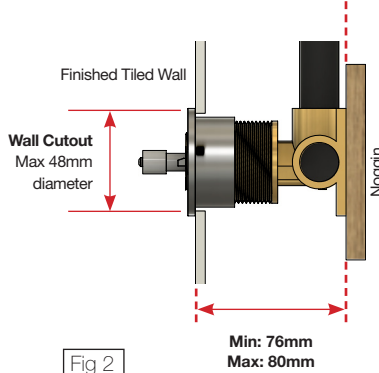
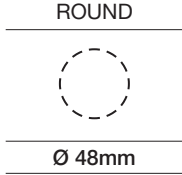
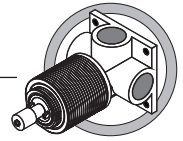


Fig 1

Fig 2

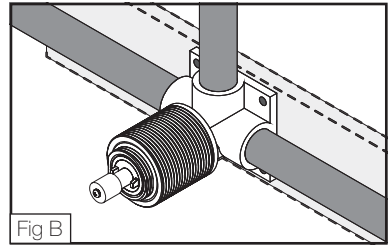
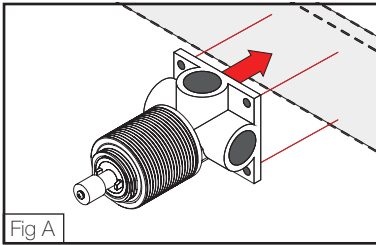
Fig 3

### Rough-In Notes:

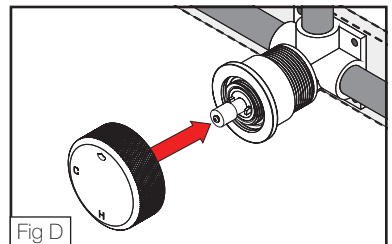
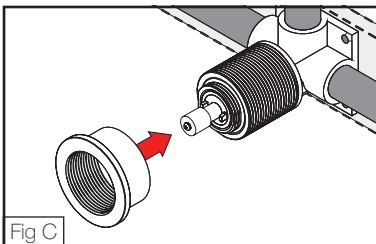
The hole sizing chart above (Fig 1) depicts the ideal profile and dimensions for wall cut out. This is to ensure the mixer Trim Sleeve (3) fits within the void over the mixer body without any interference.

Prior to installing, calculate the finished wall thickness to ensure the Trim Sleeve and Handle will fit the final assembly. **Recommended clearances indicated above (Fig 2).**

1. Screw the Inner Wall Mixer Body (3) to the noggin (Fig A) or mounting plate (where fitted). Use a spirit-level to ensure mixer is straight.
2. Connect the water supply lines to the Inner Wall Mixer Body (3) (Fig B), then connect the water outlet (H+C). Test for any signs of leaks.

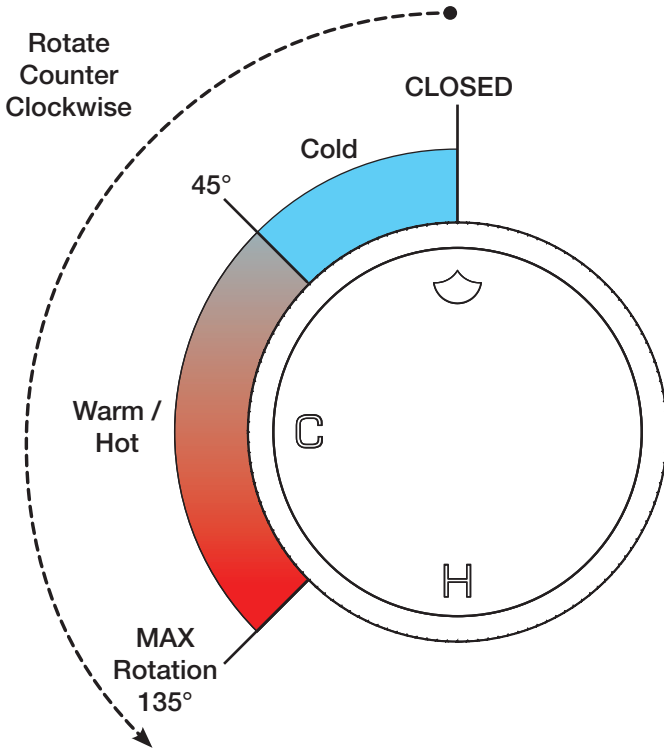


3. Screw in the Mixer Trim Sleeve (2) over the Inner Wall Mixer Body (Fig C).
4. Push fit the Mixer Handle (1) into the Inner Wall Mixer Body (3). Use grub screw (4) to tighten the connection



**Please Note:** In the diagrams above, for clarity the tile wall face has not been depicted.

# Standard Operation



P A R  
TAPS



[www.partaps.com](http://www.partaps.com)



[/ParTapsPtyLtd](https://www.facebook.com/ParTapsPtyLtd)



[@par\\_taps](https://www.instagram.com/par_taps)