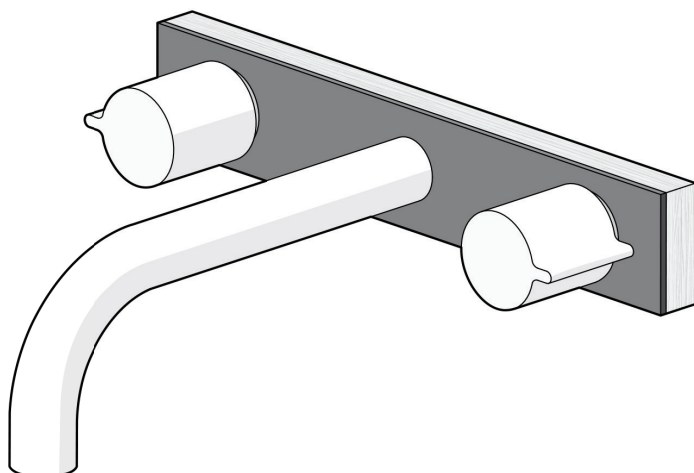


Q Wood Collection

Installation Guide



P A R
TAPS



www.partaps.com

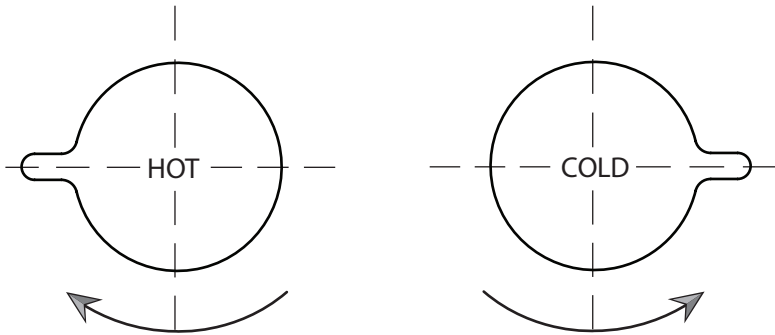


[/ParTapsPtyLtd](https://www.facebook.com/ParTapsPtyLtd)



[@par_taps](https://www.instagram.com/par_taps)

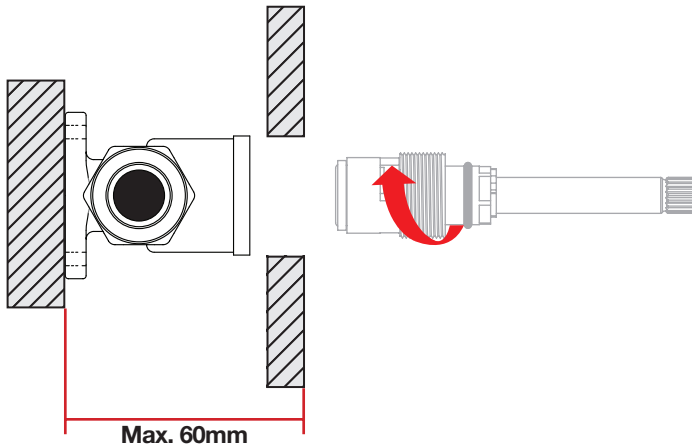
Handle Direction



Safety Note:

For your safety, Par Taps spindles are 'Contra Turn' designed. Handles should be fitted to turn/open towards the outlet thus preventing potential accidents such as scolding.

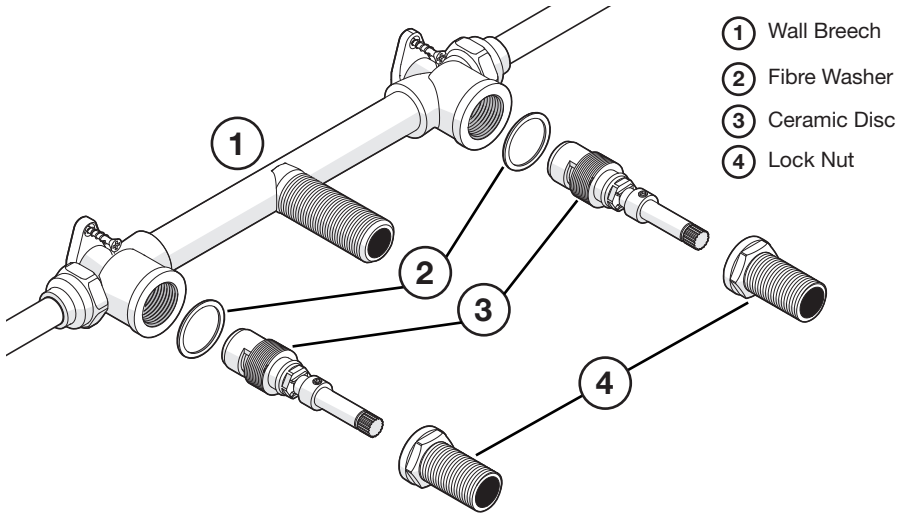
Wall Offset



Please Note:

For correct fitment, it is essential that there is a 60mm space between the face of the noggin and wall surface. If this space is exceeded, longer spindle extensions will need to be fitted.

Wall set on plate

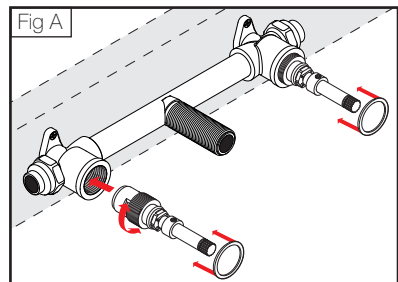


1. Prior to installing ceramic disc assembly make sure the seat surface is clean and smooth otherwise reseal and recheck. Also ensure that lines have been flushed.

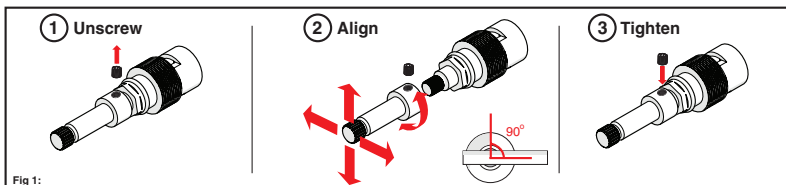
Ensure that the hot and cold indicators located on the bottom of the Ceramic Disc Assembly (3) are placed in the corresponding side of the breach.

2. Insert ceramic disc assembly (3) into Wall breach. Tighten ceramic disc assembly (3) firmly using a 14mm Deep tube socket (not supplied). Then place the fibre washer (2) over the ceramic disc assembly (3) and onto the face of the Wall breach (1).

Align handle. Please refer to Fig 1 below.

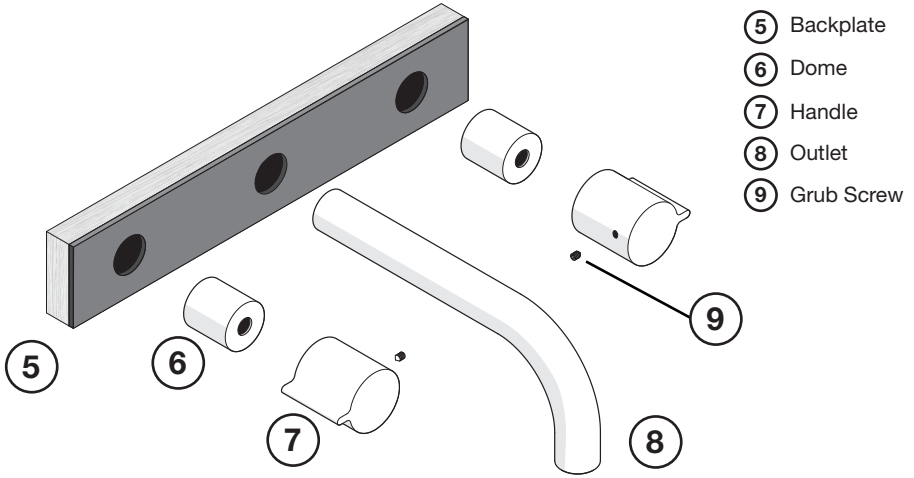


Handle Alignment



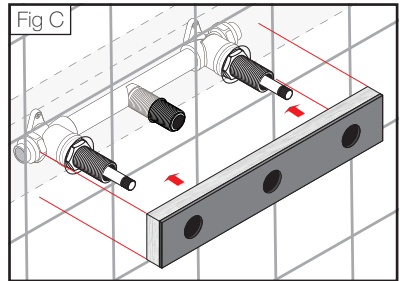
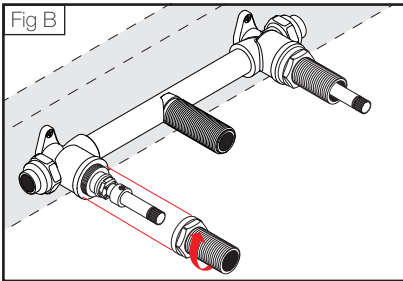
Firstly ensure that the disc is in the closed position and then fit handle to align.

*Fig 1: To align the handle loosen grub screw from the extension using 2mm allen key, then rotate the position of the extension and ceramic disc cartridge until the desired handle position is achieved.



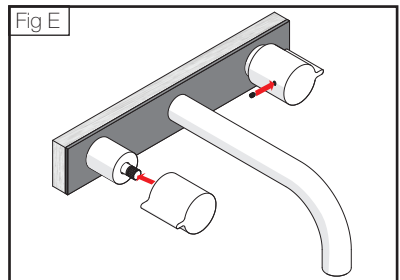
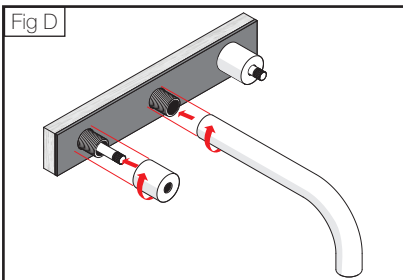
3. After the handle has been aligned, screw the Brass lock nut (4) onto the ceramic disc assembly (3) and tighten firmly using a 25mm deep tube socket.

4. Slide the Backplate (5) over the ceramic disc assembly (3) onto the finished wall.



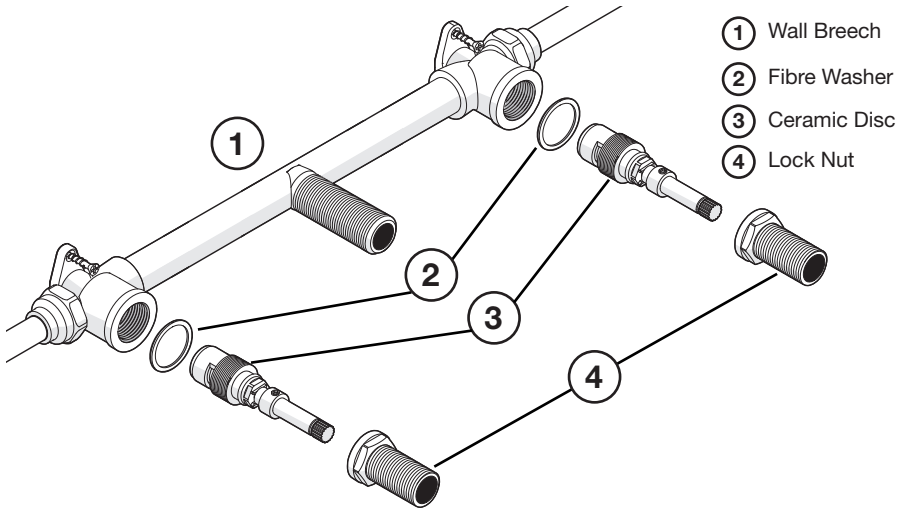
5. Install the outlet (8) prior to the domes (6) to secure the backplate (5) to wall surface. Please ensure that the backplate is level before tightening.

6. Firmly push the handle (7) to the main body (Fig E). Tighten the grub screw (9) to secure.



Please Note: In the diagrams above (Fig D & Fig E), for clarity the tile wall face has not been depicted.

Wall set

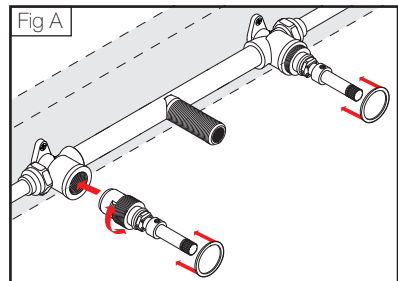


1. Prior to installing ceramic disc assembly make sure the seat surface is clean and smooth otherwise reseal and recheck. Also ensure that lines have been flushed.

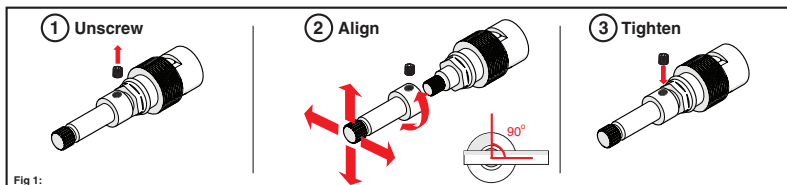
Ensure that the hot and cold indicators located on the bottom of the Ceramic Disc Assembly (3) are placed in the corresponding side of the breach.

2. Insert ceramic disc assembly (3) into Wall breech. Tighten ceramic disc assembly (3) firmly using a 14mm Deep tube socket (not supplied). Then place the fibre washer (2) over the ceramic disc assembly (3) and onto the face of the Wall breech (1).

Align handle. Please refer to Fig 1 below.

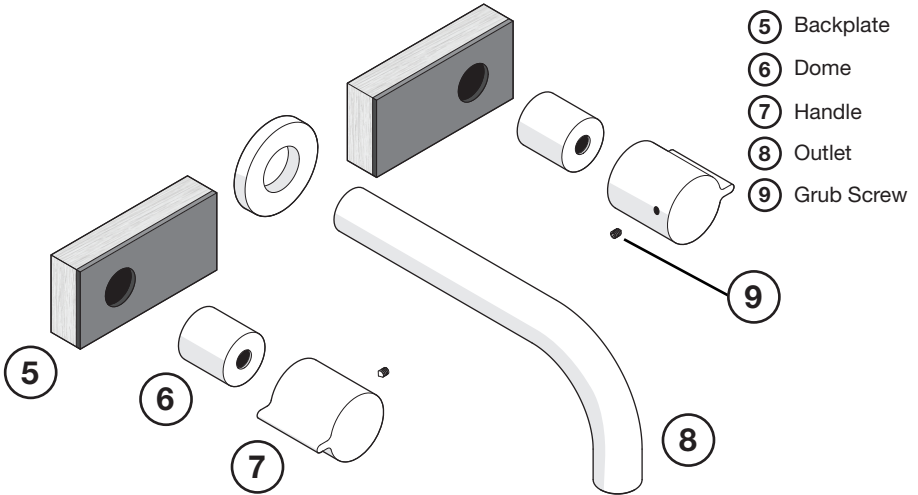


Handle Alignment



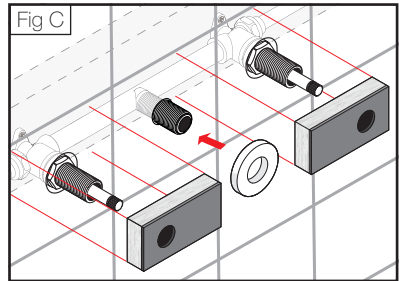
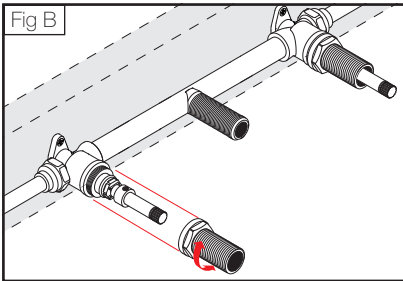
Firstly ensure that the disc is in the closed position and then fit handle to align.

*Fig 1: To align the handle loosen grub screw from the extension using 2mm allen key, then rotate the position of the extension and ceramic disc cartridge until the desired handle position is achieved.



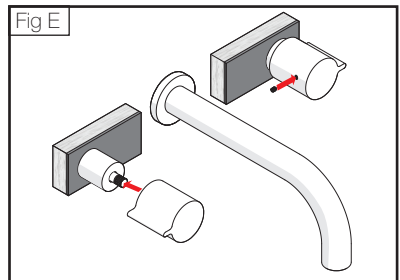
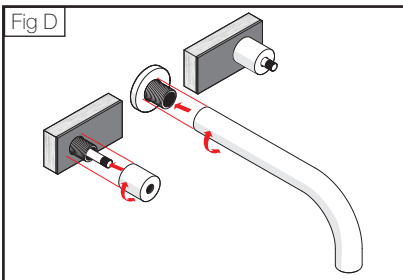
3. After the handle has been aligned, screw the Brass lock nut (4) onto the ceramic disc assembly (3) and tighten firmly using a 25mm deep tube socket.

4. Slide the Backplate (5) over the ceramic disc assembly (3) onto the finished wall.



5. Install the outlet (8) prior to the domes (6) to secure the backplate (5) to wall surface. Please ensure that the backplate is level before tightening.

6. Firmly push the handle (7) to the main body (Fig E). Tighten the grub screw (9) to secure.



Please Note: In the diagrams above (Fig D & Fig E), for clarity the tile wall face has not been depicted.



P A R
TAPS