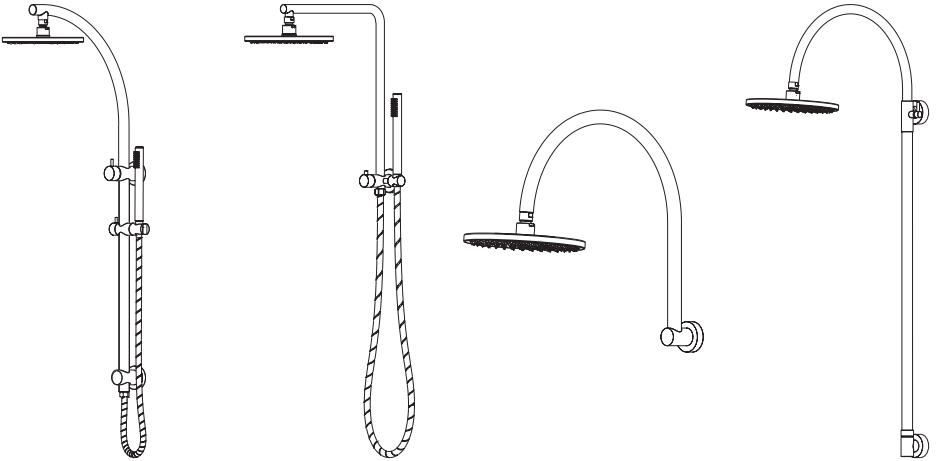




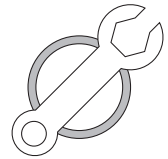
PAR
TAPS



Wall Showers Collection

Installation Guide

Important Information



Prior to Installation:

- All instructions serve as a guide only and the shower must be installed by a licenced plumber in accordance with AS/NZS 3500. Installation carried out by unlicensed individuals will void all warranties.
- Supply lines must be flushed prior to installation to remove any foreign matter.
- All products are suitable for use with mains pressure and most instantaneous hot water heaters. However, they are not compatible with gravity-fed water heaters, low/unequal pressure networks, instantaneous water heaters and thermostatic mixing valves.
- Where flow controllers are installed, care should be exercised during installation to ensure that male connecting threads do not damage the flow controller
- Please check all measurements prior to installation

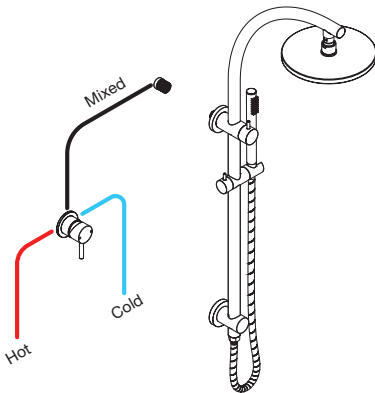
Water Pressure & Temperature:

This Par Taps products are to be installed by a Licensed Plumber in accordance with AS/NZS 3500

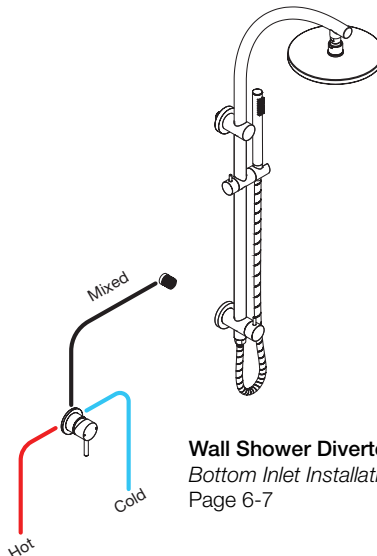
Maximum Water Temperature — — — — — 65° Celcius

Regulatory Maximum Water Pressure — — — — — 500kPa

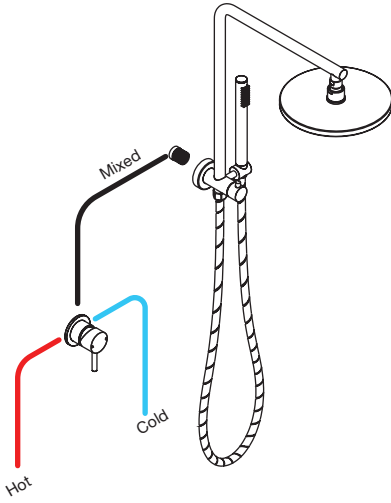
Page of Contents



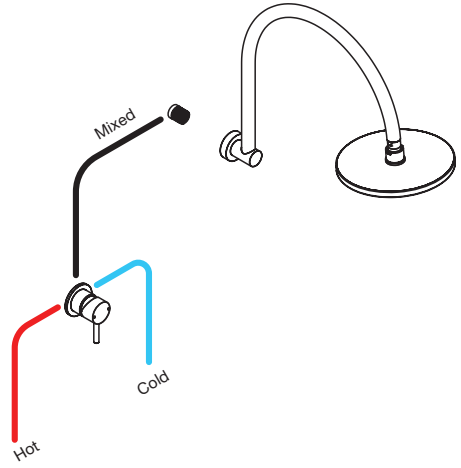
Wall Shower Diverter on Rail
Top Inlet Installation
Page 4-5



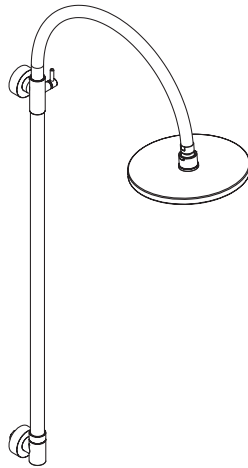
Wall Shower Diverter on Rail
Bottom Inlet Installation
Page 6-7



High Rise Dual Shower with Divertor
Installation
 Page 8



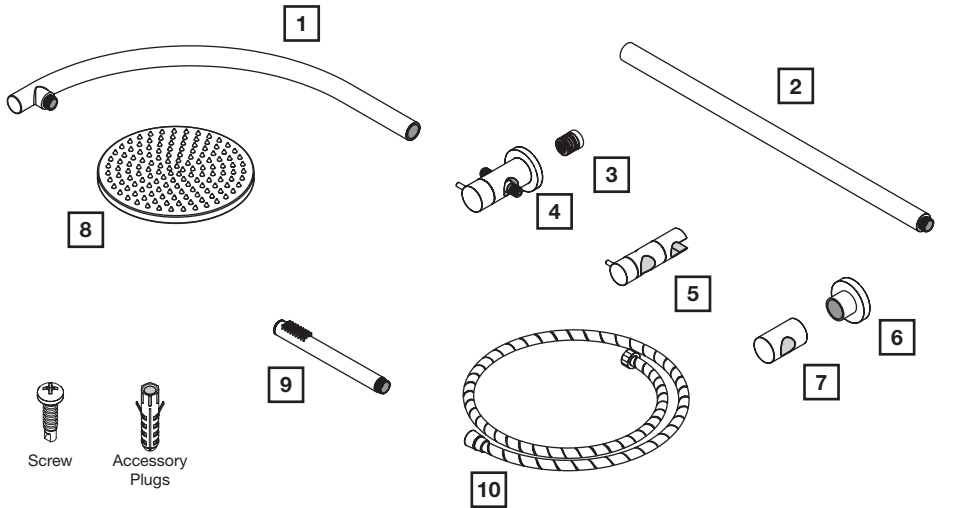
Wall Hi-Rise Shower & Arm
Installation
 Page 9



Exposed Wall Shower & Arm
Installation
 Page 10

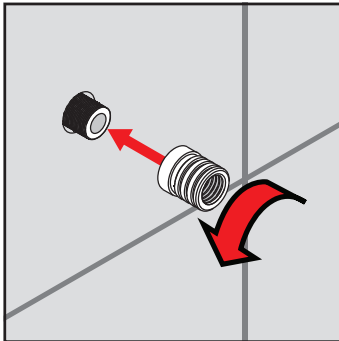
Wall Shower Divertor on Rail

Top Inlet Installation



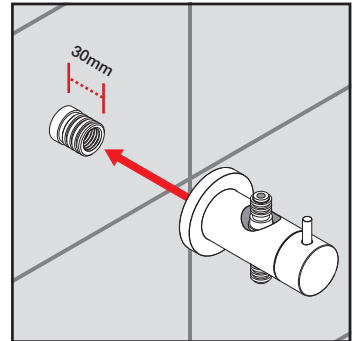
- | | | | | |
|----------------------|-----------------------|-----------------------------|------------------------|--------------------------|
| 1 Shower Arm | 2 Shower Rail | 3 Push Fit Connector | 4 Divertor Body | 5 Sliding Bracket |
| 6 Seat Flange | 7 Rail Bracket | 8 Shower Rose | 9 Handpiece | 10 Hose |

1. Using a spanner, screw in and tighten the Push Fit Connector (3) to the 1/2 inch thread

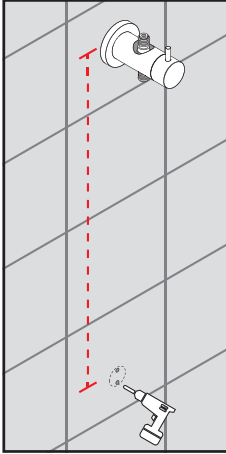


2. Push in the Divertor Body (4) onto the connection (3) and tighten both grub screw on top and bottom of the body

Please note that the Push Fit Connector (3) must protrude 30mm from the face of the tile / wall



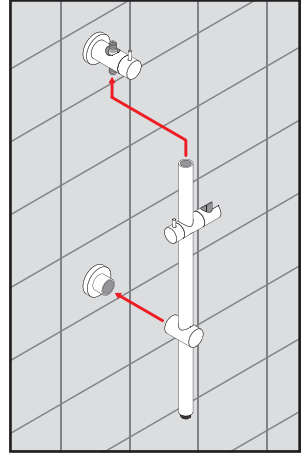
3. Measure vertically according to the Shower Rail length.
Mark and drill 2 holes



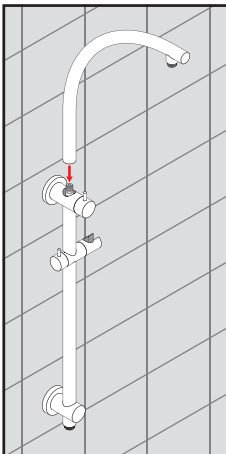
4. Insert Accessory Plugs in to the holes.
Then insert the Seat Flange (6) and use the screws to secure it in place



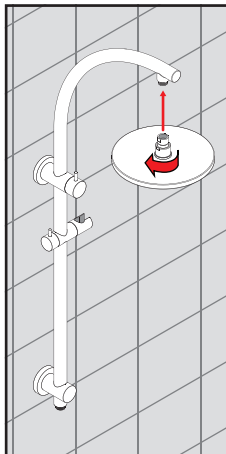
5. Insert Sliding Bracket (5) and the Rail Bracket (7) to the Shower Rail (2)
Push fit the top of the Shower Rail (2) at the bottom of the Divertor Body (4) and then insert the Rail Bracket (7) on the Seat Flange (6).
Tighten the grub screws to secure



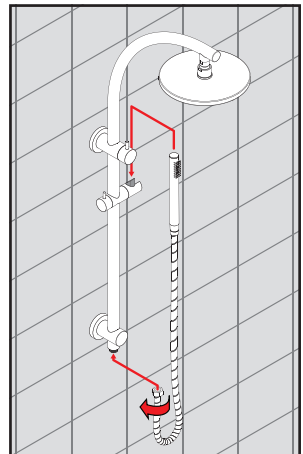
6. Push fit the Shower Arm (1) on the nipple on top of the Divertor Body (4).
Tighten the grub screw to secure the arm to the nipples



7. Screw the Shower Rose (8) to the arm (1) and tighten with a spanner

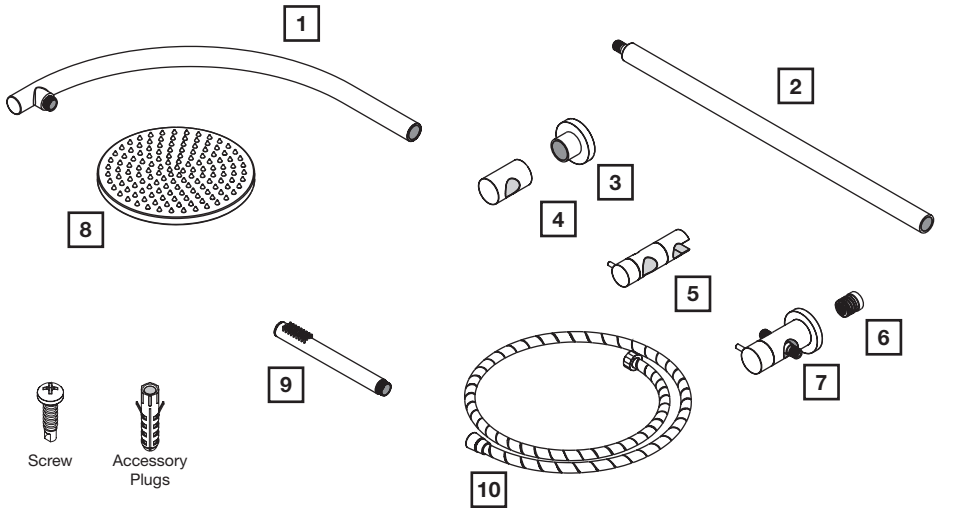


8. Attach the Handpiece (9) to the Hose (10). Then screw in and tighten the Hose (10) on the bottom of the Shower Rail (2)



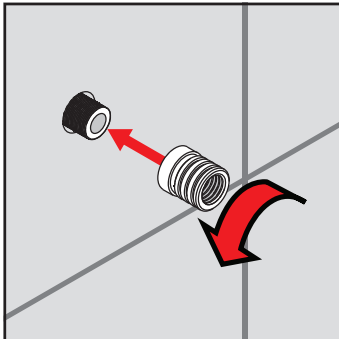
Wall Shower Divertor on Rail

Bottom Inlet Installation



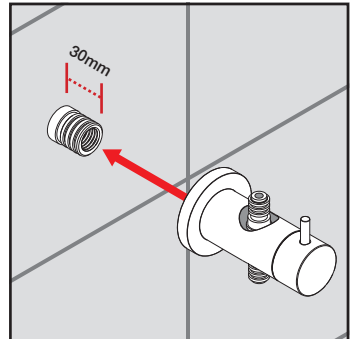
- | | | | | |
|-----------------------------|------------------------|----------------------|-----------------------|--------------------------|
| 1 Shower Arm | 2 Shower Rail | 3 Seat Flange | 4 Rail Bracket | 5 Sliding Bracket |
| 6 Push Fit Connector | 7 Divertor Body | 8 Shower Rose | 9 Handpiece | 10 Hose |

1. Using a spanner, screw in and tighten the Push Fit Connector (3) to the 1/2 inch thread

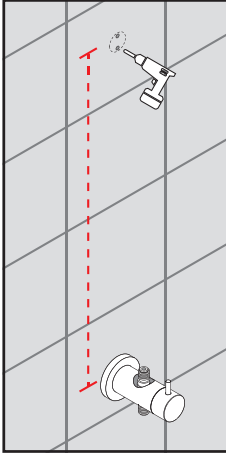


2. Push in the Divertor Body (7) onto the connection (6) and tighten both grub screw on top and bottom of the body

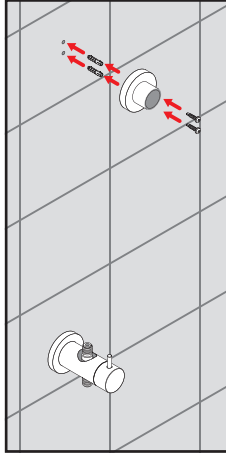
Please note that the Push Fit Connector (6) must protrude 30mm from the face of the tile / wall



3. Measure vertically according to the Shower Rail length.
Mark and drill 2 holes

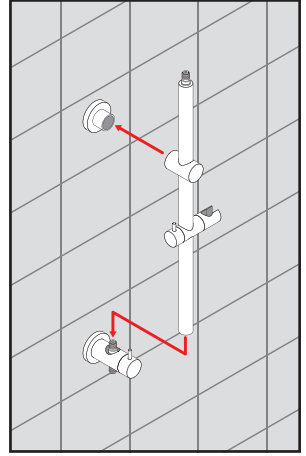


4. Insert Accessory Plugs in to the holes.
Then insert the Seat Flange (3) and use the screws to secure it in place



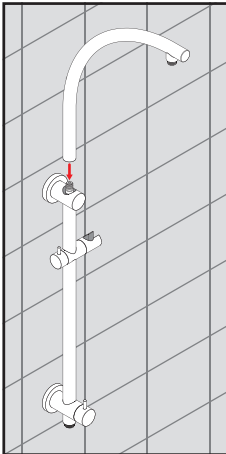
5. Insert Sliding Bracket (5) and Rail Bracket (4) to the Shower Rail (2)
Push fit the bottom of the Shower Rail (2) at the nipple on top of the Divertor Body (7) and then insert the Rail Bracket (4) on the Seat Flange (3).

Tighten the grub screws to secure

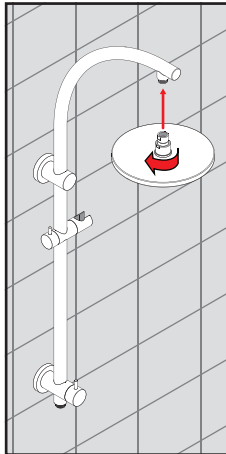


6. Push fit the Shower Arm (1) on the nipple on top of the Shower Rail (2) and through the Rail Bracket (4).

Tighten the grub screw to secure the arm to the nipples

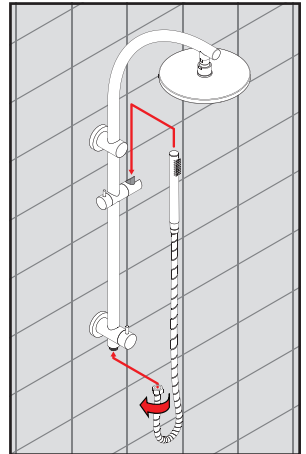


7. Screw the Shower Rose (8) to the arm (1) and tighten with a spanner



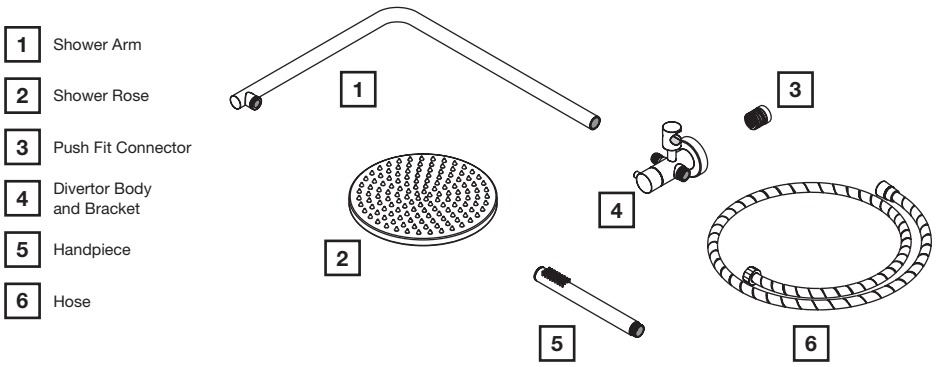
8. Attach the Handpiece (9) to the Hose (10). Then screw in and tighten the Hose (10) on the bottom of the Divertor Body (7)

Insert the Handpiece (9) on the Sliding Bracket holder (5)

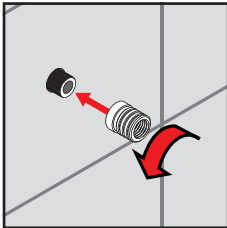


High Rise Dual Shower with Divertor

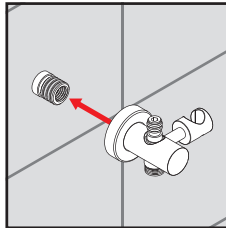
Installation



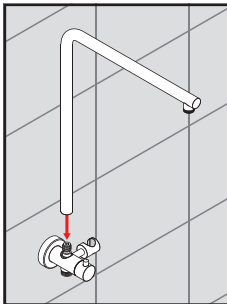
1. Using a spanner, screw the Push Fit Connector (3) to the 1/2 inch thread



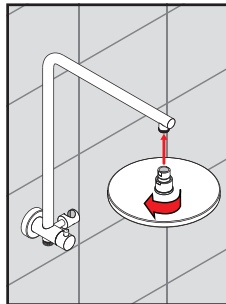
2. Push the Divertor Body and Bracket (4) onto the connection and tighten both grub screw on top and below the body



3. Insert the Shower Arm (1) onto the nipples of the Divertor Body (4).
Tighten the grub screw to secure the arm to the nipples

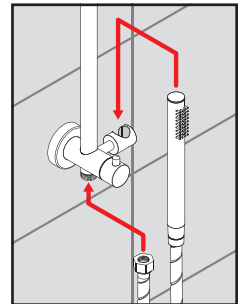


4. Screw the Shower Rose (2) to the Shower Arm (1) and tighten with a spanner



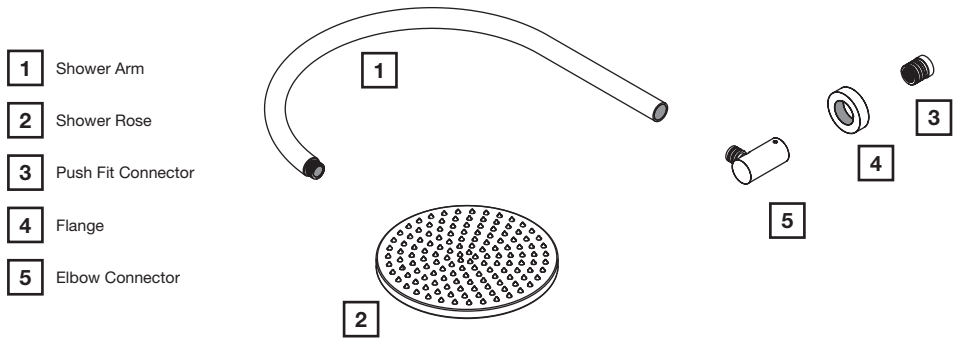
5. Attach and tighten the Hose (6) to the Handpiece (5) and the bottom of the Divertor Body (4)

Place the Handpiece (5) on the holder

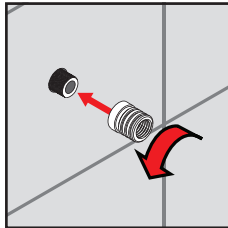


Wall Hi-Rise Shower & Arm

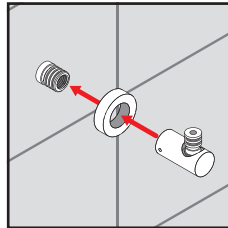
Installation



1. Using a spanner, screw the Push Fit Connector (3) to the 1/2 inch thread

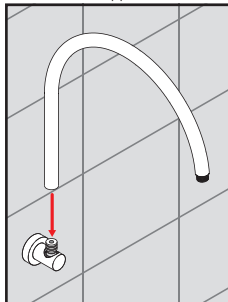


2. Push the Flange (4) and Elbow Connector (5) onto the connection and tighten the grub screw on the body

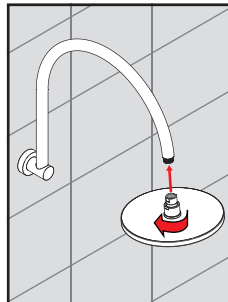


3. Insert the Shower Arm (1) onto the nipples of the Elbow Connector (4).

Tighten the grub screw to secure the arm to the nipples

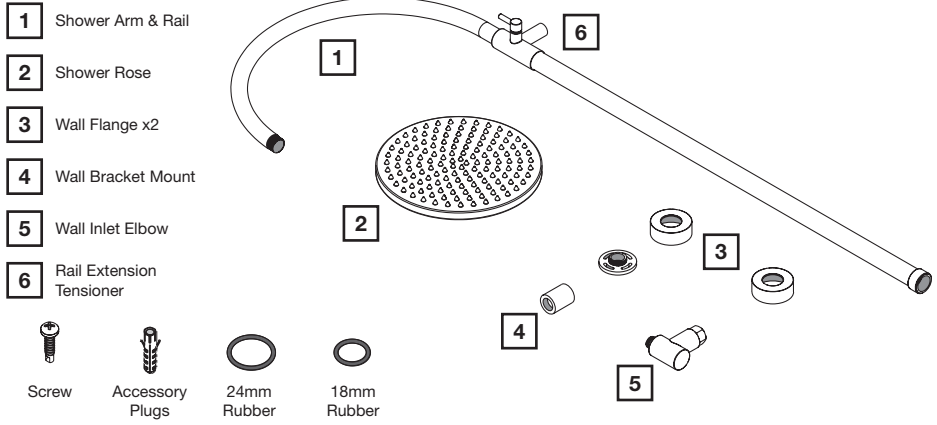


4. Screw the Shower Rose (2) to the Shower Arm (1) and tighten with a spanner



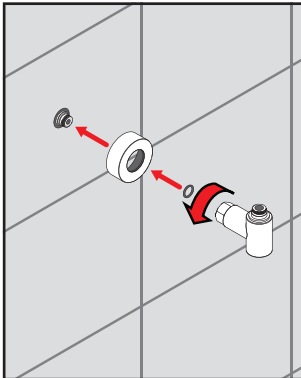
Exposed Wall Shower & Arm

Installation



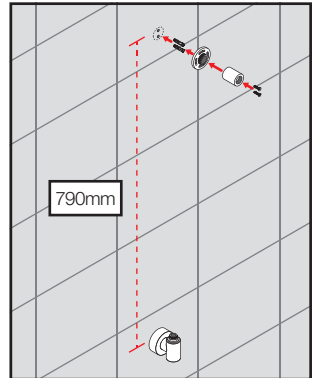
1. Insert 18mm Rubber, Water Slide the Flange (3) and Water Connection Elbow (5) to the 1/2 inch thread.

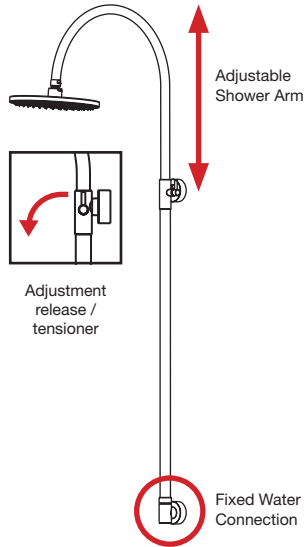
Use a spanner to tighten the connector (5) to the 1/2 inch thread



2. Measure 790mm from the middle of Wall Connection Elbow (3) to the Wall Bracket Mount (4).

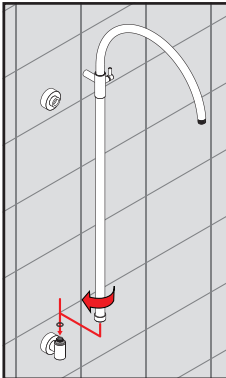
Then drill and screw in the Wall Bracket Mount (4) on the wall and slide in the Wall Flange (3) afterwards



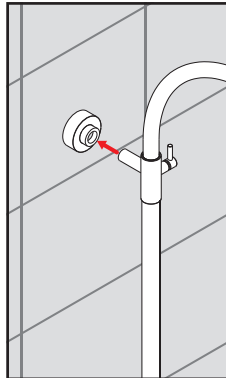


3. Insert 24mm rubber onto the Water Connection Elbow (5). Then screw the Shower Arm & Rail (1) onto the Connection Elbow (5).

Tighten with spanner

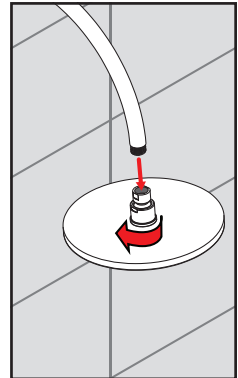


4. Push the Rail Extension Tensioner (6) into the Wall Bracket Mount (4) and tighten the grub screw to secure it



5. Screw the Shower Rose (2) to the Shower Arm (1) and tighten with a spanner

Check operation and leaks before use





P A R
TAPS



www.partaps.com



[/ParTapsPtyLtd](https://www.facebook.com/ParTapsPtyLtd)



[@par_taps](https://www.instagram.com/par_taps)