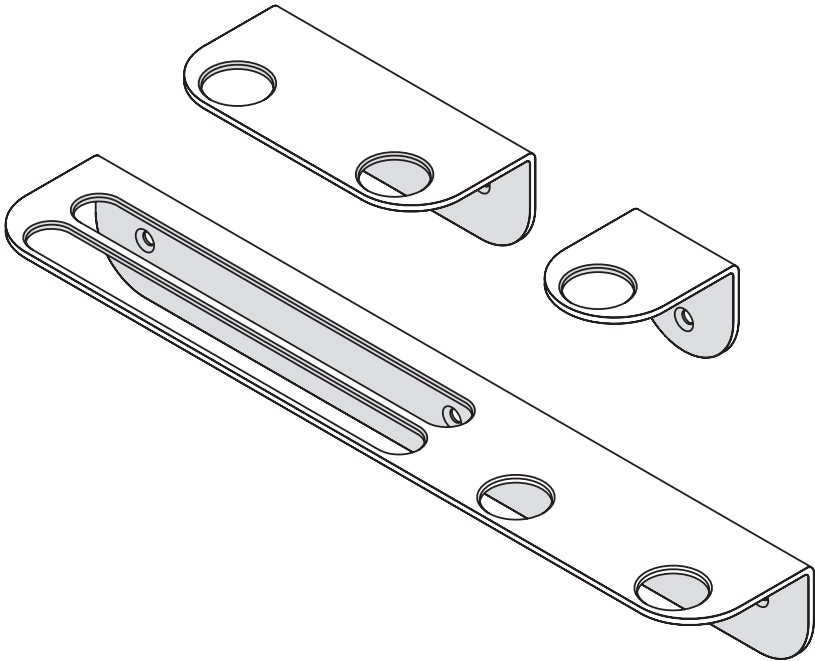




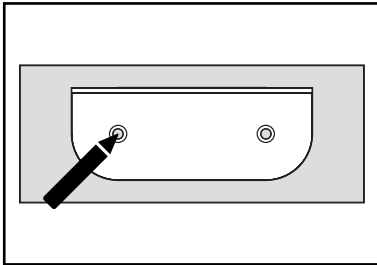
P A R
TAPS



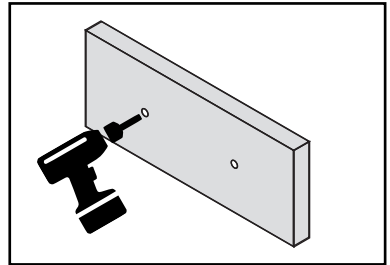
Lugano Wall Soap Dispenser Holder

Installation Guide

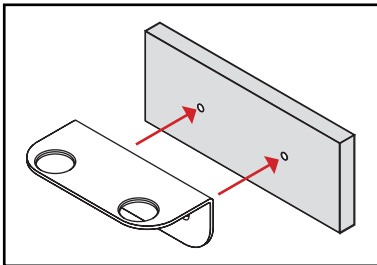
Soap Dispenser Holder



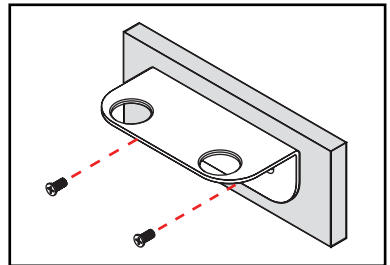
1. Mark the intended mounting points. Use the bracket holes as a template. Ensure it is positioned straight and levelled on the wall.



2. Drill the mounting holes



3. Align the soap dispenser holder to the wall and ready to insert the screws



4. Install screws and tighten to ensure the soap dispenser holder is secured

Product Depictions in this Guide

For illustrative purposes, Wall Double Soap Dispenser Holder have been featured in this guide. There will be variations in appearance between this guide and products ranges, but installation remains identical.



www.partaps.com



[/ParTapsPtyLtd](https://www.facebook.com/ParTapsPtyLtd)



[@par_taps](https://www.instagram.com/par_taps)