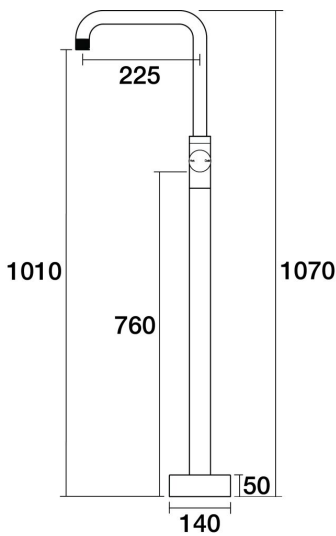




P A R
TAPS



IDK Floor Bath Filler Mixer - 90 Degree
A38.073.1.01 - Chrome

- Brass Construction
- 35mm Cartridge
- Swivel outlet
- Pushfit Installation
- Custom fitting see installation instructions
- Designed & Handcrafted in Australia

Finish Options

	Chrome	.01		Antique Bronze	.39
	Brushed Chrome	.02		Rumbled Brass	.40
	Gold	.11		Brushed Brass	.41
	Brushed Gold	.12		Brushed Copper	.42
	Brushed Brass Gold	.19		Brass	.43
	Brushed Rose Gold	.21		Antique Copper	.44
	Gunmetal	.23		Native Brass	.45
	Brushed Gunmetal	.24		Luminick	.47
	Brushed Nickel	.25		Copper	.48
	Black Sapphire	.26		Burnished	.52
	Satin Pearl	.27		Volcanic Grey	.54
	Midnight Black	.32		Matt Gold	.56
	Matt Black	.34		Matt Nickel	.57
	Brass Gold	.38		Vintage Brass	.67

For additional finishes or bespoke options, visit [our website](#) or [contact us](#).